

DEWALT[®]

XR[®]

www.DEWALT.com

DCS491
DCS496

English (**original instructions**)

4

Русский (*перевод с оригинала инструкции*)

14

Українська (*переклад з оригінальної інструкції*)

29

Fig. A

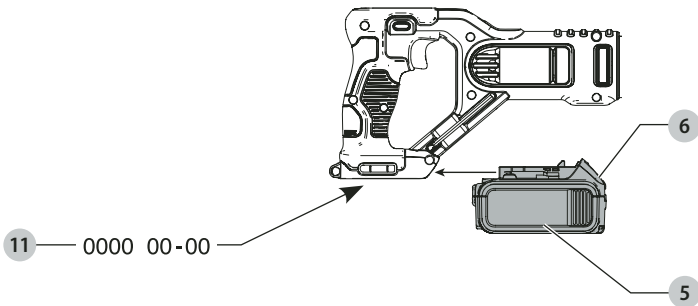
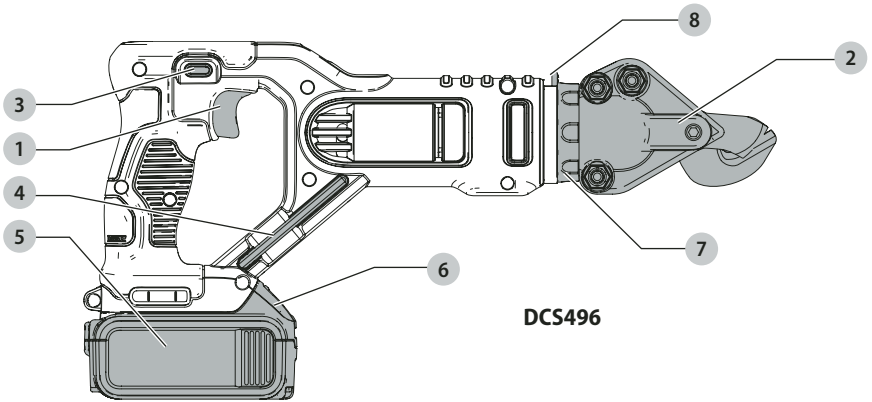
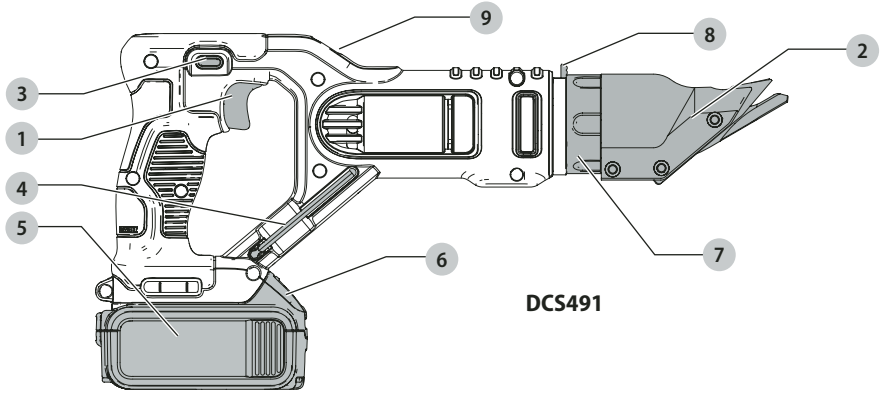


Fig. B

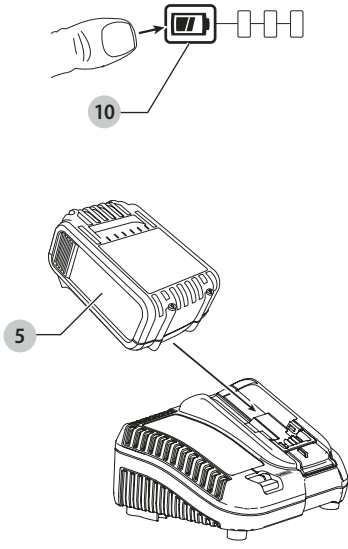


Fig. C

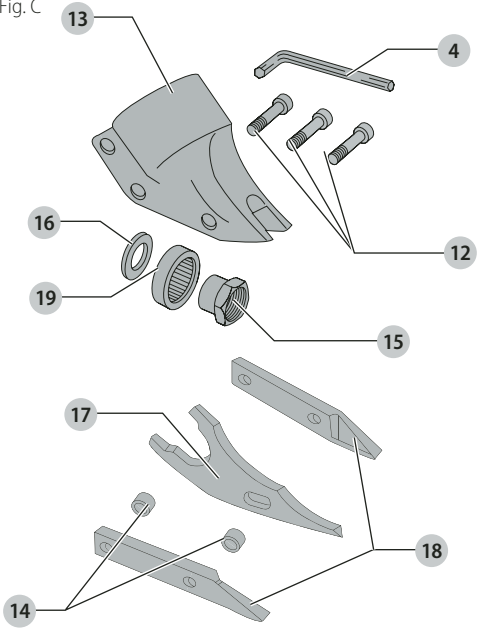


Fig. D

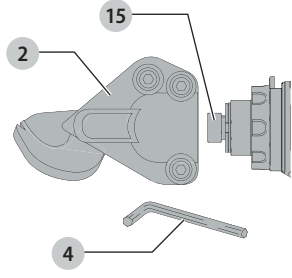


Fig. E

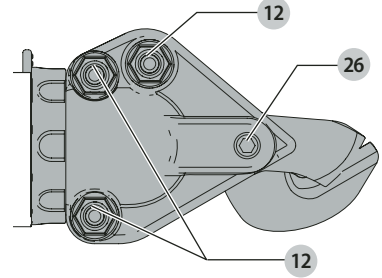


Fig. F

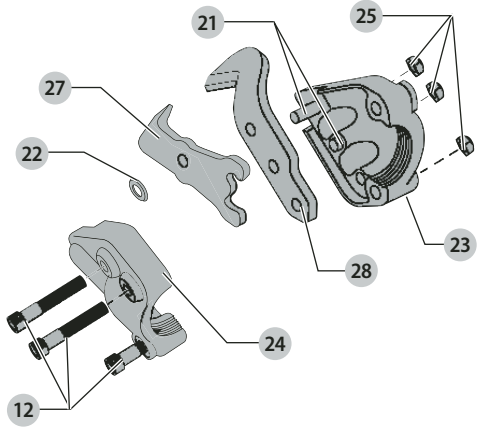


Fig. G

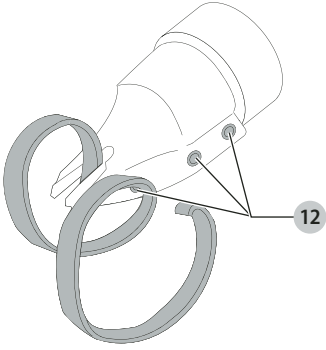


Fig. H

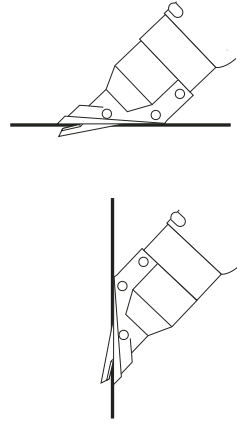
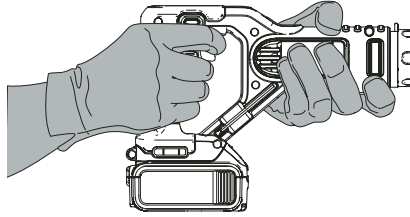


Fig. I



CORDLESS SWIVEL HEAD SHEARS

DCS491, DCS496

Congratulations!

You have chosen a DEWALT tool. Years of experience, thorough product development and innovation make DEWALT one of the most reliable partners for professional power tool users.

Technical Data

		DCS491	DCS496
Voltage	V _{DC}	18	18
Type		1	1
Battery type		Li-Ion	Li-Ion
Maximum cutting capacity	mm	1.3	1.3
Weight (without battery pack)	kg	1.8	1.5
Noise values and/or vibration values (triax vector sum) according to EN62841-2-8:			
L _{PA} (emission sound pressure level)	dB(A)	70	81
L _{WA} (sound power level)	dB(A)	81	89
K (uncertainty for the given sound level)	dB(A)	3	3
Vibration emission value a _h =	m/s ²	5	8.7
Uncertainty K =	m/s ²	1.7	1.5

The vibration and/or noise emission level given in this information sheet has been measured in accordance with a standardised test given in EN62841 and may be used to compare one tool with another. It may be used for a preliminary assessment of exposure.



WARNING: *The declared vibration and/or noise emission level represents the main applications of the tool. However if the tool is used for different applications, with different accessories or poorly maintained, the vibration and/or noise emission may differ. This may significantly increase the exposure level over the total working period.*

An estimation of the level of exposure to vibration and/or noise should also take into account the times when the tool is switched off or when it is running but not actually doing the job. This may significantly reduce the exposure level over the total working period.

Identify additional safety measures to protect the operator from the effects of vibration and/or noise such as: maintain the tool and the accessories, keep the hands warm (relevant for vibration), organisation of work patterns.

EC-Declaration of Conformity

Machinery Directive



Cordless Swivel Head Shears DCS491, DCS496

DEWALT declares that these products described under **Technical Data** are in compliance with: 2006/42/EC, EN62841-1:2015, EN62841-2-8:2016.

These products also comply with Directive 2014/30/EU and 2011/65/EU. For more information, please contact DEWALT at the following address or refer to the back of the manual.

The undersigned is responsible for compilation of the technical file and makes this declaration on behalf of DEWALT.

Markus Rompel
Vice President of Engineering, PTE-Europe
DEWALT, Richard-Klinger-Straße 11,
65510, Idstein, Germany
22.08.2022

Batteries				Chargers/Charge Times (Minutes)***									
Cat #	V _{DC}	Ah	Weight (kg)	DCB104	DCB107	DCB112/ DCB1102	DCB113	DCB115/ DCB1104	DCB116	DCB117	DCB118	DCB132	DCB119
DCB546	18/54	6.0/2.0	1.08	60	270	170	140	90	80	40	60	90	X
DCB547/G	18/54	9.0/3.0	1.46	75*	420	270	220	135*	110*	60	75*	135*	X
DCB548	18/54	12.0/4.0	1.46	120	540	350	300	180	150	80	120	180	X
DCB549	18/54	15.0/5.0	2.12	125	730	450	380	230	170	90	125	230	X
DCB181	18	1.5	0.35	22	70	45	35	22	22	22	22	22	45
DCB182	18	4.0	0.61	60/40**	185	120	100	60	60/45**	60/40**	60/40**	60	120
DCB183/B/G	18	2.0	0.40	30	90	60	50	30	30	30	30	30	60
DCB184/B/G	18	5.0	0.62	75/50**	240	150	120	75	75/60**	75/50**	75/50**	75	150
DCB185	18	1.3	0.35	22	60	40	30	22	22	22	22	22	40
DCB187	18	3.0	0.54	45	140	90	70	45	45	45	45	45	90
DCB189	18	4.0	0.54	60	185	120	100	60	60	60	60	60	120
DCBP034/G	18	1.7	0.32	27	82	50	40	27	27	27	27	27	50
DCBP518/G	18	5.0	0.75	50	240	150	120	75	60	50	50	75	150

*Date code 201811475B or later.

**Date code 201536 or later.

***Battery charge times matrix provided for guidance only; charge times will vary depending on temperature and condition of batteries.

DECLARATION OF CONFORMITY
THE SUPPLY OF MACHINERY (SAFETY)
REGULATIONS 2008

Cordless Swivel Head Shears
DCS491, DCS496

DEWALT declares that these products described under "technical data" are in compliance with:

The Supply of Machinery (Safety) Regulations, 2008, S.I. 2008/1597 (as amended),

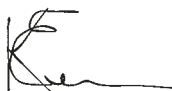
2006/42/EC, EN62841-1:2015, EN62841-2-8:2016.

These products also conform to the following UK Regulations: Electromagnetic Compatibility Regulations, 2016, S.I.2016/1091 (as amended).

The Restriction of the Use of Certain Hazardous Substances in Electrical and Electronic Equipment Regulations 2012, S.I. 2012/3032 (as amended).

For more information, please contact DEWALT at the following address or refer to the back of the manual.

The undersigned is responsible for compilation of the technical file and makes this declaration on behalf of DEWALT.



Karl Evans
Vice President Professional Power Tools EANZ GTS
DEWALT UK
270 Bath Road, Slough

Berkshire SL1 4DX
England
22.08.2022



WARNING: To reduce the risk of injury, read the instruction manual.

Definitions: Safety Guidelines

The definitions below describe the level of severity for each signal word. Please read the manual and pay attention to these symbols.



DANGER: Indicates an imminently hazardous situation which, if not avoided, **will** result in **death or serious injury**.



WARNING: Indicates a potentially hazardous situation which, if not avoided, **could** result in **death or serious injury**.



CAUTION: Indicates a potentially hazardous situation which, if not avoided, **may** result in **minor or moderate injury**.

NOTICE: Indicates a practice **not related to personal injury** which, if not avoided, **may** result in **property damage**.



DENOTES RISK OF ELECTRIC SHOCK.



DENOTES RISK OF FIRE.

GENERAL POWER TOOL SAFETY WARNINGS



WARNING: Read all safety warnings, instructions, illustrations and specifications provided with this power tool. Failure to follow all instructions listed below may result in electric shock, fire and/or serious injury.

SAVE ALL WARNINGS AND INSTRUCTIONS FOR FUTURE REFERENCE.

The term "power tool" in the warnings refers to your mains-operated (corded) power tool or battery-operated (cordless) power tool.

1) Work Area Safety

- a) **Keep work area clean and well lit.** Cluttered or dark areas invite accidents.
- b) **Do not operate power tools in explosive atmospheres, such as in the presence of flammable liquids, gases or dust.** Power tools create sparks which may ignite the dust or fumes.
- c) **Keep children and bystanders away while operating a power tool.** Distractions can cause you to lose control.

2) Electrical Safety

- a) **Power tool plugs must match the outlet. Never modify the plug in any way. Do not use any adapter plugs with earthed (grounded) power tools.** Unmodified plugs and matching outlets will reduce risk of electric shock.
- b) **Avoid body contact with earthed or grounded surfaces such as pipes, radiators, ranges and refrigerators.** There is an increased risk of electric shock if your body is earthed or grounded.
- c) **Do not expose power tools to rain or wet conditions.** Water entering a power tool will increase the risk of electric shock.
- d) **Do not abuse the cord. Never use the cord for carrying, pulling or unplugging the power tool. Keep cord away from heat, oil, sharp edges or moving parts.** Damaged or entangled cords increase the risk of electric shock.
- e) **When operating a power tool outdoors, use an extension cord suitable for outdoor use.** Use of a cord suitable for outdoor use reduces the risk of electric shock.
- f) **If operating a power tool in a damp location is unavoidable, use a residual current device (RCD) protected supply.** Use of an RCD reduces the risk of electric shock.

3) Personal Safety

- a) **Stay alert, watch what you are doing and use common sense when operating a power tool. Do not use a power tool while you are tired or under the influence of drugs, alcohol or medication.** A moment of inattention while operating power tools may result in serious personal injury.
- b) **Use personal protective equipment. Always wear eye protection.** Protective equipment such as a dust mask, non-skid safety shoes, hard hat or hearing protection used for appropriate conditions will reduce personal injuries.
- c) **Prevent unintentional starting. Ensure the switch is in the off-position before connecting to power source and/or battery pack, picking up or carrying the tool.** Carrying power tools with your finger on the switch or energising power tools that have the switch on invites accidents.

- d) **Remove any adjusting key or wrench before turning the power tool on.** A wrench or a key left attached to a rotating part of the power tool may result in personal injury.
- e) **Do not overreach. Keep proper footing and balance at all times.** This enables better control of the power tool in unexpected situations.
- f) **Dress properly. Do not wear loose clothing or jewellery. Keep your hair and clothing away from moving parts.** Loose clothes, jewellery or long hair can be caught in moving parts.
- g) **If devices are provided for the connection of dust extraction and collection facilities, ensure these are connected and properly used.** Use of dust collection can reduce dust-related hazards.
- h) **Do not let familiarity gained from frequent use of tools allow you to become complacent and ignore tool safety principles.** A careless action can cause severe injury within a fraction of a second.

4) Power Tool Use and Care

- a) **Do not force the power tool. Use the correct power tool for your application.** The correct power tool will do the job better and safer at the rate for which it was designed.
- b) **Do not use the power tool if the switch does not turn it on and off.** Any power tool that cannot be controlled with the switch is dangerous and must be repaired.
- c) **Disconnect the plug from the power source and/or remove the battery pack, if detachable, from the power tool before making any adjustments, changing accessories, or storing power tools.** Such preventive safety measures reduce the risk of starting the power tool accidentally.
- d) **Store idle power tools out of the reach of children and do not allow persons unfamiliar with the power tool or these instructions to operate the power tool.** Power tools are dangerous in the hands of untrained users.
- e) **Maintain power tools and accessories. Check for misalignment or binding of moving parts, breakage of parts and any other condition that may affect the power tool's operation. If damaged, have the power tool repaired before use.** Many accidents are caused by poorly maintained power tools.
- f) **Keep cutting tools sharp and clean.** Properly maintained cutting tools with sharp cutting edges are less likely to bind and are easier to control.
- g) **Use the power tool, accessories and tool bits, etc. in accordance with these instructions, taking into account the working conditions and the work to be performed.** Use of the power tool for operations different from those intended could result in a hazardous situation.
- h) **Keep handles and grasping surfaces dry, clean and free from oil and grease.** Slippery handles and grasping surfaces do not allow for safe handling and control of the tool in unexpected situations.

5) Battery Tool Use and Care

- a) **Recharge only with the charger specified by the manufacturer.** A charger that is suitable for one type of battery pack may create a risk of fire when used with another battery pack.
- b) **Use power tools only with specifically designated battery packs.** Use of any other battery packs may create a risk of injury and fire.
- c) **When battery pack is not in use, keep it away from other metal objects, like paper clips, coins, keys, nails, screws or other small metal objects, that can make a connection from one terminal to another.** Shorting the battery terminals together may cause burns or a fire.
- d) **Under abusive conditions, liquid may be ejected from the battery; avoid contact. If contact accidentally occurs, flush with water. If liquid contacts eyes, additionally seek medical help.** Liquid ejected from the battery may cause irritation or burns.
- e) **Do not use a battery pack or tool that is damaged or modified.** Damaged or modified batteries may exhibit unpredictable behaviour resulting in fire, explosion or risk of injury.
- f) **Do not expose a battery pack or tool to fire or excessive temperature.** Exposure to fire or temperature above 130 °C may cause explosion.
- g) **Follow all charging instructions and do not charge the battery pack or tool outside the temperature range specified in the instructions.** Charging improperly or at temperatures outside the specified range may damage the battery and increase the risk of fire.

6) Service

- a) **Have your power tool serviced by a qualified repair person using only identical replacement parts.** This will ensure that the safety of the power tool is maintained.
- b) **Never service damaged battery packs.** Service of battery packs should only be performed by the manufacturer or authorized service providers.

Additional Specific Safety Instructions for Shears

- **Hold power tool by insulated gripping surfaces, when performing an operation where the cutting accessory may contact hidden wiring.** Cutting accessory contacting a "live" wire may make exposed metal parts of the power tool "live" and could give the operator an electric shock.
- **Cut material at or below rated capacity.**
- **NEVER have any part of your body near the blades.** Serious personal injury may result.
- **Keep hands away from cutting area.** A moment of inattention while operating power tools may result in serious personal injury.
- **ALWAYS wear gloves when handling sheet metal.** The edges are sharp and can cause serious personal injury.
- **Firmly secure the piece of metal to be cut to prevent movement during cutting.**
- **ALWAYS start tool before engaging material to be cut.**

- **ALWAYS use tool with curl deflector.**
- **If possible, cut material so scrap curl is to the right.** This direction will move curl down and out of the way.
- **Use shears upright.** If tool is upside down, metal curl may turn toward you.
- **DO NOT use the shear with any kind of accessory or attachment.**
- **Always wear safety shoes** to protect your feet from sharp metal debris on the floor.
- **Keep all screws tight.** Check periodically for loosening.
- **Do not place anything into the motor housing openings.**
- **Clean out your tool often, especially after heavy use.** Dust and grit containing metal particles often accumulate on interior surfaces and could create an electric shock hazard.
- **Stay clear of end pieces that may fall after being cut off.** Contact with a sharp edge could result in personal injury.

Residual Risks

In spite of the application of the relevant safety regulations and the implementation of safety devices, certain residual risks cannot be avoided. These are:

- Impairment of hearing.
- Risk of personal injury due to flying particles.
- Risk of burns due to accessories becoming hot during operation.
- Risk of personal injury due to prolonged use.

SAVE THESE INSTRUCTIONS

Chargers

DEWALT chargers require no adjustment and are designed to be as easy as possible to operate.

Electrical Safety

The electric motor has been designed for one voltage only. Always check that the battery pack voltage corresponds to the voltage on the rating plate. Also make sure that the voltage of your charger corresponds to that of your mains.



Your DEWALT charger is double insulated in accordance with EN60335; therefore no earth wire is required.

If the supply cord is damaged, it must be replaced only by DEWALT or an authorised service organisation.

Mains Plug Replacement (U.K. & Ireland Only)

If a new mains plug needs to be fitted:

- Safely dispose of the old plug.
- Connect the brown lead to the live terminal in the plug.
- Connect the blue lead to the neutral terminal.



WARNING: No connection is to be made to the earth terminal.

Follow the fitting instructions supplied with good quality plugs. Recommended fuse: 3 A.

Using an Extension Cable

An extension cord should not be used unless absolutely necessary. Use an approved extension cable suitable for

the power input of your charger (see **Technical Data**). The minimum conductor size is 1.5 mm²; the maximum length is 30 m.

When using a cable reel, always unwind the cable completely.

Important Safety Instructions for All Battery Chargers

SAVE THESE INSTRUCTIONS: This manual contains important safety and operating instructions for compatible battery chargers (refer to **Technical Data**).

- Before using charger, read all instructions and cautionary markings on charger, battery pack, and product using battery pack.



WARNING: Shock hazard. Do not allow any liquid to get inside charger. Electric shock may result.



WARNING: We recommend the use of a residual current device with a residual current rating of 30mA or less.



CAUTION: Burn hazard. To reduce the risk of injury, charge only DEWALT rechargeable batteries. Other types of batteries may burst causing personal injury and damage.



CAUTION: Children should be supervised to ensure that they do not play with the appliance.

NOTICE: Under certain conditions, with the charger plugged into the power supply, the exposed charging contacts inside the charger can be shorted by foreign material. Foreign materials of a conductive nature such as, but not limited to, steel wool, aluminum foil or any buildup of metallic particles should be kept away from charger cavities. Always unplug the charger from the power supply when there is no battery pack in the cavity. Unplug charger before attempting to clean

- **DO NOT attempt to charge the battery pack with any chargers other than the ones in this manual.** The charger and battery pack are specifically designed to work together.
- **These chargers are not intended for any uses other than charging DEWALT rechargeable batteries.** Any other uses may result in risk of fire, electric shock or electrocution.
- **Do not expose charger to rain or snow.**
- **Pull by plug rather than cord when disconnecting charger.** This will reduce risk of damage to electric plug and cord.
- **Make sure that cord is located so that it will not be stepped on, tripped over, or otherwise subjected to damage or stress.**
- **Do not use an extension cord unless it is absolutely necessary.** Use of improper extension cord could result in risk of fire, electric shock, or electrocution.
- **Do not place any object on top of charger or place the charger on a soft surface that might block the ventilation slots and result in excessive internal heat.** Place the charger in a position away from any heat source. The charger is ventilated through slots in the top and the bottom of the housing.
- **Do not operate charger with damaged cord or plug—** have them replaced immediately.

- **Do not operate charger if it has received a sharp blow, been dropped, or otherwise damaged in any way.** Take it to an authorised service centre.
- **Do not disassemble charger; take it to an authorised service centre when service or repair is required.** Incorrect reassembly may result in a risk of electric shock, electrocution or fire.
- *In case of damaged power supply cord the supply cord must be replaced immediately by the manufacturer, its service agent or similar qualified person to prevent any hazard.*
- **Disconnect the charger from the outlet before attempting any cleaning. This will reduce the risk of electric shock.** Removing the battery pack will not reduce this risk.
- **NEVER attempt to connect two chargers together.**
- **The charger is designed to operate on standard 230V household electrical power. Do not attempt to use it on any other voltage.** This does not apply to the vehicular charger.

Charging a Battery (Fig. A, B)

1. Plug the charger into an appropriate outlet before inserting battery pack.
2. Insert the battery pack **5** into the charger, making sure the battery pack is fully seated in the charger. The red (charging) light will blink repeatedly indicating that the charging process has started.
3. The completion of charge will be indicated by the red light remaining ON continuously. The battery pack is fully charged and may be used at this time or left in the charger. To remove the battery pack from the charger, push the battery release button **6** on the battery pack.

NOTE: To ensure maximum performance and life of lithium-ion battery packs, charge the battery pack fully before first use.

Charger Operation

Refer to the indicators below for the charge status of the battery pack.

Charge Indicators		
	Charging	
	Fully Charged	
	Hot/Cold Pack Delay*	

*The red light will continue to blink, but a yellow indicator light will be illuminated during this operation. Once the battery pack has reached an appropriate temperature, the yellow light will turn off and the charger will resume the charging procedure.

The compatible charger(s) will not charge a faulty battery pack. The charger will indicate faulty battery by refusing to light.

NOTE: This could also mean a problem with a charger.

If the charger indicates a problem, take the charger and battery pack to be tested at an authorised service centre.

Hot/Cold Pack Delay

When the charger detects a battery pack that is too hot or too cold, it automatically starts a Hot/Cold Pack Delay, suspending charging until the battery pack has reached an appropriate temperature. The charger then automatically switches to the pack charging mode. This feature ensures maximum battery pack life.

A cold battery pack will charge at a slower rate than a warm battery pack. The battery pack will charge at that slower rate throughout the entire charging cycle and will not return to maximum charge rate even if the battery pack warms.

The DCB118 charger is equipped with an internal fan designed to cool the battery pack. The fan will turn on automatically when the battery pack needs to be cooled. Never operate the charger if the fan does not operate properly or if ventilation slots are blocked. Do not permit foreign objects to enter the interior of the charger.

Electronic Protection System

XR Li-Ion tools are designed with an Electronic Protection System that will protect the battery pack against overloading, overheating or deep discharge.

The tool will automatically turn off if the Electronic Protection System engages. If this occurs, place the lithium-ion battery pack on the charger until it is fully charged.

Wall Mounting

These chargers are designed to be wall mountable or to sit upright on a table or work surface. If wall mounting, locate the charger within reach of an electrical outlet, and away from a corner or other obstructions which may impede air flow. Use the back of the charger as a template for the location of the mounting screws on the wall. Mount the charger securely using drywall screws (purchased separately) at least 25.4 mm long with a screw head diameter of 7–9 mm, screwed into wood to an optimal depth leaving approximately 5.5 mm of the screw exposed. Align the slots on the back of the charger with the exposed screws and fully engage them in the slots.

Charger Cleaning Instructions



WARNING: Shock hazard. Disconnect the charger from the AC outlet before cleaning. Dirt and grease may be removed from the exterior of the charger using a cloth or soft non-metallic brush. Do not use water or any cleaning solutions. Never let any liquid get inside the tool; never immerse any part of the tool into a liquid.

Battery Packs

Important Safety Instructions for All Battery Packs

When ordering replacement battery packs, be sure to include catalogue number and voltage.

The battery pack is not fully charged out of the carton. Before using the battery pack and charger, read the safety instructions below. Then follow charging procedures outlined.

READ ALL INSTRUCTIONS

- **Do not charge or use battery in explosive atmospheres, such as in the presence of flammable liquids, gases or dust.** Inserting or removing the battery from the charger may ignite the dust or fumes.
- **Never force battery pack into charger. Do not modify battery pack in any way to fit into a non-compatible charger as battery pack may rupture causing serious personal injury.**
- Charge the battery packs only in DeWALT chargers.
- **DO NOT splash or immerse in water or other liquids.**
- **Do not store or use the tool and battery pack in locations where the temperature may fall below 4 °C (34 °F) (such as outside sheds or metal buildings in winter), or reach or exceed 40 °C (104 °F) (such as outside sheds or metal buildings in summer).**
- **Do not incinerate the battery pack even if it is severely damaged or is completely worn out.** The battery pack can explode in a fire. Toxic fumes and materials are created when lithium-ion battery packs are burned.
- **If battery contents come into contact with the skin, immediately wash area with mild soap and water.** If battery liquid gets into the eye, rinse water over the open eye for 15 minutes or until irritation ceases. If medical attention is needed, the battery electrolyte is composed of a mixture of liquid organic carbonates and lithium salts.
- **Contents of opened battery cells may cause respiratory irritation.** Provide fresh air. If symptoms persists, seek medical attention.



WARNING: Burn hazard. Battery liquid may be flammable if exposed to spark or flame.



WARNING: Never attempt to open the battery pack for any reason. If battery pack case is cracked or damaged, do not insert into charger. Do not crush, drop or damage battery pack. Do not use a battery pack or charger that has received a sharp blow, been dropped, run over or damaged in any way (i.e., pierced with a nail, hit with a hammer, stepped on). Electric shock or electrocution may result. Damaged battery packs should be returned to service centre for recycling.



WARNING: Fire hazard. Do not store or carry the battery pack so that metal objects can contact exposed battery terminals. For example, do not place the battery pack in aprons, pockets, tool boxes, product kit boxes, drawers, etc., with loose nails, screws, keys, etc.



CAUTION: When not in use, place tool on its side on a stable surface where it will not cause a tripping or falling hazard. Some tools with large battery packs will stand upright on the battery pack but may be easily knocked over.

Transportation



WARNING: Fire hazard. Transporting batteries can possibly cause fire if the battery terminals inadvertently come in contact with conductive materials. When transporting batteries, make sure that the battery terminals are protected and well insulated from materials

that could contact them and cause a short circuit.

NOTE: Lithium-ion batteries should not be put in checked baggage.

DeWALT batteries comply with all applicable shipping regulations as prescribed by industry and legal standards which include UN Recommendations on the Transport of Dangerous Goods; International Air Transport Association (IATA) Dangerous Goods Regulations, International Maritime Dangerous Goods (IMDG) Regulations, and the European Agreement Concerning The International Carriage of Dangerous Goods by Road (ADR). Lithium-ion cells and batteries have been tested to section 38.3 of the UN Recommendations on the Transport of Dangerous Goods Manual of Tests and Criteria.

In most instances, shipping a DeWALT battery pack will be excepted from being classified as a fully regulated Class 9 Hazardous Material. In general, only shipments containing a lithium-ion battery with an energy rating greater than 100 Watt Hours (Wh) will require being shipped as fully regulated Class 9. All lithium-ion batteries have the Watt Hour rating marked on the pack. Furthermore, due to regulation complexities, DeWALT does not recommend air shipping lithium-ion battery packs alone regardless of Watt Hour rating. Shipments of tools with batteries (combo kits) can be air shipped as excepted if the Watt Hour rating of the battery pack is no greater than 100 Whr. Regardless of whether a shipment is considered excepted or fully regulated, it is the shipper's responsibility to consult the latest regulations for packaging, labeling/markings and documentation requirements.

The information provided in this section of the manual is provided in good faith and believed to be accurate at the time the document was created. However, no warranty, expressed or implied, is given. It is the buyer's responsibility to ensure that its activities comply with the applicable regulations.

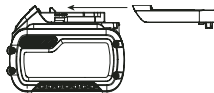
Transporting the FLEXVOLT™ Battery

The DeWALT FLEXVOLT™ battery has two modes: **Use** and **Transport**.

Use Mode: When the FLEXVOLT™ battery stands alone or is in a DeWALT 18V product, it will operate as an 18V battery. When the FLEXVOLT™ battery is in a 54V or a 108V (two 54V batteries) product, it will operate as a 54V battery.

Transport Mode: When the cap is attached to the FLEXVOLT™ battery, the battery is in Transport mode. Keep the cap for shipping.

When in Transport mode, strings of cells are electrically disconnected within the pack resulting in 3 batteries with a lower Watt hour (Wh) rating as compared to 1 battery with a higher Watt hour rating. This increased quantity of 3 batteries with the lower Watt hour rating can exempt the pack from certain shipping regulations that are imposed upon the higher Watt hour batteries.



For example, the Transport Wh rating might indicate 3 x 36 Wh, meaning

Example of Use and Transport Label Marking

	Use: 108 Wh
	Transport: 3x36 Wh

3 batteries of 36 Wh each. The Use Wh rating might indicate 108 Wh (1 battery implied).

Storage Recommendations

1. The best storage place is one that is cool and dry away from direct sunlight and excess heat or cold. For optimum battery performance and life, store battery packs at room temperature when not in use.
2. For long storage, it is recommended to store a fully charged battery pack in a cool, dry place out of the charger for optimal results.

NOTE: Battery packs should not be stored completely depleted of charge. The battery pack will need to be recharged before use.

Labels on Charger and Battery Pack

In addition to the pictographs used in this manual, the labels on the charger and the battery pack may show the following pictographs:



Read instruction manual before use.



See **Technical Data** for charging time.



Do not probe with conductive objects.



Do not charge damaged battery packs.



Do not expose to water.



Have defective cords replaced immediately.



Charge only between 4 °C and 40 °C.



Only for indoor use.



Discard the battery pack with due care for the environment.



Charge DeWALT battery packs only with designated DeWALT chargers. Charging battery packs other than the designated DeWALT batteries with a DeWALT charger may make them burst or lead to other dangerous situations.



Do not incinerate the battery pack.



USE (without transport cap). Example: Wh rating indicates 108 Wh (1 battery with 108 Wh).



TRANSPORT (with built-in transport cap). Example: Wh rating indicates 3 x 36 Wh (3 batteries of 36 Wh).

Battery Type

The DCS491 and DCS496 operate on an 18 volt or 54 volt battery pack.

These battery packs may be used: DCB181, DCB182, DCB183, DCB183B, DCB183G, DCB184, DCB184B, DCB184G, DCB185, DCB187, DCB189, DCBP034, DCBP518, DCB546, DCB547, DCB548, DCB549. Refer to **Technical Data** for more information.

Package Contents

The package contains:

- 1 Shear
- 1 Hex wrench
- 1 Instruction manual
- *Check for damage to the tool, parts or accessories which may have occurred during transport.*
- *Take the time to thoroughly read and understand this manual prior to operation.*

Markings on Tool

The following pictograms are shown on the tool:



Read instruction manual before use.



Wear ear protection.



Wear eye protection.



Visible radiation. Do not stare into light.



On/Lock-Off Control

Date Code Position (Fig. A)

The date code **11**, which also includes the year of manufacture, is printed into the housing.

Example:

2022 XX XX

Year of Manufacture

Description (Fig. A)



WARNING: Never modify the power tool or any part of it. Damage or personal injury could result.

- 1 Trigger switch/variable speed switch
- 2 Swivel head shear
- 3 On/Lock-off control button
- 4 Hex wrench
- 5 Battery pack
- 6 Battery release buttons
- 7 Rotating collar
- 8 Collar release button
- 9 LED worklight

Intended Use

These shears are designed for professional cutting of steel, aluminium (max 1.3 mm) and stainless steel (max 1.0 mm).

DO NOT use under wet conditions or in the presence of flammable liquids or gases.

These shears are professional power tools.

DO NOT let children come into contact with the tool.

Supervision is required when inexperienced operators use this tool.

- **Young children and the infirm.** This appliance is not intended for use by young children or infirm persons without supervision.
- This product is not intended for use by persons (including children) suffering from diminished physical, sensory or mental abilities; lack of experience, knowledge or skills unless they are supervised by a person responsible for their safety. Children should never be left alone with this product.

ASSEMBLY AND ADJUSTMENTS



WARNING: To reduce the risk of serious personal injury, turn tool off and disconnect battery pack before making any adjustments or removing/installing attachments or accessories. An accidental start-up can cause injury.



WARNING: Use only DEWALT battery packs and chargers.

Inserting and Removing the Battery Pack from the Tool (Fig. A)

NOTE: Make sure your battery pack **5** is fully charged.

To Install the Battery Pack into the Tool Handle

1. Align the battery pack **5** with the rails inside the tool's handle (Fig. A).
2. Slide it into the handle until the battery pack is firmly seated in the tool and ensure that you hear the lock snap into place.

To Remove the Battery Pack from the Tool

1. Press the release button **6** and firmly pull the battery pack out of the tool handle.
2. Insert battery pack into the charger as described in the charger section of this manual.

Fuel Gauge Battery Packs (Fig. B)

Some DEWALT battery packs include a fuel gauge which consists of three green LED lights that indicate the level of charge remaining in the battery pack.

To actuate the fuel gauge, press and hold the fuel gauge button **10**. A combination of the three green LED lights will illuminate designating the level of charge left. When the level of charge in the battery is below the usable limit, the fuel gauge will not illuminate and the battery will need to be recharged.

NOTE: The fuel gauge is only an indication of the charge left on the battery pack. It does not indicate tool functionality and is subject to variation based on product components, temperature and end-user application.

Remove and Replace Parts (Fig. A, C)

DCS491

To remove shear head from motor:

1. Loosen three cap screws **12** using the hex wrench **4** provided.
2. Remove shear head **2** by pulling head firmly forward.
NOTE: Slight twisting action may be required if head does not slide off easily.

To remove cutter blades from shear head:

1. Remove three cap screws **12** from shear housing **13**. Being careful not to lose rear spacer bushing when removing middle cap screw.
2. Remove centre blade **17** from housing by tapping blade gently towards the rear. The side knives **18** and side spacers **14** will now drop out of the housing.

To remove eccentric bearing assembly from shaft, use an appropriate wrench to loosen eccentric nut **15** by turning anti clockwise.

To install eccentric bearing assembly onto shaft, make sure the large, thin washer **16** is first inserted over shaft. Screw eccentric bearing assembly onto shaft and tighten with appropriate wrench. Lubricate bearing **19** with a good grade of bearing grease.

To install cutter blades into shear housing:

1. Place the side knives **18** and side spacers **14** into position in the shear housing **13**.
2. Insert centre cap screw through side knife and side spacer with rear spacer bushing between them.
3. Start cap screw into thread just enough to hold blades in place. **DO NOT TIGHTEN.**
4. Insert spacer bushing into hole in centre blade and lubricate.
5. Install centre blade into shear housing by tapping blade gently forward using a drift pin to line up hole in centre blade with forward holes in housing.
6. Insert and tighten forward cap screw making sure spacer bushing in centre blade stays in position.
7. Apply a good grade of bearing grease to blade assembly around middle cap screw/spacer bushing.
8. Insert rear cap screw into shear housing but do not completely tighten.

To install shear head assembly onto drive motor:

1. With all cap screws loosened by about 3 or 4 complete turns, place shear head onto unit. **NOTE:** It may be necessary to gently tap the shear head into place if it does not readily slip onto the nose of the power unit.
2. Tighten cap screws snugly to lock head assembly in place.

Remove and Replace Parts (Fig. A, D–F)

DCS496

To remove shear head from motor, loosen the two back cap screws **20** using the hex wrench **4** provided. Remove shear head **2** from the body by pulling head firmly forward. Slight twisting action may be required if head does not slide off easily.

To remove cutter blades from the shear head, completely loosen the two cap screws **12** closest to the collar (Fig. E) and remove shear head from motor unit. Loosen the tensioning screw **26** 1/2 turn. Completely loosen all three cap screws **12** and remove head assembly. Turn assembly over and remove top half of head and then remove the blades.

To replace blades, place lower jaw **28** onto two pins **20** (Fig. F). Apply a thin layer of grease from the packet (included) around the pin and on the top side of the blade. Place upper jaw **27** onto the pin. Apply the rest of the grease provided onto the eccentric nut **15** (Fig. D) on the output shaft of the motor unit and into the area behind the upper moving blade in the shear head.

Install replacement washer **22**, cone side up, over the pin on top of the moving blade. Place the top half of head **23** back onto bottom half **24**, making sure to align the pin to the hole. Reinstall all three cap screws **12** and nuts **25**, but **DO NOT** tighten completely.

Slide shear head back onto motor unit, making sure that the eccentric nut **15** engages the moving blade. Once the head is on the motor unit and aligned, tighten all three screws and follow adjustment procedure below.

To ensure proper blade tension, tighten tensioning screw **26** by turning clockwise to seat the blades. Next, loosen tensioning screw by turning anticlockwise slightly to allow blade movement.

NOTE: The tensioning screw should be adjusted to correspond to material thickness.

Swivel Head (Fig. A, G, H)

To better accommodate safe cutting at any angle, the shear head can be easily and quickly repositioned.



1. Press and hold the collar release button **8**.
2. Rotate the head and collar **7** to desired position.
3. Release the collar release button **8**.

NOTE: Continue rotating the head until it clicks into the nearest locking detent position.

To adjust the curl of waste material, the left side knife has elongated holes. Adjustment may be necessary after changing blades or material being cut. Loosen cap screws **12** and tap the side knife either forward or backward so that curl of waste does not hit the shear housing or work material while cutting.

OPERATION

Instructions for Use

-  **WARNING:** Always observe the safety instructions and applicable regulations.
-  **WARNING:** To reduce the risk of serious personal injury, turn tool off and disconnect battery pack before making any adjustments or removing/installing attachments or accessories. An accidental start-up can cause injury.

Proper Hand Position (Fig. I)

-  **WARNING:** To reduce the risk of serious personal injury, **ALWAYS** use proper hand position as shown.

 **WARNING:** To reduce the risk of serious personal injury, **ALWAYS** hold securely in anticipation of a sudden reaction.

Proper hand position requires one hand on the main handle, with the other hand on the body for stabilisation.

Variable Speed Switch (Fig. A)

To turn the tool ON, squeeze the trigger switch ❶. To turn the tool OFF release the trigger.

NOTE: The LED worklight ❷ will illuminate when the trigger is depressed.


Your tool is equipped with a variable speed switch which enables you to select the best speed for a particular application. The farther you squeeze the trigger, the faster the tool will operate. Use lower speeds for cutting tight curves or following precise guideline. Higher speeds are better for gradual curves and straight line cuts. For maximum tool life, use lower speeds only for short periods of time.


On/Lock-Off Control Button (Fig. A)

An On/Lock-Off control button ❸ serves as a lock-off button. To select the ON position, release the trigger switch and depress the control button on the right side of the tool. To select Locked/Off, depress the control button on the left side of the tool. When changing the position of the control button, be sure the trigger is released.

Shearing (Fig. D, E)

 **WARNING: Cut Hazard. NEVER have any part of your body near the blades.** Serious personal injury may occur.


 **WARNING: Cut Hazard. To reduce the risk of serious personal injury, DO NOT use the shear with any kind of accessory or attachment.**

 **WARNING: Cut Hazard.** Wear gloves when handling sheet metal. The edges are sharp and can cause serious personal injury.

For accurate work, always clamp or anchor the material to be cut. Line up one edge of the tool's middle blade with the cutting line and advance blades into the material without forced effort or unnecessary pressure. A little practice will enable you to determine what forward pressure gives you the smoothest cutting. It is important to keep the lower surfaces of the side blades flat on the material being cut. When cutting curves, do not tilt the tool; keep the side blades flat and level. The head of the shear will swivel to afford better access to the material. For best cutting efficiency, keep blades sharp.

MAINTENANCE

Your DEWALT power tool has been designed to operate over a long period of time with a minimum of maintenance. Continuous satisfactory operation depends upon proper tool care and regular cleaning.

 **WARNING:** To reduce the risk of serious personal injury, turn tool off and disconnect battery pack before making any adjustments or removing/installing attachments or accessories. An accidental start-up can cause injury.

The charger and battery pack are not serviceable.





Lubrication

Certain parts of the shears head assembly require lubrication with a high-quality grade bearing grease. Refer to **Remove and Replace Parts** for details.




Cleaning

 **WARNING:** Blow dirt and dust out of the main housing with dry air as often as dirt is seen collecting in and around the air vents. Wear approved eye protection and approved dust mask when performing this procedure.

 **WARNING:** Never use solvents or other harsh chemicals for cleaning the non-metallic parts of the tool. These chemicals may weaken the materials used in these parts. Use a cloth dampened only with water and mild soap. Never let any liquid get inside the tool; never immerse any part of the tool into a liquid.

Optional Accessories

 **WARNING:** Since accessories, other than those offered by DEWALT, have not been tested with this product, use of such accessories with this tool could be hazardous. To reduce the risk of injury, only DEWALT recommended accessories should be used with this product.

Consult your dealer for further information on the appropriate accessories.

Protecting the Environment



Products/batteries are recyclable, but if marked with the crossed-out bin, they must not be disposed of with normal household waste.

Run the batteries down completely and separate them, and separate any light sources from the product if possible. It is the user's responsibility to delete personal data from the product. Then take the waste to an official waste collection center or a participating retailer who will often accept it free of charge. Packaging should be discarded based on the marked material code. Operating and safety instructions should only be discarded once the applicable product is no longer in use. Please check with your local community/municipality for waste management guidance. For further information, visit www.2helpU.com and scan the above QR code.

БЕСПРОВОДНЫЕ ПОВОРОТНЫЕ ЛИСТОВЫЕ НОЖНИЦЫ DCS491, DCS496

Поздравляем!

Вы приобрели инструмент DeWALT. Многолетний опыт, тщательная разработка изделий и инновации делают компанию DeWALT одним из самых надежных партнеров для пользователей профессиональных электроинструментов.

Технические характеристики

		DCS491	DCS496
Напряжение	$V_{\text{пост. тока}}$	18	18
Тип		1	1
Тип батареи		Литий-ионная	Литий-ионная
Максимальная режущая способность (листовой металл)	мм	1,3	1,3
Вес (без аккумуляторной батареи)	кг	1,8	1,5
Значения шума и/или вибрации (сумма векторов в трех плоскостях) в соответствии с EN62841-2-8:			
L_{PA} (уровень звукового давления)	дБ(A)	70	81
L_{WA} (уровень акустической мощности)	дБ(A)	81	89
K (погрешность для заданного уровня мощности)	дБ(A)	3	3
Значение вибрационного воздействия $a_{H} =$	m/c^2	5	8,7
Погрешность K =	m/c^2	1,7	1,5

Значение воздействия вибрации и/или шума, указанное в данном справочном листке, было получено в соответствии со стандартным тестом, приведенным в EN62841, и может использоваться для сравнения инструментов. Кроме того, оно может использоваться для предварительной оценки воздействия вибрации.



ОСТОРОЖНО! Заявленное значение воздействия вибрации и/или шума относится к основным областям применения инструмента. Однако, если инструмент используется для различных целей, с различными дополнительными принадлежностями или при ненадлежащем уходе, то уровень шума и/или вибрации может измениться. Это может привести к значительному увеличению уровня воздействия вибрации в течение всего рабочего периода.

При расчете приблизительного значения уровня воздействия шума и/или вибрации также необходимо учитывать время, когда инструмент выключен или то время, которое он работает на холостом ходу. Это может привести к значительному снижению уровня воздействия вибрации в течение всего рабочего периода.

Определите дополнительные меры техники безопасности для защиты оператора от воздействия шума и/или вибрации, а именно: поддержание инструмента и дополнительных принадлежностей в рабочем состоянии, создание комфортных условий работы (соответствующих вибрации), хорошая организация рабочего места.

Декларация о соответствии нормам ЕС

Директива по машинам, механизмам и машинному оборудованию



**Беспроводные поворотные листовые ножницы
DCS491, DCS496**

DeWALT заявляет, что продукция, описанная в разделе «Технические характеристики», соответствует: 2006/42/EC, EN62841-1:2015, EN62841-2-8:2016.

Данные изделия также соответствуют Директивам 2014/30/EU и 2011/65/EU. За дополнительной информацией обращайтесь в компанию DeWALT по адресу, указанному ниже или приведенному на задней стороне обложки руководства.

Нижеподписавший несет ответственность за составление технической документации и составил данную декларацию по поручению компании DeWALT.

Маркус Ромпель
Вице-президент отдела по разработке и производству, PTE-Europe
DeWALT, Richard-Klinger-Straße 11,
65510, Idstein, Германия
22.08.2022

Батареи				Зарядные устройства/время зарядки (мин)***									
Кат. №	V _{пост. тока}	Ah	Вес (kg)	DCB104	DCB107	DCB112/ DCB1102	DCB113	DCB115/ DCB1104	DCB116	DCB117	DCB118	DCB132	DCB119
DCB546	18/54	6,0/2,0	1,08	60	270	170	140	90	80	40	60	90	X
DCB547/G	18/54	9,0/3,0	1,46	75*	420	270	220	135*	110*	60	75*	135*	X
DCB548	18/54	12,0/4,0	1,46	120	540	350	300	180	150	80	120	180	X
DCB549	18/54	15,0/5,0	2,12	125	730	450	380	230	170	90	125	230	X
DCB181	18	1,5	0,35	22	70	45	35	22	22	22	22	22	45
DCB182	18	4,0	0,61	60/40**	185	120	100	60	60/45**	60/40**	60/40**	60	120
DCB183/B/G	18	2,0	0,40	30	90	60	50	30	30	30	30	30	60
DCB184/B/G	18	5,0	0,62	75/50**	240	150	120	75	75/60**	75/50**	75/50**	75	150
DCB185	18	1,3	0,35	22	60	40	30	22	22	22	22	22	40
DCB187	18	3,0	0,54	45	140	90	70	45	45	45	45	45	90
DCB189	18	4,0	0,54	60	185	120	100	60	60	60	60	60	120
DCBP034/G	18	1,7	0,32	27	82	50	40	27	27	27	27	27	50
DCBP518/G	18	5,0	0,75	50	240	150	120	75	60	50	50	75	150

*Код даты 201811475В или новее

**Код даты 201536 или новее

***Таблица представлена только для справки; время зарядки может варьироваться.



ОСТОРОЖНО! Во избежание риска получения травм, прочитайте инструкцию по применению.

Определения: правила техники безопасности

Ниже описывается уровень опасности, обозначаемый каждым из предупреждений. Прочитайте руководство и обратите внимание на данные символы.



ОПАСНО! Обозначает чрезвычайно опасную ситуацию, которая, в случае несоблюдения соответствующих мер безопасности, **неизбежно приведет к серьезной травме или смертельному исходу.**



ОСТОРОЖНО! Указывает на потенциально опасную ситуацию, которая, в случае несоблюдения соответствующих мер безопасности, **может привести к серьезной травме или смертельному исходу.**



ВНИМАНИЕ! Указывает на потенциально опасную ситуацию, которая, в случае несоблюдения соответствующих мер безопасности, **может стать причиной получения травм средней или легкой степени тяжести.**

ПРИМЕЧАНИЕ. Указывает на практики, использование которых не связано с получением травмы, но если ими пренебречь, **могут привести к порче имущества.**



УКАЗЫВАЕТ НА РИСК ПОРАЖЕНИЯ ЭЛЕКТРИЧЕСКИМ ТОКОМ.



УКАЗЫВАЕТ НА РИСК ВОЗГОРАНИЯ.

ОБЩИЕ ПРАВИЛА ТЕХНИКИ БЕЗОПАСНОСТИ ПРИ ИСПОЛЬЗОВАНИИ ЭЛЕКТРОИНСТРУМЕНТОВ



ОСТОРОЖНО! Прочтите все правила техники безопасности, инструкции, иллюстрации и спецификации по данному электроинструменту. Несоблюдение всех нижеприведенных инструкций может привести к поражению электрическим током, пожару и/или серьезной травме.

СОХРАНИТЕ ВСЕ ИНСТРУКЦИИ ДЛЯ ПОСЛЕДУЮЩЕГО ИСПОЛЬЗОВАНИЯ.

Термин «электроинструмент» в предупреждениях относится к работающим от сети (проводным) электроинструментам или работающим от аккумуляторной батареи (беспроводным) электроинструментам.

1) Безопасность на рабочем месте

- Следите за чистой и хорошим освещением на рабочем месте.** Захламленное или плохо освещенное рабочее место может стать причиной несчастного случая.
- Запрещается работать с электроинструментами во взрывоопасных местах, например, вблизи легковоспламеняющихся жидкостей, газов и пыли.** Искры, которые появляются при работе электроинструментов могут привести к воспламенению пыли или паров.
- Следите за тем, чтобы во время работы с электроинструментом в зоне работы не было посторонних и детей.** Отвлекаясь от работы вы можете потерять контроль над инструментом.

2) Электробезопасность

- a) **Штепсельная вилка электроинструмента должна соответствовать розетке. Никогда не меняйте вилку устройства. Запрещается использовать переходники к вилкам для электроинструментов с заземлением.**
Использование оригинальных штепсельных вилок, соответствующих типу сетевой розетки снижает риск поражения электрическим током.
- b) **Избегайте контакта с заземленными поверхностями, такими как трубы, радиаторы и холодильники.** Если вы будете заземлены, увеличивается риск поражения электрическим током.
- c) **Запрещается оставлять электроинструмент под дождем и в местах повышенной влажности.**
Попадание воды в электроинструмент может привести к поражению электрическим током.
- d) **Берегите кабель от повреждений. Никогда не используйте кабель для переноски инструмента, не тяните за него, пытайтесь отключить инструмент от сети. Держите кабель подальше от источников тепла, масла, острых углов или движущихся предметов.**
Повреждение или запутывание кабеля питания повышает риск поражения электрическим током.
- e) **При работе с электроинструментом вне помещения необходимо пользоваться удлинителем, рассчитанным на эксплуатацию в соответствующих условиях.** Использование кабеля питания, предназначенного для использования вне помещения, снижает риск поражения электрическим током.
- f) **При работе с электроинструментом в условиях повышенной влажности недопустимо, используйте устройства защитного отключения (УЗО) для защиты сети.** Использование УЗО снижает риск поражения электрическим током.

3) Обеспечение индивидуальной безопасности

- a) **При работе с электроинструментом сохраняйте бдительность, следите за своими действиями и пользуйтесь здравым смыслом. Не работайте с электроинструментом, если вы устали, находитесь в состоянии наркотического, алкогольного опьянения или под воздействием лекарственных препаратов.** Невнимательность при работе с электроинструментом может привести к серьезным травмам.
- b) **Используйте средства индивидуальной защиты. Всегда надевайте защитные очки.**
Средства защиты, такие как пылезащитная маска, обувь с нескользящей подошвой, каска и защитные наушники, используемые при работе, уменьшают риск получения травм.

- c) **Примите меры для предотвращения случайного включения. Перед тем как подключить электроинструмент к сети и/или аккумуляторной батарее, возьмите инструмент или перенести его в другое место, убедитесь в том, что выключатель находится в положении «Выкл.».** Если при переноске электроинструмент оставлять подключенным к сети электропитания, и при этом ваш палец будет находиться на выключателе, это может стать причиной несчастных случаев.
- d) **Перед включением электроинструмента уберите заечные или инструментальные ключи.** Ключ, оставленный на вращающейся части электроинструмента, может травмировать.
- e) **Не пытайтесь дотянуться до slickкого удаленных поверхностей. Обувь должна быть удобной, чтобы вы всегда могли сохранять равновесие.** Это позволит лучше контролировать электроинструмент в непредвиденных ситуациях.
- f) **Одевайтесь соответствующим образом. Не носите свободную одежду и ювелирные украшения. Следите за тем, чтобы волосы и одежда не попадали под движущиеся детали.** Возможно наматывание свободной одежды, ювелирных изделий и длинных волос на движущиеся детали.
- g) **При наличии устройств для подсоединения оборудования для удаления и сбора пыли необходимо обеспечить правильность их подключения и эксплуатации.** Использование устройства для пылеудаления сокращает риски, связанные с пылью.
- h) **Не допускайте самонадеянности и игнорирования правил техники безопасности даже при большом опыте работы с инструментом.** Небрежное действие может стать причиной серьезной травмы за долю секунды.

4) Эксплуатация электроинструмента и уход за ним

- a) **Не прилагайте силу к электроинструменту. Используйте электроинструмент в соответствии с назначением.** Правильно подобранный электроинструмент выполнит работу более эффективно и безопасно при стандартной нагрузке.
- b) **Не пользуйтесь инструментом, если не работает выключатель.** Любой инструмент, управляемый выключением и включением которого невозможно, опасен, и его необходимо отремонтировать.
- c) **Перед выполнением любых настроек, сменой дополнительных принадлежностей или прежде чем убрать инструмент на хранение, отключите его от сети и/или снимите с него аккумуляторную батарею, если ее можно снять.** Такие превентивные

меры безопасности сокращают риск случайного включения электроинструмента.

- d) **Храните электроинструмент в недоступном для детей месте и не позволяйте работать с инструментом людям, не имеющим соответствующих навыков работы с такого рода инструментами.**

Электроинструмент представляет опасность в руках неопытных пользователей.

- e) **Поддерживайте электроинструмент и насадки в исправном состоянии. Проверьте, не нарушена ли центровка или не заклинены ли движущиеся детали, нет ли поврежденных или иных неисправностей, которые могли бы повлиять на работу электроинструмента. В случае обнаружения повреждений, прежде чем приступить к эксплуатации электроинструмента, его следует отремонтировать.** Большинство несчастных случаев происходит из-за электроинструментов, которые не обслуживаются должным образом.

- f) **Следите за тем, чтобы инструмент был заточен и чист.** Вероятность заклинивания инструмента, за которым следят должным образом и который хорошо заточен, значительно меньше, и работать с ним легче.

- g) **Используйте данный электроинструмент, а также дополнительные принадлежности и насадки инструмента в соответствии с данными инструкциями и с учетом условий и специфики работы.** Использование электроинструмента для работ, для которых он не предназначен, может привести к несчастным случаям.

- h) **Все рукоятки и поверхности захватывания должны быть сухими и без следов смазки.** Скользкие рукоятки и поверхности захватывания не позволяют обеспечить безопасность работы и управления инструментом в непредвиденных ситуациях.

5) Использование аккумуляторных электроинструментов и уход за ними

- a) **Используйте для зарядки аккумуляторной батареи только указанное производителем зарядное устройство.** Использование зарядного устройства определенного типа для зарядки других батарей может привести к возгоранию.
- b) **Используйте для электроинструмента только батареи указанного типа.** Использование других аккумуляторных батарей может стать причиной травмы и возгорания.
- c) **Оберегайте батарею от попадания в нее скрепок, монет, ключей, гвоздей, болтов или других мелких металлических предметов, которые могут вызывать замыкание контактов.** Короткое замыкание контактов аккумуляторной батареи может привести к пожару или ожогам.

- d) **Из поврежденной батареи может вытечь электролит. Не прикасайтесь к нему. При случайном контакте с электролитом смойте его водой. При попадании электролита в глаза обратитесь за медицинской помощью.** Жидкость, находящаяся внутри батареи, может вызвать раздражение или ожоги.
- e) **Не используйте поврежденные или измененные аккумуляторные батареи или инструменты.** Поврежденные или измененные аккумуляторные батареи могут работать непредсказуемо, что может привести к возгоранию, взрыву или риску получения травм.
- f) **Не подвергайте аккумуляторные батареи или инструмент воздействию огня или повышенной температуры.** Открытый огонь или воздействие высокой температуры выше 130 °C может привести к взрыву.
- g) **Следуйте всем инструкциям по зарядке и не заряжайте аккумуляторную батарею или инструмент вне температурного диапазона, указанного в инструкции.** Неправильная зарядка или зарядка вне указанного температурного диапазона может привести к повреждению батареи и увеличить риск возгорания.

6) Сервисное обслуживание

- a) **Обслуживание электроинструмента должно выполняться только квалифицированным техническим персоналом.** Это позволит обеспечить безопасность обслуживаемого инструмента.
- b) **Не выполняйте обслуживание поврежденных аккумуляторных батарей.** Обслуживание аккумуляторных батарей должно выполняться только производителем или авторизованными поставщиками услуг.

Дополнительные правила техники безопасности для листовых ножниц

- **Удерживайте инструмент за изолированные поверхности захватывания при выполнении работ, во время которых имеется вероятность контакта инструмента со скрытой электропроводкой.** При удерживании металлических деталей инструмента, в случае перерезания находящегося под напряжением провода возможно поражение оператора электрическим током.
- **Разрезайте материал с заявленной мощностью или ниже.**
- **НИКОГДА не допускайте нахождения какой-либо части тела рядом с лезвиями.** Это может привести к серьезной травме.
- **Держите руки подальше от зоны разреза.** Невнимательность при работе с электроинструментом может привести к серьезным травмам.

- **ВСЕГДА** надевайте перчатки при работе с листовым металлом. Концы заострены и могут причинить серьезные травмы.
- **Надежно закрепляйте разрезаемый металлический предмет** во избежание его перемещения во время резки.
- **ВСЕГДА** запускайте инструмент до касания разрезаемого материала.
- **ВСЕГДА** используйте инструмент вместе с устройством для направления стружки.
- **По возможности, разрезайте материал так, чтобы витки стружки уходили вправо.** Это направление будет смещать стружку вниз и не давать ей мешать работе.
- **Используйте ножницы вертикально.** Если инструмент перевернут, то металлическая стружка может повернуться в вашу сторону.
- **НЕ ИСПОЛЬЗУЙТЕ** ножницы вместе с какими-либо дополнительными принадлежностями или насадками.
- **Всегда носите защитную обувь** для защиты ног от острых металлических фрагментов на полу.
- **Держите все винты затянутыми.** Периодически проверяйте их на предмет ослабления.
- **Не** вставляйте что-либо в отверстия в корпусе электродвигателя.
- **Часто прочищайте инструмент, особенно после интенсивного использования.** На внутренних поверхностях часто оседают пыль и грязь, содержащие металлические частицы, что может создать опасность поражения электрическим током.
- **Держитесь подальше от концов деталей, которые могут упасть после отреза.** Соприкосновение с острым краем может привести к травме.

Остаточные риски

Несмотря на соблюдение соответствующих инструкций по технике безопасности и использование предохранительных устройств, некоторые остаточные риски невозможно полностью исключить. А именно:

- ухудшение слуха;
- риск травм от разлетающихся частиц;
- риск ожогов в результате нагревания инструмента в процессе работы;
- риск травмы в результате продолжительной работы.

СОХРАНИТЕ НАСТОЯЩЕЕ РУКОВОДСТВО

Зарядные устройства

Зарядные устройства DEWALT не требуют регулировки и максимально просты в использовании.

Электробезопасность

Электродвигатель рассчитан на работу только при одном напряжении сети. Необходимо обязательно убедиться в том, что напряжение источника питания соответствует указанному на паспортной табличке устройства. Необходимо также убедиться в том, что напряжение работы зарядного устройства соответствует напряжению в сети.



Зарядное устройство DEWALT оснащено двойной изоляцией в соответствии с требованиями EN60335; поэтому провод заземления не требуется.

Если поврежден кабель питания, его нужно заменить у DEWALT или в официальном сервисном центре.

Замена штепсельной вилки (только для Великобритании и Ирландии)

Если нужно установить сетевую вилку:

- осторожно снимите старую вилку;
- подсоедините коричневый провод к выводу фазы в вилке;
- подсоедините синий провод к нулевому выводу.



ОСТОРОЖНО! Заземление не требуется.

Соблюдайте инструкции по установке, поставляемые в комплекте к вилкам высокого качества. Рекомендованный предохранитель: 3 А.

Использование удлинительного кабеля

Используйте удлинительный кабель только в случае крайней необходимости. Используйте только утвержденные удлинители промышленного производства, рассчитанные на мощность не меньшую, чем потребляемая мощность зарядного устройства (см. раздел «**Технические характеристики**»). Минимальное поперечное сечение провода электрического кабеля должно составлять 1,5 мм², максимальная длина — 30 м.

При использовании кабельного барабана всегда полностью разматывайте кабель.

Важные инструкции по технике безопасности для всех зарядных устройств

СОХРАНИТЕ НАСТОЯЩЕЕ РУКОВОДСТВО. В данном руководстве содержатся важные инструкции по технике безопасности для совместимых зарядных устройств (см. **Технические характеристики**).

- *Перед тем как использовать зарядное устройство, внимательно изучите все инструкции и предупреджающие этикетки на зарядном устройстве, батарее и инструменте, для которого используется батарея.*



ОСТОРОЖНО! Опасность поражения электрическим током. Не допускайте попадания жидкости в зарядное устройство. Это может привести к поражению электрическим током.



ОСТОРОЖНО! Рекомендуется использовать устройство защитного отключения (УЗО) с током утечки до 30 мА.



ВНИМАНИЕ! Опасность ожога. Во избежание травм следует использовать только аккумуляторные батареи производства DEWALT. Использование батарей другого типа может привести к взрыву, травмам и повреждениям.



ВНИМАНИЕ! Не позволяйте детям играть с данным инструментом.

ПРИМЕЧАНИЕ. В определенных условиях, при подключении зарядного устройства к источнику

питания, может произойти короткое замыкание контактов внутри зарядного устройства контакторными материалами. Не допускайте попадания в полости зарядного устройства таких токопроводящих материалов, как стальная стружка, алюминиевая фольга или другие металлические частицы и т. п. Всегда отключайте зарядное устройство от источника питания, если в нем нет аккумуляторной батареи. Всегда отключайте зарядное устройство от сети перед тем, как приступить к очистке инструмента

- **НЕ ПЫТАЙТЕСЬ заряжать батареи с помощью каких-либо других зарядных устройств, кроме тех, которые указаны в данном руководстве.** Зарядное устройство и аккумуляторная батарея совместимы между собой.

- **Эти зарядные устройства не предназначены ни для какого другого использования, помимо зарядки аккумуляторных батарей DEWALT.** Использование любых других батарей может привести к возгоранию, поражению электротоком или гибели от электрического шока.

- **Не подвергайте зарядное устройство воздействию снега или дождя.**
- **Отсоединяя зарядное устройство, держите его за штекер, а не за провод.** Это поможет избежать повреждения штепсельной вилки и розетки.
- **Убедитесь в том, что кабель расположен таким образом, чтобы на него не наступили, не споткнулись об него, а также в том, что он не натянут и не может быть поврежден.**
- **Используйте удлинитель только при необходимости.** Использование удлинительного шнура неподходящего типа может привести к пожару или поражению электрическим током.

- **Не ставьте на зарядное устройство никакие предметы и не устанавливайте зарядное устройство на мягкую поверхность, которая может закрыть вентиляционные отверстия и привести к перегреву.** Не располагайте зарядное устройство поблизости от источников тепла. Вентиляция зарядного устройства происходит с помощью отверстий в верхней и нижней части корпуса.
- **Не используйте зарядное устройство, если кабель или штепсельная вилка повреждены** — их следует немедленно заменить.

- **Не используйте зарядное устройство, если оно подверглось удару, упало или было каким-либо образом повреждено.** Обратитесь в авторизованный сервисный центр.
- **Не разбирайте зарядное устройство; обратитесь в авторизованный сервисный центр для проведения обслуживания или ремонта.** Неправильная сборка может стать причиной пожара или поражения электрическим током.

- *В случае повреждения кабеля питания его необходимо немедленно заменить у производителя, в его сервисном центре или с привлечением другого специалиста аналогичной квалификации для предотвращения несчастного случая.*
- **Перед очисткой отсоединяйте зарядное устройство от розетки. Это снижает риск поражения электрическим током.** Извлечение аккумуляторной батареи не приведет к снижению степени этого риска.
- **НИКОГДА не подключайте два зарядных устройства вместе.**
- **Зарядное устройство предназначено для работы при стандартном напряжении сети в 230 В. Не пытайтесь использовать его с другим напряжением.** Это не относится к зарядному устройству для транспортных средств.

Зарядка батареи (рис. А, В)

1. Перед установкой батареи подключите зарядное устройство к соответствующей сетевой розетке.
2. Вставьте аккумуляторную батарею **5** в зарядное устройство, убедившись в том, что она хорошо установлена. Красный индикатор (зарядки) начнет мигать. Это означает, что процесс зарядки начался.
3. По окончании зарядки красный индикатор будет гореть непрерывно, не мигая. Теперь батарея полностью заряжена, и ее можно использовать или оставить в зарядном устройстве. Чтобы извлечь аккумуляторную батарею из зарядного устройства, нажмите и удерживайте кнопку фиксатора батареи **6** и извлеките ее.

ПРИМЕЧАНИЕ. Чтобы обеспечить максимальную производительность и срок службы ионно-литиевых батарей, перед первым использованием полностью зарядите аккумуляторную батарею.

Работа с зарядным устройством

См. схемы горения индикаторов ниже, чтобы узнать о состоянии заряда аккумуляторной батареи.

Индикаторы зарядки	
	Зарядка
	Полностью заряжен
	Температурная задержка*

*В это время красный индикатор продолжит мигать, а когда начнется зарядка, загорится желтый. Когда аккумуляторная батарея нагреется до подходящей температуры, желтый индикатор погаснет, и зарядное устройство продолжит процесс зарядки.

Совместимое зарядное устройство (-а) не будет заряжать неисправную аккумуляторную батарею. Не загорющийся индикатор на зарядном устройстве указывает на неисправность аккумуляторной батареи.

ПРИМЕЧАНИЕ. Также это может указывать на проблему с зарядным устройством.

Если зарядное устройство указывает на наличие проблемы, отнесите зарядное устройство и аккумуляторную батарею в авторизованный сервисный центр для тестирования.

Температурная задержка

Если зарядное устройство определит, что аккумуляторная батарея чрезмерно охлаждена или нагрета, автоматически инициируется пауза для согревания/охлаждения, в течение которой батарея достигает оптимальной для зарядки температуры. Затем зарядное устройство автоматически переключается на режим зарядки. Данная функция увеличивает максимальный срок службы аккумуляторной батареи.

Зарядка холодной батареи занимает больше времени, чем теплой. Аккумуляторная батарея заряжается медленнее во время цикла зарядки и максимального заряда не удастся добиться даже после того, как аккумуляторная батарея будет теплой.

Зарядное устройство DCB118 оснащено внутренним вентилятором для охлаждения батареи. Вентилятор включится автоматически, если батарея нуждается в охлаждении. Не используйте зарядное устройство, если вентилятор не функционирует или если забиты вентиляционные отверстия. Не позволяйте посторонним предметам попадать внутрь зарядного устройства.

Система электронной защиты

Литий-ионные аккумуляторные батареи XR оснащены системой электронной защиты, которая защищает аккумуляторную батарею от перегрузки, перегрева или глубокой разрядки.

При срабатывании системы электронной защиты устройство автоматически отключается. В этом случае поставьте Литий-ионную батарею на зарядку до тех пор, пока она полностью не зарядится.

Крепление на стену

Данные зарядные устройства можно крепить на стены или устанавливать на стол или рабочую поверхность. При креплении на стену расположите зарядное устройство в пределах досягаемости розетки и подальше от углов и других препятствий, которые могут помешать потоку воздуха. Для отметки расположения на стене крепежных винтов воспользуйтесь задней частью зарядного устройства в качестве шаблона. Надежно закрепите зарядное устройство при помощи саморезов (приобретаются отдельно) длиной минимум в 25,4 мм с диаметром шляпки в 7–9 мм. Саморезы следует вкручивать в дерево до оптимальной глубины, чтобы на поверхности осталось примерно 5,5 мм самореза. Совместите отверстия на задней стороне зарядного устройства с выступающими саморезами и полностью вставьте их в отверстия.

Инструкции по очистке зарядного устройства



ОСТОРОЖНО! Опасность поражения электрическим током. Перед чисткой отключите зарядное устройство от сети

Грязь и жир можно удалить с наружной поверхности зарядного устройства с помощью тряпки или мягкой неметаллической щетки. Не используйте воду или чистящие растворы. Не допускайте попадания жидкости внутрь устройства; никогда не погружайте никакие из деталей устройства в жидкость.

Блоки аккумуляторных батарей

Важные инструкции по технике безопасности для всех батарей


При заказе запасных батарей не забудьте указать номер по каталогу и напряжение.


При покупке батарея заряжена не полностью. Перед тем, как использовать батарею и зарядное устройство, прочтите следующие инструкции по технике безопасности. Затем выполните необходимые действия для зарядки.


ПРОЧИТЕ ВСЕ ИНСТРУКЦИИ


- **Не заряжайте и не используйте батарею во взрывоопасной атмосфере, например, при наличии горючих жидкостей, газов или пыли.** Установка или извлечение батареи из зарядного устройства может вызвать воспламенение пыли или газов.
- **Никогда не прилагайте больших усилий, вставляя батарею в зарядное устройство. Не вносите изменения в конструкцию аккумуляторных батарей с целью установить их в зарядное устройство, к которому они не подходят. Это может привести к серьезным травмам.**
- **Заряжайте батареи только с помощью зарядных устройств DeWALT.**
- **НЕ БРЫЗГАЙТЕ** на них и не погружайте в воду или другие жидкости.
- **Не храните и не используйте данное устройство и аккумуляторную батарею при температуре ниже 4 °C (34 °F) (например, во внешних пристройках или металлических постройках в зимнее время) или выше 40 °C (104 °F) (например, во внешних пристройках или металлических постройках в летнее время).**
- **Не сжигайте батареи, даже поврежденные или полностью отработавшие.** При попадании в огонь батареи могут взорваться. При сжигании ионно-литиевых батарей образуются токсичные вещества и газы.
- **При попадании содержимого батареи на кожу немедленно промойте это место водой с мылом.** При попадании содержимого батареи в глаза, необходимо промыть открытые глаза проточной водой в течение 15 минут или до тех пор, пока не пройдет раздражение. При необходимости обращения к врачу, может пригодиться следующая информация: электролит представляет собой смесь жидких органических углекислых и литиевых солей.

- **При вскрытии батареи ее содержимое может вызвать раздражение дыхательных путей.**
Обеспечьте наличие свежего воздуха. Если симптомы сохраняются, обратитесь к врачу.


 **ОСТОРОЖНО!** Опасность ожога. Содержимое батареи может воспламениться при попадании искр или огня.

 **ОСТОРОЖНО!** Ни в коем случае не разбирайте батарею. Не устанавливайте батарею в зарядное устройство, если на ней имеются трещины или другие повреждения. Не роняйте батарею и не подвергайте ее ударам или другим повреждениям. Не используйте батарею или зарядное устройство после удара, падения или получения каких-либо других повреждений (например, после того, как ее проткнули гвоздем, ударили молотком или наступили на нее). Это может привести к поражению электрическим током или гибели от электрического шока. Поврежденные батареи необходимо вернуть в сервисный центр для повторной переработки.

 **ОСТОРОЖНО! Огнеопасно. Избегайте замыкания выводов батарей металлическими предметами во время хранения или переноски.**
Например, не кладите аккумуляторные батареи в передники, карманы, ящики для инструментов, выдвижные ящики и т. п. с гвоздями, гайками, ключами и т. п.

 **ВНИМАНИЕ!** Когда инструмент не используется, кладите его на бок на устойчивую поверхность в том месте, где о него нельзя споткнуться и упасть. Некоторые инструменты с аккумуляторными батареями больших размеров стоят на аккумуляторной батарее в вертикальном положении, но их легко опрокинуть.

Транспортировка

 **ОСТОРОЖНО! Огнеопасно.** При транспортировке аккумуляторных батарей может произойти возгорание, если терминалы аккумуляторных батарей случайно будут замкнуты электропроводящими материалами. При транспортировке аккумуляторных батарей убедитесь в том, что терминалы защищены и хорошо изолированы от материалов, контакт с которыми может привести к короткому замыканию.

ПРИМЕЧАНИЕ. Литий-ионные аккумуляторные батареи запрещается сдавать в багаж.

Батареи DeWALT соответствуют всем применимым правилам транспортировки, предусмотренным промышленными и юридическими стандартами, включая рекомендации ООН по транспортировке опасных грузов, правила перевозки опасных грузов Ассоциации международных авиаперевозчиков (IATA), Международные правила перевозки опасных грузов морским путем (IMDG), а также европейское соглашение о международной дорожной

перевозке опасных грузов (ADR). Литий-ионные элементы и аккумуляторные батареи были протестированы в соответствии с разделом 38.3 Рекомендаций ООН по транспортировке опасных грузов руководства по тестам и критериям.

В большинстве случаев транспортировка аккумуляторных батарей DeWALT не попадает под классификацию, поскольку они не являются опасными материалами Класса 9. В целом, полностью под правила Класса 9 подпадают только перевозки Литий-ионных батарей с энергоемкостью выше 100 Ватт час (Вт ч). Энергоемкость всех Литий-ионных аккумуляторных батарей в Ватт-часах указана на упаковке. Кроме того, из-за сложности правил, DeWALT не рекомендует перевозку Литий-ионных батарей по воздуху вне зависимости от их энергоемкости. Поставки инструментов с батареями (комбинированные наборы) могут перевозиться по воздуху согласно исключениям, если энергоемкость батареи не превышает 100 Вт ч.

Независимо от того, является ли перевозка исключением или выполняется по правилам, перевозчик должен уточнить последние требования к упаковке, маркировке и оформлению документации.

Информация, изложенная в данном руководстве обоснована и на момент создания данного документа может считаться точной. Но, эта гарантия не является ни выраженной, ни подразумеваемой. Покупатель должен обеспечить то, что бы его деятельность соответствовала всем применимым законам.

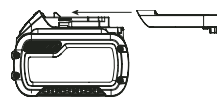
Транспортировка батареи FLEXVOLT™

Батарея DeWALT FLEXVOLT™ оснащена двумя режимами: **эксплуатации и транспортировки.**

Режим эксплуатации. Если батарея FLEXVOLT™ используется отдельно или в изделии DeWALT на 18 В, то она будет работать в качестве батареи 18 В. Если батарея FLEXVOLT™ используется в изделии на 54 В или 108 В (две батареи 54 В), то она будет работать в качестве батареи 54 В.

Режим транспортировки. Если к батарее FLEXVOLT™ прикреплена крышка, то батарея находится в режиме транспортировки. Сохраните крышку для транспортировки.

При режиме транспортировки ряды элементов электрически отсоединяются внутри батареи, что в итоге дает



3 батареи с более низкой энергоемкостью в ватт-часах (Втч) по сравнению с 1 батареей с более высокой емкостью в ватт-часах. Данное увеличенное количество в 3 батареи с более низкой энергоемкостью может исключить комплект из некоторых ограничений на перевозку, налагаемых на батареи с более высокой энергоемкостью.

Например, энергоемкость в режиме транспортировки указана как 3 × 36 Вт ч, что может означать

Пример маркировки режимов эксплуатации и транспортировки

 Use: 108 Wh
 Transport: 3x36 Wh

3 батареи с емкостью в 36 Вт ч каждая. Энергоемкость в режиме эксплуатации указана как 108 Втч (подразумевается 1 батарея).

Рекомендации по хранению

1. Лучшим местом для хранения является прохладное и сухое место, защищенное от прямых солнечных лучей, высокой или низкой температуры. Для оптимальной работы и продолжительного срока службы, храните неиспользуемые аккумуляторные батареи при комнатной температуре.
2. Для достижения максимальных результатов при продолжительном хранении рекомендуется полностью зарядить батарейный комплект и хранить его в прохладном сухом месте вне зарядного устройства.

ПРИМЕЧАНИЕ. Аккумуляторные батареи не должны храниться в полностью разряженном состоянии. Перед использованием аккумуляторная батарея требует повторной зарядки.

Маркировка на зарядном устройстве и аккумуляторной батарее

Помимо пиктограмм, используемых в данном руководстве, на зарядном устройстве и батарее имеются следующие обозначения.



Перед началом работы прочтите руководство по эксплуатации.



Время зарядки см. в разделе «Технические характеристики».



Не касайтесь токопроводящими предметами контактов батареи и зарядного устройства.



Не пытайтесь заряжать поврежденную батарею.



Не подвергайте электроинструмент или его элементы воздействию влаги.



Немедленно заменяйте поврежденный кабель питания.



Зарядку осуществляйте только при температуре от 4 °С до 40 °С.



Для использования внутри помещений.



Утилизируйте отработанные батареи безопасным для окружающей среды способом.

LI-ION



Заряжайте аккумуляторные батареи DEWALT только с помощью соответствующих зарядных устройств DEWALT. Зарядка иных аккумуляторных батарей, кроме DEWALT на зарядных устройствах DEWALT может привести к возгоранию аккумуляторных батарей и возникновению других опасных ситуаций.



Не сжигайте аккумуляторную батарею.



ЭКСПЛУАТАЦИЯ (без крышки для транспортировки). Пример: указана энергоемкость 108 Вт ч (1 батарея с 108 Вт ч).



ТРАНСПОРТИРОВКА (с крышкой для транспортировки). Пример: энергоемкость указана как 3 x 36 Втч (3 батареи с 36 Втч).

Тип батареи

DCS491 и DCS496 работают на аккумуляторных батареях 18 В или 54 В.

Могут применяться следующие типы аккумуляторных батарей: DCB181, DCB182, DCB183, DCB183B, DCB183G, DCB184, DCB184B, DCB184G, DCB185, DCB187, DCB189, DCBP034, DCBP518, DCB546, DCB547, DCB548, DCB549.

Более подробную информацию см. в разделе «Технические характеристики».

Комплект поставки

В упаковку входят:

- 1 Листовые ножницы
- 1 Шестигранный ключ
- 1 Руководство по эксплуатации
- Проверьте инструмент, его детали или дополнительные принадлежности на предмет повреждений, которые могли возникнуть во время транспортировки.
- Перед эксплуатацией внимательно прочтите данное руководство.

Маркировка инструмента

На инструмент нанесены следующие обозначения:



Перед началом работы прочтите руководство по эксплуатации.



Используйте защитные наушники.



Используйте защитные очки.



Видимое излучение. Не направляйте луч в глаза.



Управление включением/блокировкой

Местоположение кода даты (рис. А)

Код даты **11**, который также включает год изготовления, напечатан на корпусе.

Пример:

2022 XX XX

Год производства

Описание (рис. А)



ОСТОРОЖНО! Никогда не вносите изменения в конструкцию электроинструмента или какой-либо его части. Это может привести к повреждениям или травмам.

- 1 Пусковой выключатель/переключатель скорости
- 2 Поворотные ножницы
- 3 Кнопка управления включением/блокировкой
- 4 Шестигранный ключ
- 5 Блок аккумуляторной батареи
- 6 Кнопка открывания батарейного отсека
- 7 Поворотная муфта
- 8 Кнопка разблокирования муфты
- 9 Светодиодная подсветка

Сфера применения

Данные ножницы предназначены для профессионального разрезания стали, алюминия (1,3 мм макс.) и нержавеющей стали (1,0 мм макс.).

НЕ используйте в условиях повышенной влажности или поблизости от легковоспламеняющихся жидкостей или газов.

Данные ножницы являются профессиональными электроинструментами.

НЕ ПОДПУСКАЙТЕ детей к инструменту. Использование инструмента неопытными пользователями должно происходить под контролем опытного лица.

- **Малолетние дети и люди с ограниченными физическими возможностями.** Данное изделие не предназначено для использования маленькими детьми или людьми с ограниченными физическими возможностями, если они не находятся под присмотром лица, отвечающего за их безопасность.
- Данный инструмент не предназначен для использования лицами (включая детей) с ограниченными физическими, психическими и умственными возможностями, не имеющими опыта, знаний или навыков работы с ним, если они не находятся под наблюдением лица, ответственного за их безопасность. Никогда не оставляйте детей с этим инструментом без присмотра.

СБОРКА И РЕГУЛИРОВКА



ОСТОРОЖНО! Чтобы снизить риск получения серьезной травмы, необходимо выключить инструмент и отсоединить батарею, прежде чем выполнять какую-либо регулировку или удалять/устанавливать какие-либо насадки

или дополнительные принадлежности.

Случайный запуск может привести к травме.



ОСТОРОЖНО! Используйте только зарядные устройства и аккумуляторные батареи марки DEWALT.

Установка и извлечение аккумуляторной батареи из инструмента (рис. А)

ПРИМЕЧАНИЕ. Убедитесь в том, что аккумуляторная батарея **5** полностью заряжена.

Установка батареи в рукоятку инструмента

1. Совместите аккумуляторную батарею **5** с выемкой на внутренней стороне рукоятки (рис. А).
2. Двигайте аккумуляторную батарею в рукоятку, пока она плотно не встанет на место, и вы не услышите щелчок замка.

Извлечение батареи из инструмента

1. Нажмите кнопку извлечения батареи **6** и вытащите батарею из рукоятки.
2. Вставьте батарею в зарядное устройство, как указано в разделе данного руководства, посвященном зарядному устройству.

Датчик уровня заряда аккумуляторной батареи (рис. В)

В некоторых аккумуляторных батареях DEWALT есть датчик заряда, который включает три зеленых светодиодных индикатора, показывающих уровень оставшегося заряда аккумуляторной батареи.

Для включения датчика заряда, нажмите и удерживайте кнопку датчика заряда **10**. Загорятся три зеленых светодиода, показывая уровень оставшегося заряда. Когда уровень заряда аккумуляторной батареи упадет ниже эксплуатационного предела, датчик погаснет, и батарею нужно будет зарядить.

ПРИМЕЧАНИЕ. Датчик заряда аккумуляторной батареи показывает уровень оставшегося заряда. Он не показывает работоспособность устройства и его показания могут меняться в зависимости от компонентов продукта, температуры и сфер применения.

Снятие и замена деталей (рис. А, С) DCS491

Снятие поворотной головки с электродвигателя

1. Ослабьте три колпачковых винта **12** при помощи шестигранного ключа **4**, входящего в комплект поставки.
2. Снимите поворотную головку **2**, крепко потянув ее вперед. **ПРИМЕЧАНИЕ.** Если головку тяжело снимается, ее, возможно, потребуется немного покрутить.

Снятие лезвий с поворотной головки

1. Выверните три колпачковых винта **12** из корпуса ножиц **13**. Будьте осторожны и не потеряйте заднюю распорную втулку при извлечении среднего колпачкового винта.

- Извлеките центральное лезвие **17** из корпуса, аккуратно постукав по задней части лезвия. Боковые ножи **18** и боковые шайбы **14** выпадут из корпуса.

Чтобы снять подшипник эксцентрика в сборе со штока, ослабьте гайку эксцентрика подходящим ключом **15**, поворачивая ее против часовой стрелки.

Чтобы установить подшипник эксцентрика в сборе на шток, сначала убедитесь, что на шток надета тонкая шайба **16**. Прикрутите подшипник эксцентрика на шток и затяните подходящим ключом. Смажьте подшипник **19** подшипниковой смазкой хорошего качества.

Установка лезвий в корпус ножниц

- Установите боковые ножи **18** и боковые шайбы **14** на место в корпусе ножниц **13**.
- Вставьте центральный колпачковый винт сквозь боковой нож и боковую шайбу так, чтобы задняя распорная втулка оказалась между ними.
- Вставьте колпачковый винт в резьбу так, чтобы лезвия удерживались на месте. НЕ ЗАТЯГИВАЙТЕ.
- Вставьте распорную втулку в отверстие в центральном лезвии и смажьте ее.
- Вставьте центральное лезвие в корпус ножниц, аккуратно постукав по лезвию вперед, используя при этом пробку, чтобы совместить отверстие в центральном лезвии с передними отверстиями в корпусе.
- Вставьте и затяните передний колпачковый винт и при этом убедитесь, что распорная втулка в центральном лезвии осталась на месте.
- Нанесите подшипниковую смазку хорошего качества на лезвие в сборе, вокруг среднего колпачкового винта/ распорной втулки.
- Вставьте задний колпачковый винт в корпус ножниц, но не затягивайте его полностью.

Установка головки ножниц на приводной электродвигатель

- Ослабьте все колпачковые винты примерно на 3 или 4 полных оборота, затем установите головку ножниц на источник питания. **ПРИМЕЧАНИЕ.** Если головка ножниц не надевается на нос источника питания достаточно легко, то по ней, возможно, надо будет немного постучать, чтобы вогнать ее на место.
- Крепко затяните колпачковые винты, чтобы зафиксировать головку в сборе на месте.

Снятие и замена деталей (рис. А, D–F)

DCS496

Чтобы снять поворотную головку с электродвигателя, ослабьте два колпачковых винта **20** при помощи шестигранного ключа **4**, входящего в комплект поставки. Снимите поворотную головку **2** с корпуса, крепко потянув ее вперед. Если головку тяжело снимается, ее, возможно, потребуется немного покрутить.

Чтобы снять лезвия с поворотной головки, полностью ослабьте два колпачковых винта **12**, расположенных ближе к муфте (рис. Е), и снимите поворотную головку с электродвигателя. Ослабьте натяжной винт **26** на

1/2 оборота. Полностью ослабьте все три колпачковых винта **12** и снимите головку в сборе. Переверните блок и снимите верхнюю половину головки, а затем снимите лезвия.

Чтобы заменить лезвия, поместите нижний кулачок **28** на два штифта **20** (рис. F). Нанесите тонкий слой смазки из пакета (входит в комплект) вокруг штифта и на верхнюю сторону лезвия. Поместите верхний кулачок **27** на штифт. Нанесите оставшуюся смазку на гайку эксцентрика **15** (рис. D) на выходном валу блока двигателя и в область за верхним движущимся режущим лезвием поворотной головки.

Установите сменную шайбу **22** конической стороной вверх на штифт в верхней части движущегося режущего лезвия. Поместите верхнюю половину головки **23** обратно на нижнюю половину **24**, совместив штифт с отверстием. Установите на место все три винта **12** и гайки **25**, но НЕ затягивайте их полностью.

Надвиньте поворотную головку обратно на блок двигателя, убедившись, что гайка эксцентрика **15** входит в зацепление с движущимся режущим лезвием. После того, как головка установлена на двигатель и выровнена, затяните все три винта и следуйте описанной ниже процедуре регулировки.

Чтобы обеспечить правильное натяжение лезвий, затяните натяжной винт **26**, повернув его по часовой стрелке, чтобы лезвия встали на место. Затем ослабьте натяжной винт, слегка повернув его против часовой стрелки, чтобы лезвие могло двигаться.

ПРИМЕЧАНИЕ. Натяжной винт следует отрегулировать в соответствии с толщиной материала.

Поворотная головка (рис. А, G, H)

Для обеспечения более безопасной резки под любым углом, положение головки ножниц можно легко и быстро изменить.

- Нажмите и удерживайте кнопку разблокирования муфты **8**.
- Поверните головку и муфту **7** в нужное положение.
- Отпустите кнопку разблокирования муфты **8**.

ПРИМЕЧАНИЕ. Продолжайте вращать головку до тех пор, пока она не встанет в ближайшее положение блокировки с щелчком.

Для регулировки витков создаваемой стружки, нож с левой стороны оснащен удлиненными отверстиями. Возможно, что после смены лезвий или разрезаемого материала потребуются регулировка. Ослабьте колпачковые винты **12** и постучите по боковому ножу вперед или назад, чтобы витки стружки не касались корпуса ножниц или рабочего материала во время резки.

ЭКСПЛУАТАЦИЯ

Инструкции по эксплуатации



ОСТОРОЖНО! Всегда следуйте указаниям действующих норм и правил безопасности.



ОСТОРОЖНО! Чтобы снизить риск получения серьезной травмы, необходимо выключить инструмент и отсоединить батарею, прежде

чем выполнять какую-либо регулировку или удалять/устанавливать какие-либо насадки или дополнительные принадлежности.

Случайный запуск может привести к травме.

Правильное положение рук (рис. I)



ОСТОРОЖНО! Во избежание риска получения серьезных травм, **ВСЕГДА** располагайте руки правильно, как показано на рисунке.



ОСТОРОЖНО! Во избежание серьезных травм **ВСЕГДА** крепко держите инструмент, предупреждая внезапную резкую отдачу.

При правильном расположении рук одна находится на основной рукоятке, а другая на корпусе для большей устойчивости.

Переключатель скорости (рис. А)

Чтобы включить инструмент, нажмите на пусковую выключатель 1. Чтобы выключить инструмент, отпустите выключатель.

ПРИМЕЧАНИЕ. Светодиодная подсветка 9 включается при нажатии на выключатель.

Данный инструмент оборудован переключателем скорости, который позволяет выбирать оптимальную скорость для конкретного применения. Чем сильнее вы давите на выключатель, тем быстрее вращается инструмент. Используйте более низкие скорости для резки по кривым малого радиуса или более точной работы. Высокие скорости больше подходят для плавных кривых и резки по прямой. Для обеспечения максимального срока службы инструмента используйте низкую скорость только в течение кратких промежутков времени.

Кнопка управления включением/блокировкой (рис. А)

Кнопка управления включением/блокировкой 3 используется в качестве кнопки блокировки. Для установки положения ВКЛ., отпустите спусковой выключатель и нажмите на кнопку управления на правой стороне инструмента. Чтобы выбрать блокировку/выключение, нажмите на кнопку управления на левой стороне инструмента. При изменении положения кнопки управления спусковой выключатель должен быть отпущен.

Резка (рис. D, E)



ОСТОРОЖНО! Опасность пореза. **НИКОГДА не допускайте нахождения какой-либо части тела рядом с лезвиями.** Это может привести к серьезной травме.



ОСТОРОЖНО! Опасность пореза. Для снижения риска получения серьезных травм, **НЕ ИСПОЛЬЗУЙТЕ** ножницы с какими-либо принадлежностями или насадками.



ОСТОРОЖНО! Опасность пореза. Надевайте перчатки при работе с листовым металлом. Концы заострены и могут причинить серьезные травмы.

Для более точной работы, зажимайте или фиксируйте обрабатываемый материал. Совместите один край

среднего лезвия инструмента с линией разреза и введите лезвия в материал без чрезмерных усилий или давления. Немного практики позволит вам научиться определять необходимое давление для более плавной резки. Важно удерживать нижние поверхности боковых ножей плашмя на разрезаемом материале. При резке по кривым линиям не наклоняйте инструмент; держите боковые ножи плашмя и горизонтально. Головка ножниц поворачивается для обеспечения наилучшего доступа к материалу. Для наилучшей эффективности резки, поддерживайте ножи в заточенном состоянии.

ТЕХНИЧЕСКОЕ ОБСЛУЖИВАНИЕ

Электроинструмент DEWALT имеет длительный срок эксплуатации и требует минимальных затрат на техобслуживание. Продолжительность безотказной работы зависит от правильного ухода за прибором и его регулярной чистки.



ОСТОРОЖНО! Чтобы снизить риск получения серьезной травмы, необходимо выключить инструмент и отсоединить батарею, прежде чем выполнять какую-либо регулировку или удалять/устанавливать какие-либо насадки или дополнительные принадлежности.

Случайный запуск может привести к травме.

Зарядное устройство и аккумуляторные батареи не требуют технического обслуживания.



Смазка

Некоторые части головки ножниц в сборе требуют смазки высококачественной подшипниковой смазкой. См. подробную информацию в разделе **Снятие и замена деталей**.



Чистка



ОСТОРОЖНО! Выдувайте грязь и пыль из корпуса сухим сжатым воздухом по мере видимого скопления грязи внутри и вокруг вентиляционных отверстий. Выполняйте данную процедуру, надев защитные очки и респиратор утвержденного типа.



ОСТОРОЖНО! Никогда не пользуйтесь растворителями или другими сильнодействующими химическими веществами для чистки неметаллических частей инструмента. Эти химикаты могут повредить структуру материала, используемого для производства таких деталей. Используйте ткань, смоченную в мягком мыльном растворе. Не допускайте попадания жидкости внутрь устройства; никогда не погружайте никакие из деталей устройства в жидкость.

Дополнительные принадлежности



ОСТОРОЖНО! В связи с тем, что дополнительные принадлежности других производителей, кроме

DEWALT, не проходили проверку на совместимость с данным изделием, их использование может представлять опасность. Во избежание риска получения травмы, с данным продуктом должны использоваться только дополнительные принадлежности, рекомендованные DEWALT.

По вопросу приобретения дополнительных принадлежностей обращайтесь к вашему продавцу.

Защита окружающей среды



Изделия/аккумуляторные батареи подлежат вторичной переработке, однако при наличии символа перечеркнутого мусорного бака на маркировке их запрещается утилизировать с обычными бытовыми отходами.

Полностью разрядите батареи и отделите их, а также, если возможно, отделите все источники света от изделия. Пользователь несет ответственность за удаление личных данных из продукта. Затем отнесите отходы в официальный центр сбора мусора или к участвующему в программе розничному продавцу, который часто принимает их бесплатно. Упаковку следует выбросить в соответствии с обозначенным кодом материала. Инструкции по эксплуатации и правила техники безопасности следует утилизировать только в том случае, если изделие, к которому они относятся, больше не используется.

Пожалуйста, обратитесь в местное сообщество/ муниципалитет за рекомендациями по обращению с отходами. Для получения дополнительной информации посетите сайт **www.2helpU.com** и отсканируйте приведенный выше QR-код.



ГАРАНТИЙНЫЙ ТАЛОН



1. Поздравляем Вас с покупкой высококачественного изделия DEWALT и выражаем признательность за Ваш выбор.
2. При покупке изделия требуйте проверки его комплектности и исправности в Вашем присутствии, инструкцию по эксплуатации и заполненный Гарантийный талон на русском языке. В гарантийном талоне должны быть внесены: модель, дата продажи, серийный номер, дата производства инструмента; а также название, печать и подпись торговой организации. При отсутствии у Вас правильно заполненного Гарантийного талона, а также несоответствия указанных в нем данных, мы будем вынуждены отклонить Ваши претензии по качеству данного изделия.
3. Во избежание недоразумений, убедительно просим Вас перед началом работы с изделием внимательно ознакомиться с инструкцией по его эксплуатации. Правовой основой настоящих гарантийных условий является действующее Законодательство. Гарантийный срок на данное изделие составляет 36 месяцев и исчисляется со дня продажи. В случае устранения недостатков изделия, гарантийный срок продлевается на период его нахождения в ремонте. Срок службы изделия составляет 5 лет со дня продажи.
4. В случае возникновения каких-либо проблем в процессе эксплуатации изделия рекомендуем Вам обращаться только в уполномоченные сервисные центры DEWALT, адреса и телефоны которых Вы сможете найти на сайте www.2helpU.com или узнать в магазине. Наши сервисные станции - это не только квалифицированный ремонт, но и широкий ассортимент запчастей и принадлежностей.
5. Производитель рекомендует проводить периодическую проверку и техническое обслуживание изделия в уполномоченных сервисных центрах.
6. Наши гарантийные обязательства распространяются только на неисправности, выявленные в течение гарантийного срока и вызванные дефектами производства и / или материалов.
7. Гарантийные условия не распространяются на неисправности изделия, возникшие в результате:
 - 7.1. Несоблюдения пользователем предписаний инструкции по эксплуатации изделия, применения изделия не по назначению, неправильном хранении, использования принадлежностей, расходных материалов и запчастей, не предусмотренных производителем.
 - 7.2. Механического повреждения (сколы, трещины и разрушения) внутренних и внешних деталей изделия, основных и вспомогательных рукояток, сетевого электрического кабеля, вызванного внешним ударным или любым иным воздействием.
 - 7.3. Попадания в вентиляционные отверстия и проникновение внутрь изделия посторонних предметов, материалов или веществ, не являющихся отходами, сопровождающими применение изделия по назначению, такими как: стружка, опилки, песок, и пр.
 - 7.4. Воздействия на изделие неблагоприятных атмосферных и иных внешних факторов, таких как дождь, снег, повышенная влажность, нагрев, агрессивные среды, несоответствие параметров питающей электросети, указанных на инструменте.
 - 7.5. Стихийного бедствия. Повреждение или утрата изделия, связанное с непредвиденными бедствиями, стихийными явлениями, в том числе вследствие действия непреодолимой силы (пожар, молния, потоп и другие природные явления), а также вследствие перепадов напряжения в электросети и других причин, которые находятся вне контроля производителя.
8. Гарантийные условия не распространяются:
 - 8.1. На инструменты, подвергавшиеся вскрытию, ремонту или модификации вне уполномоченного сервисного центра.
 - 8.2. На детали и узлы, имеющие следы естественного износа, такие как: приводные ремни и колеса, угольные щетки, смазка, подшипники, зубчатое зацепление редукторов, резиновые уплотнения, сальники, направляющие ролики, муфты сцепления, бойки, толкатели, стволы, и т.п.
 - 8.3. На сменные и расходные части: цанги, зажимные гайки и фланцы, фильтры, ножи, шлифовальные подошвы, цепи, звездочки, пильные шины, защитные кожухи, пилки, абразивы, пильные и абразивные диски, фрезы, сверла, буры и т.п.
 - 8.4. На неисправности, возникшие в результате перегрузки инструмента (как механической, так и электрической), повлекшей выход из строя одновременно двух и более деталей и узлов, таких как ротора и статора, обеих обмоток статора, ведомой и ведущей шестерни редуктора или других узлов и деталей. К безусловным признакам перегрузки изделия относятся, помимо прочего: появление цветов побежалости, деформация или оплавление деталей и узлов изделия, потемнение или обугливание изоляции проводов электродвигателя под воздействием высокой температуры.

Товар получен в исправном состоянии, без видимых повреждений, в полной комплектации, проверен в моем присутствии, претензий по качеству товара не имею. С условиями гарантийного обслуживания ознакомлен и согласен.

Ф. И. О. и подпись покупателя _____

Уважаемые клиенты, наша сеть авторизованных сервисных центров постоянно расширяется. Актуальную информацию об обслуживании в интересующем вас городе вы можете узнать на сайте

www.2helpU.com

Информация об инструменте

Наименование инструмента	
Модель	
Наименование продавца	
Дата продажи	

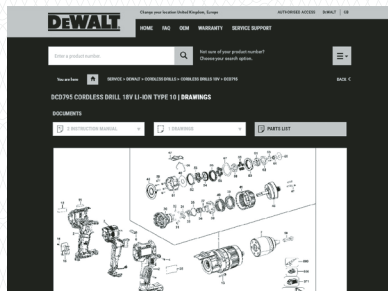
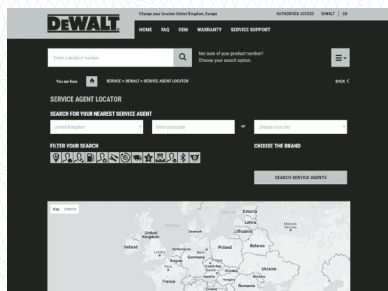
М.П.
Продавца

Серийный номер / Дата производства

Инструмент	
Зарядное устройство	
Аккумулятор 1	
Аккумулятор 2	

На сайте www.2helpU.com доступны следующие функции:

- Список авторизованных сервисных центров
- Удобный поиск ближайшего сервисного центра
- Руководство по эксплуатации
- Технические характеристики
- Список деталей и запасных частей
- Схема сборки инструмента



**Также данную информацию вы можете
получить, позвонив по телефону:
8(800) 1000 876**

ОТМЕТКА О ПРОВЕДЕНИИ СЕРВИСНОГО ОБСЛУЖИВАНИЯ

№1	№2	№3	№4
№ заказа	№ заказа	№ заказа	№ заказа
Дата поступления	Дата поступления	Дата поступления	Дата поступления
Дата ремонта	Дата ремонта	Дата ремонта	Дата ремонта
Печать и подпись сервисного центра	Печать и подпись сервисного центра	Печать и подпись сервисного центра	Печать и подпись сервисного центра

АКУМУЛЯТОРНІ НОЖИЦІ З ПОВОРОТНОЮ ГОЛОВКОЮ

DCS491, DCS496

Вітаємо вас!

Ви обрали інструмент виробництва компанії DeWALT. Великий досвід компанії у розробці інструментів та постійна робота над їх вдосконаленням позиціонують компанію DeWALT як надійного партнера користувачів професійного електрообладнання.

Технічні дані

		DCS491	DCS496
Напруга	V _{пост. струму}	18	18
Тип		1	1
Тип акумулятора		Літій-іонний	Літій-іонний
Максимальна товщина різання матеріалу (листовий метал)	мм	1,3	1,3
Маса (без акумулятора)	кг	1,8	1,5
Значення рівня шуму та/або вібрації (векторна сума трьох векторів) відповідно до стандарту EN62841-2-8:			
L _{PA} (рівень тиску звукового випромінювання)	дБ(A)	70	81
L _{WA} (рівень звукового тиску)	дБ(A)	81	89
K (похибка для даного рівня звукового тиску)	дБ(A)	3	3
Значення вібрації ah =			
Похибка K =	м/с ²	5	8,7
	м/с ²	1,7	1,5

Значення вібрації та/або шуму, наведене в цьому документі, було виміряне згідно зі стандартизованим тестом, викладеним в стандарті EN62841, та може використовуватись для порівняння інструментів. Це значення вібрації можна також використовувати для попередньої оцінки впливу вібрації.



ПОПЕРЕДЖЕННЯ. Заявлене значення вібрації та/або шуму відповідає вимогам цільового використання інструмента. Однак якщо інструмент використовується для виконання інших завдань, або з іншими витратними матеріалами/насадками, або не обслуговується належним чином, значення вібрації та/або шуму може відхилятися. Це може значно збільшити рівень впливу протягом усього періоду роботи.

Оцінка рівня впливу вібрації та/або шуму має враховувати час, протягом якого інструмент є вимкненим, а також час, протягом якого він є ввімкненим, але не використовується. Це може значно зменшити рівень впливу протягом усього періоду роботи.

Визначення додаткових заходів безпеки для захисту оператора від впливу вібрації та/або шуму: технічне обслуговування інструмента та приладдя, утримання рук у теплі (має значення для вібрації), організація режиму роботи.

Декларація про відповідність ЄС

Директива для механічного обладнання



Акумуляторні ножиці з поворотною головкою DCS491, DCS496

DeWALT заявляє, що описані в розділі «Технічні дані» пристрої відповідають стандартам: 2006/42/EC, EN62841-1:2015, EN62841-2-8:2016.

Ці продукти також відповідають вимогам Директив 2014/30/EU та 2011/65/EU. Для отримання додаткової інформації зверніться до компанії DeWALT за вказаною нижче адресою або прочитайте інформацію на зворотній стороні цього посібника.

Нижчепідписаний несе відповідальність за упорядкування файлу технічних характеристик та робить цю заяву від імені компанії DeWALT.

Маркус Ромпель (Markus Rompel)
технічний директор, PTE-Europa
DeWALT, Richard-Klinger-Straße 11,
65510, Idstein, Німеччина
22.08.2022



ПОПЕРЕДЖЕННЯ. Уважно прочитайте посібник з експлуатації для зменшення ризику отримання травм.

Батареї				Зарядні пристрої/час зарядки (у хвиликах)***										
Кат. №	V _{DC}	Ah	Маса (kg)	DCB104	DCB107	DCB112/ DCB1102	DCB113	DCB115/ DCB1104	DCB116	DCB117	DCB118	DCB132	DCB119	
DCB546	18/54	6,0/2,0	1,08	60	270	170	140	90	80	40	60	90	X	
DCB547/G	18/54	9,0/3,0	1,46	75*	420	270	220	135*	110*	60	75*	135*	X	
DCB548	18/54	12,0/4,0	1,46	120	540	350	300	180	150	80	120	180	X	
DCB549	18/54	15,0/5,0	2,12	125	730	450	380	230	170	90	125	230	X	
DCB181	18	1,5	0,35	22	70	45	35	22	22	22	22	22	45	
DCB182	18	4,0	0,61	60/40**	185	120	100	60	60/45**	60/40**	60/40**	60	120	
DCB183/B/G	18	2,0	0,40	30	90	60	50	30	30	30	30	30	60	
DCB184/B/G	18	5,0	0,62	75/50**	240	150	120	75	75/60**	75/50**	75/50**	75	150	
DCB185	18	1,3	0,35	22	60	40	30	22	22	22	22	22	40	
DCB187	18	3,0	0,54	45	140	90	70	45	45	45	45	45	90	
DCB189	18	4,0	0,54	60	185	120	100	60	60	60	60	60	120	
DCBP034/G	18	1,7	0,32	27	82	50	40	27	27	27	27	27	50	
DCBP518/G	18	5,0	0,75	50	240	150	120	75	60	50	50	75	150	

*Код дати 201811475B або пізніше

**Код дати 201536 або пізніше

***Таблиця представлена тільки для справки; время зарядки может варьироваться.

Позначення: інструкції з техніки безпеки

Умовні позначення, наведені нижче, описують рівень важливості кожної попереджувальної вказівки. Прочитайте посібник з експлуатації та зверніть увагу на символи, наведені нижче.



НЕБЕЗПЕЧНО! Вказує на безпосередню загрозу, ігнорування якої **може призвести до смерті або серйозної травми**.



ПОПЕРЕДЖЕННЯ. Вказує на потенційну загрозу, ігнорування якої **може призвести до смерті або серйозної травми**.



УВАГА! Вказує на потенційну загрозу, ігнорування якої **може призвести до травми легкої або середньої тяжкості**.

ПРИМІТКА. Вказує на ситуацію, **не пов'язану з особою травмою**, ігнорування цієї ситуації **може призвести до пошкодження майна**.



ВКАЗУЄ НА РИЗИК УРАЖЕННЯ ЕЛЕКТРИЧНИМ СТРУМОМ.



ВКАЗУЄ НА РИЗИК ВИНИКНЕННЯ ПОЖЕЖИ.

ЗАГАЛЬНІ ПРАВИЛА БЕЗПЕКИ ПРИ ЕКСПЛУАТАЦІЇ ЕЛЕКТРИЧНОГО

ІНСТРУМЕНТА



ПОПЕРЕДЖЕННЯ. Ознайомтеся з усіма попередженнями, інструкціями з техніки безпеки, зображеннями та специфікаціями, які поставляються з цим електричним інструментом. Невиконання нижченаведених інструкцій може призвести до ураження електричним струмом, пожежі та/або серйозних тілесних ушкоджень.

ЗБЕРІГАЙТЕ ВСІ ПОПЕРЕДЖЕННЯ ТА ІНСТРУКЦІЇ ДЛЯ ПОДАЛЬШОГО ВИКОРИСТАННЯ.

Термін «електричний інструмент» в усіх попередженнях стосується використовуваних вами інструментів, що живляться від мережі енергопостачання (з електричним кабелем) або від акумуляторів (без кабелю).

1) Безпека робочої зони

- Робоча зона завжди має бути чистою та добре освітленою.** Захаращена або темна робоча зона призводить до нещасних випадків.
- Не використовуйте електричні інструменти у вибухонебезпечній атмосфері, наприклад поруч із вогнебезпечними рідинами, газами та пилом.** Електричні інструменти створюють іскри, що можуть запалити пил або paru.
- Тримайте дітей та сторонніх подалі під час використання інструмента.** Відвернення уваги може призвести до втрати контролю.

2) Електрична безпека

- Вилка електричного інструмента повинна відповідати розетці. Ніколи жодним чином не змінюйте вилку. Не використовуйте адаптери з замкнутими на землю (заземленими) електричними інструментами.** Немодифіковані вилки та розетки, що підходять до них, зменшують ризик ураження електричним струмом.
- Уникайте контакту тіла з заземленими поверхнями, такими як труби, радіатори, плити та холодильники.** Якщо ваше тіло заземлене, збільшується ризик ураження електричним струмом.
- Не залишайте електричні інструменти під дощем або в умовах підвищеної вологості. Вода,**

що потрапляє в електричний інструмент, підвищує ризик ураження електричним струмом.

- d) **Не використовуйте кабель живлення не за призначенням. Ніколи не переносьте, не тягніть та не відключайте електричний інструмент від розетки живлення за допомогою шнура. Тримайте шнур подалі від високих температур, мастила, гострих предметів та рухомих деталей.** Пошкоджені або перекручені шнури підвищують ризик ураження електричним струмом.
- e) **При використанні електричного інструмента на вулиці, використовуйте подовжувальний шнур, що підходить для використання на вулиці.** Використання шнура, що призначений для використання поза приміщенням, знижує ризик ураження електричним струмом.
- f) **Якщо неможливо уникнути використання електричного інструмента в умовах підвищеної вологості, використовуйте живлення, захищене пристроєм залишкового струму (RCD).** Використання RCD знижує ризик ураження електричним струмом.

3) Особиста безпека

- a) **Будьте в стані готовності, дивіться, що ви робите, та будьте розсудливі, працюючи з електричним інструментом. Не використовуйте електричний інструмент, коли ви втомлені або знаходитесь під впливом наркотичних речовин, алкоголю або ліків.** Втрата уваги під час роботи з електричними інструментами може призвести до серйозних травм.
- b) **Використовуйте особисті засоби безпеки. Завжди використовуйте засоби захисту очей.** Засоби безпеки, такі як протипилова маска, нековзкі безпечні черевки, захисний шолом та засоби захисту слухового апарату при використанні для відповідних умов зменшують імовірність особистих травм.
- c) **Уникайте випадкового запуску. Переконайтесь в тому, що вимикач знаходиться в позиції Вимк. перед підключенням до джерела живлення та/або акумулятора, переміщенням або перенесенням пристрою.** Може статися нещасний випадок, коли ви переносите інструмент, тримаючи палець на вимикачі, або підключаєте живлення до вимикача в позиції Увімк.
- d) **Зніміть усі ключі для регулювання або гайкові ключі, перш ніж вмикати електричний інструмент.** Гайковий ключ, що залишився прикріпленим до якоїсь деталі електричного пристрою, що обертається, може призвести до травм.
- e) **Не прикладайте надмірного зусилля. Завжди утримуйте правильну постановку ніг і рівновагу.** Це дає вам змогу краще контролювати інструмент в неочікуваних ситуаціях.

- f) **Одягайтеся відповідним чином. Не вдягайте вільний одяг або прикраси. Тримайте ваше волосся та одяг подалі від рухомих деталей.** Вільний одяг, прикраси або довге волосся можуть зачепитися за рухомі деталі.
- g) **Якщо передбачені пристрої для підключення до засобів виділення та збирання пилу, переконайтеся, що вони правильно підключені та використовуються.** Використання таких пристроїв зменшує ризик виникнення небезпечних ситуацій, що пов'язані з потраплянням пилу.
- h) **Навіть якщо ви добре знаєте інструмент та часто його використовуєте, не розслабляйтесь та не забувайте про принципи техніки безпеки.** Необережні дії можуть за долю секунди призвести до важких тілесних ушкоджень.

4) Використання електричного інструмента та догляд за ним

- a) **Не прикладайте надмірних зусиль під час роботи з інструментом. Використовуйте електричний інструмент, який відповідає завданню, що виконується.** Правильно обраний інструмент виконає завдання краще та безпечніше за умов, для яких він був розроблений.
- b) **Не використовуйте інструмент, якщо його неможливо ввімкнути та вимкнути за допомогою вимикача.** Будь-який електричний інструмент, яким неможливо керувати за допомогою вимикача, є небезпечним і має бути відремонтований.
- c) **Якщо вилка змінна, відключіть її від джерела живлення та/або вийміть акумулятор, перш ніж виконувати будь-які налаштування, змінювати додаткове обладнання або зберігати інструмент.** Ці профілактичні заходи зменшують ризик випадкового запуску електричного інструмента.
- d) **Зберігайте вимкнені електричні інструменти в недоступному для дітей місці та не дозволяйте особам, що не знайомі з електричним інструментом або цими інструкціями, використовувати електричний інструмент.** Електричні інструменти є небезпечними, якщо вони використовуються некваліфікованими користувачами.
- e) **Технічне обслуговування електричних інструментів та приладдя. Перевіряйте неспіввідповідність, заїдання рухомих деталей, наявність пошкоджених частин та інших факторів, які можуть впливати на роботу електричного інструмента. Якщо є пошкодження, відремонтуйте електричний інструмент перед використанням.** Нещасні випадки часто є результатом того, що інструмент не пройшов відповідного технічного обслуговування.
- f) **Різальні інструменти мають бути гострими та чистими.** Правильно доглянуті різальні інструменти з гострими різальними кромками

мають меншу імовірність заїдання, та ними легше керувати.

- g) **Використовуйте електричний інструмент, додаткові інструменти, різці тощо у відповідності до цих інструкцій та відповідно до даного типу електричних інструментів, зважаючи на умови використання та роботу, яка має бути виконана.** Використання електричних інструментів не за призначенням може призвести до виникнення небезпечних ситуацій.
- h) **Всі ручки та поверхні для тримання інструмента мають бути сухими, без залишків мастила.** Ковзкі ручки та поверхні для тримання не дозволяють безпечно працювати та контролювати інструмент у неочікуваних ситуаціях.

5) Використання та догляд за інструментом, що живиться від акумулятора

- a) **Заряджайте інструмент лише за допомогою зарядного пристрою, вказаного виробником.** Зарядний пристрій, що підходить до одного типу акумуляторів, може призвести до пожежі в разі використання з іншим акумулятором.
- b) **Використовуйте електричні інструменти лише за призначеннями для них акумуляторами.** Використання інших акумуляторів може призвести до травм або пожежі.
- c) **Коли акумулятори не використовуються, зберігайте їх подалі від металевих предметів, як скріпки, монети, ключі, цвяхи, гвинти або інші невеликі предмети, що можуть призвести до замикання двох контактів.** Коротке замикання клем акумулятора може призвести до вибуху або пожежі.
- d) **За невідповідних умов використання рідина може витікати з акумулятора; уникайте контакту з цією рідиною.** Якщо контакт таки стався, промийте забруднену ділянку водою. Якщо рідина потрапила в очі, промийте водою та зверніться до лікаря. Рідина, що витікає з акумулятора, може призвести до подразнень та опіків.
- e) **Не використовуйте пошкоджений або модифікований акумулятор або інструмент.** Пошкоджені або модифіковані акумулятори можуть поводити себе непередбачуваним чином, призводячи до пожежі, вибуху або тілесним ушкодженням.
- f) **Не піддавайте акумулятор та інструмент дії вогню та надмірних температур.** Дія вогню або температури вище 130 °C може спричинити вибух.
- g) **Виконуйте всі інструкції щодо зарядки; заряджайте акумулятор та інструмент тільки в межах температурного діапазону, вказаного в інструкціях.** Неналежне заряджання або заряджання поза межами вказаного температурного діапазону може пошкодити акумулятор та підвищити ризик пожежі.

6) Обслуговування

- a) **Надавайте ваш електричний інструмент для обслуговування кваліфікованим спеціалістом з ремонту та кваліфікуйте тільки ідентичні замінні деталі.** Це забезпечить безпеку електричного пристрою, що обслуговується.
- b) **Ніколи не обслуговуйте пошкоджені акумулятори самостійно.** Обслуговування акумуляторів мають виконувати представники виробника або працівники офіційного сервісного центру.

Додаткові інструкції з техніки безпеки при роботі з ножицями

- **Тримайте електроінструмент за ізольовану поверхню для тримання під час виконання операцій, коли різальне приладдя може торкнутися схованої проводки.** Ріжучі елементи при контакті з дротом під напругою можуть призвести до появи напруги в інструменті та ураження оператора електричним струмом.
- **Ріжте матеріал з номінальною товщиною або нижче.**
- **БІЛЯ різальних полотен не повинно бути ніяких частин вашого тіла.** Можливе важке травмування.
- **Тримайте руки подалі від різальної поверхні.** Втрата уваги під час роботи з електричним інструментами може призвести до серйозних травм.
- **ЗАВЖДИ використовуйте захисні рукавиці під час роботи з тонким листом сталі.** Кромки дуже гострі та можуть спричинити серйозні травми.
- **Надійно затискайте металеву заготовку, яка буде нарізатися, аби уникнути зміщення під час нарізання.**
- **ЗАВЖДИ запускайте інструмент перед тим, як доторкнутися до матеріалу, який буде розрізатися.**
- **ЗАВЖДИ використовуйте інструмент з пристроєм для відхилення завитків.**
- **Якщо можливо, ріжте матеріал так, щоб непотрібний завиток зміщувався праворуч.** При цьому завиток буде зміщуватися вниз та видалятися з робочого шляху інструмента.
- **Використовуйте ножиці лише у прямому напрямку.** Якщо інструмент перевернуто, металевий завиток може повернутися до вас.
- **НЕ використовуйте ножиці з будь-якими аксесуарами чи насадками.**
- **Завжди носіть захисне взуття, щоб захистити ноги від гострих металевих уламків на підлозі.**
- **Надійно затягніть усі гвинти.** Перевіряйте їх на ослаблення.
- **Не кладіть нічого в отвори корпусу електродвигуна.**
- **Часто очищуйте свій інструмент, особливо після інтенсивного використання.** Пил та сміття, що містять частинки металу, часто накопичуються на внутрішніх поверхнях інструмента і можуть спричинити ураження електричним струмом.

- **Тримайтеся подалі від кінців, які можуть впасти після різання.** Контакт з гострими краями може призвести до травм.

Залишкові ризики

Дотримання всіх правил техніки безпеки та застосування пристроїв безпеки не гарантує уникнення певних залишкових ризиків. До такого переліку належать:

- *Порушення слуху.*
- *Ризик тілесних ушкоджень через частинки, які розлітаються.*
- *Ризик опіків через нагрівання приладдя під час роботи.*
- *Ризик тілесних ушкоджень через занадто тривале використання.*

ЗБЕРІГАЙТЕ ЦІ ІНСТРУКЦІЇ

Зарядні пристрої

Зарядні пристрої DeWALT не вимагають налаштувань і розроблені для максимально простого використання.

Електрична безпека

Електричний двигун розроблений для роботи лише з одним значенням напруги. Завжди перевіряйте, що напруга акумулятора відповідає напрузі, що вказана в технічних даних. Також переконайтеся, що напруга зарядного пристрою відповідає напрузі мережі живлення.



Ваш зарядний пристрій виробництва компанії DeWALT має подвійну ізоляцію відповідно до EN60335; тому заземлення не є необхідним.

Якщо кабелі живлення пошкоджені, його заміну може проводити тільки компанія DeWALT або авторизований сервісний центр.

Заміна мережевої вилки

(тільки для Великої Британії та Ірландії)

Якщо потрібно встановити нову вилку:

- *Зніміть стару вилку та утилізуйте її, дотримуючись правил техніки безпеки.*
- *Приєднайте коричневий провідник до активного виходу вилки.*
- *Приєднайте блакитний провідник до нейтрального виходу.*



ПОПЕРЕДЖЕННЯ. Жоден провідник не має бути підключений до клеми заземлення.

Дотримуйтеся інструкцій щодо встановлення, які постачаються з кісьмими вилками. Рекомендований плавкий запобіжник: 3 А.

Використання подовжувального шнура

Використовуйте подовжувальний шнур лише за абсолютної необхідності. Використовуйте лише рекомендований подовжувальний шнур, що відповідає споживаній потужності вашого зарядного пристрою (див. «Технічні дані»). Мінімальний переріз провідника становить 1,5 мм²; максимальна довжина — 30 м.

При використанні кабельного барабану завжди витягуйте весь кабель.

Важливі інструкції з техніки безпеки для всіх зарядних пристроїв

ЗБЕРІГАЙТЕ ЦІ ІНСТРУКЦІЇ. У цьому посібнику містяться важливі інструкції з техніки безпеки та використання для сумісних зарядних пристроїв (див. **Технічні дані**).

- *Перед використанням зарядного пристрою прочитайте всі інструкції та попередження на зарядному пристрої, акумуляторах та продукті, для якого ці акумулятори використовуються.*



ПОПЕРЕДЖЕННЯ. Небезпека ураження електричним струмом. Не допускайте потрапляння рідини в зарядний пристрій. Це може призвести до ураження електричним струмом.



ПОПЕРЕДЖЕННЯ. Ми рекомендуємо використовувати захисний пристрій відключення з номінальним значенням диференційного струму 30 mA або менше.



ОБЕРЕЖНО! Небезпека опіку. Для зниження ризику отримання травм заряджайте лише акумулятори DeWALT. Інші типи акумуляторів можуть вибухнути, спричинивши тілесні ушкодження та пошкодження майна.



УВАГА! Уважно слідкуйте за тим, щоб діти не гралися з пристроєм.

ПРИМІТКА. За певних умов, коли зарядний пристрій підключений до мережі живлення, незахищені контакти всередині зарядного пристрою можуть замкнутися будь-яким стороннім предметом. Сторонні предмети, що проводять струм, наприклад металева стружка, алюмінієва фольга або будь-які металеві деталі, необхідно зберігати подалі від зарядного пристрою. Завжди відключайте зарядний пристрій від розетки, коли акумулятор не встановлено в зарядний пристрій. Відключіть зарядний пристрій від мережі живлення перед його очищенням

- **НЕ намагайтеся заряджати акумулятор зарядними пристроями, що не вказані в цьому посібнику.** Зарядний пристрій та акумулятор даної моделі розроблені для сумісної експлуатації.
- **Ці зарядні пристрої не призначені для інших цілей, окрім заряджання акумуляторів DeWALT.** Використання з іншими акумуляторами може призвести до виникнення пожежі або ураження електричним струмом.
- **Не піддавайте зарядний пристрій впливу дощу або снігу.**
- **При відключенні зарядного пристрою від мережі живлення тягніть за вилку, а не за кабель.** Це зменшить ризик пошкодження вилки та кабелю.
- **Переконайтеся, що кабель розміщений так, щоб на нього не наступали, не ходили по ньому та не піддавали його іншим фізичним впливам.**
- **Не використовуйте подовжувальний шнур окрім випадків, коли це абсолютно необхідно.**

Використання невідповідних подовжжувачів шнурів може призвести до пожежі або ураження електричним струмом.

- **Не кладіть будь-які предмети на зарядний пристрій та не залишайте зарядний пристрій на м'якій поверхні, що може заблокувати вентиляційні отвори та призвести до надмірного нагрівання.** Розташуйте зарядний пристрій подальше від джерел тепла. Зарядний пристрій вентилюється крізь отвори у верхній та нижній частинах корпусу.
- **Не використовуйте зарядний пристрій із пошкодженим кабелем або вилкою** — їх потрібно негайно замінити.
- **Не використовуйте зарядний пристрій, якщо той отримав різкий удар, впав або був пошкоджений іншим чином.** Віднесіть його до авторизованого сервісного центру.
- **Якщо зарядний пристрій вимагає технічного обслуговування або ремонту, не розбирайте його самотужки, а віднесіть до авторизованого сервісного центру.** Невідповідні способи використання можуть призвести до виникнення пожежі або ураження електричним струмом.
- Якщо кабелів живлення пошкоджено, для уникнення небезпеки його необхідно негайно замінити, звернувшись до виробника, спеціаліста сервісного центру або іншого кваліфікованого спеціаліста.
- **Відключайте зарядний пристрій від розетки перед його очищенням. Це дозволяє знизити ризик ураження електричним струмом.** Зняття акумулятора не знижує ризик.
- **НИКОЛИ не намагайтесь з'єднати два зарядні пристрої.**
- **Цей зарядний пристрій розрахований на роботу зі стандартною напругою побутової електромережі 230 В. Не намагайтесь використовувати його з іншою напругою.** Це не стосується автомобільних зарядних пристроїв.





Зарядка акумулятора (Рис. А, В)

1. Підключіть зарядний пристрій до відповідної розетки перед встановленням акумулятора.
2. Вставте акумуляторний блок **5** у зарядний пристрій, переконавшись, що акумулятор встановлено у зарядний пристрій до упору. Червоний індикатор (зарядки) буде часто миготіти, указуючи на початок процесу зарядки.
3. Коли зарядку завершено, червоний індикатор горить, не блимаючи. Це означає, що акумулятор повністю заряджений та може використовуватися одразу або залишатися в зарядному пристрої. Щоб витягнути акумулятор із зарядного пристрою, натисніть кнопку деблокування **6** на акумуляторі.

ПРИМІТКА. Щоб забезпечити максимальну продуктивність та тривалість роботи літій-іонного акумулятора, повністю зарядіть його перед першим використанням.

Робота зарядного пристрою

Нижче описані індикатори стану заряджання акумулятора.

Індикатори зарядки	
	Заряджається 
	Повністю заряджений 
	Затримка через надмірно високу/низьку температуру акумулятора* 

*Червоний індикатор буде продовжувати миготіти, а жовтий індикатор буде горіти під час виконання цього завдання. Коли акумулятор досягає відповідної температури, жовтий індикатор вимикається, а зарядний пристрій відновлює процес зарядки.

Сумісний зарядний пристрій не буде заряджати несправний акумулятор. Зарядний пристрій розпізнає несправний акумулятор і не ввімкне індикатор.

ПРИМІТКА. Це також може свідчити про проблему з зарядним пристроєм.

Якщо виявлено проблему із зарядним пристроєм, віднесіть зарядний пристрій та акумулятор для перевірки в авторизований сервісний центр.

Затримка через надмірно високу/низьку температуру акумулятора

Якщо зарядний пристрій визначає, що акумулятор є надмірно гарячим або холодним, він автоматично вмикає режим температурної затримки, припиняючи процес заряджання, доки акумулятор не досягне відповідної температури. Після досягнення прийнятної температури зарядний пристрій автоматично перемикається в режим заряджання акумулятора. Ця функція забезпечує максимальний термін служби акумулятора.

Холодний акумулятор буде заряджатися повільніше порівняно з теплим акумулятором. Акумулятор буде заряджатися повільніше протягом всього циклу зарядки та не повернеться до максимальної швидкості зарядки, навіть при нагріванні.

Зарядний пристрій DCB118 оснащений внутрішнім вентилятором, призначеним для охолодження акумулятора. Вентилятор автоматично вмикається, коли акумулятор потребує охолодження. Ніколи не використовуйте зарядний пристрій, якщо вентилятор працює неналежним чином або вентиляційні отвори заблоковані. Уникайте потрапляння сторонніх предметів у зарядний пристрій.

Електронна система захисту


Інструменти з літій-іонними акумуляторами XR розроблені з використанням системи електронного захисту, яка захищає акумулятор від перевантаження, перегрівання або повної розрядки.

Пристрій автоматично вимикається, якщо спрацює електронна система захисту. У цьому випадку встановіть літій-іонний акумулятор у зарядний пристрій до повної зарядки.

Кріплення на стіну

Ці зарядні пристрої можна закріпити на стіні, чи поставити на стіл або іншу робочу поверхню. При кріпленні на стіну розташуйте зарядний пристрій недалеко від електричної розетки, а також подалі від кутів та інших перешкод, що заважають повітряному потоку. Скористайтеся задньою частиною зарядного пристрою в якості шаблону для розташування кріпильних гвинтів на стіні. Надійно зафікуйте зарядний пристрій за допомогою шурупів (потрібно придбати окремо) довжиною приблизно 25,4 мм з голівкою діаметром 7-9 мм, що закручуються в дерев'яну поверхню до оптимальної глибини, щоб залишилося приблизно 5,5 мм. Вирівняйте отвори на задній поверхні зарядного пристрою з частиною шурупів, що виступає, після чого повністю вставте шурупи в отвори.

Інструкції з очищення зарядного пристрою

 **ПОПЕРЕДЖЕННЯ. Небезпека ураження електричним струмом. Відключіть зарядний пристрій від розетки змінного струму перед його очищенням.** Бруд та жир можна прибирати з поверхні зарядного пристрою за допомогою ганчірки або м'якої неметалевої щітки. Не використовуйте воду та мийні розчини. Не дозволяйте рідині потрапляти всередину інструмента та ніколи не занурюйте деталі інструмента в рідину.

Акумулятор

Важливі інструкції з техніки безпеки для різних типів акумуляторів

При замовленні змінних акумуляторів не забудьте вказати номер за каталогом та напругу.

Новий акумулятор заряджений не повністю. Перед використанням акумулятора та зарядного пристрою прочитайте всі нижче наведені інструкції з техніки безпеки. Після цього виконайте вказані пункти процедури зарядки.

ПРОЧИТАЙТЕ ВСІ ІНСТРУКЦІЇ

- **Не заряджайте та не використовуйте акумулятор у вибухонебезпечних умовах, наприклад в присутності легкозаймистих рідин, газів або пилу.** При встановленні або знятті акумулятора з зарядного пристрою можуть спалахнути пил або випари.
- **На прикладі зусилля, вставляючи акумулятор в зарядний пристрій. Жодним чином не змінюйте акумулятор для його встановлення в несумісний зарядний пристрій, тому що він може розірватися та спричинити серйозні травми.**
- Заряджайте акумулятори лише за допомогою зарядного пристрою DEWALT.
- **НЕ занурюйте акумулятор у воду та інші рідини та не брызкайте на нього.**
- **Не зберігайте та не використовуйте інструмент та акумулятор у місцях, де температура може опуститися нижче 4 °C (34 °F) (наприклад, біля гаражів або металевих будівель взимку) або сягати**

чи перевищувати 40 °C (104 °F) (наприклад, біля гаражів або металевих будівель влітку).

- **Не спалюйте акумулятор, навіть якщо він сильно пошкоджений або повністю зношений.** Акумулятор може вибухнути у вогні. Коли літій-іонні акумулятори горять, утворюються токсичні випаровування та речовини.
- **Якщо вміст акумулятора потрапив на шкіру, негайно промийте це місце м'яким милом та водою.** Якщо рідина з акумулятора потрапила в очі, промийте відкрите око протягом 15 хвилин або доки подразнення не зникне. Якщо необхідно звернутися до лікаря, укажіть, що акумуляторний електроліт складається з суміші рідких органічних вуглекислих солей та солей літію.
- **Вміст відкритого акумулятора може спричинити подразнення дихальних шляхів.** Вийдіть на свіже повітря. Якщо симптоми не зникнуть, зверніться до лікаря.



ПОПЕРЕДЖЕННЯ. Небезпека опіку. Рідина з акумулятора може спалахнути, якщо на неї потрапить іскра або полум'я.



ПОПЕРЕДЖЕННЯ. За жодних умов не намагайтесь відкрити акумулятор. За будь-якого пошкодження акумулятора не встановлюйте його у зарядний пристрій. Не бийте, не кидайте та не пошкоджуйте акумулятор. Не використовуйте акумулятор та зарядний пристрій, якщо ті отримали різкий удар, впали або були пошкоджені іншим чином (наприклад, були проколоті цвяхом, вдарені молотком, на них наступили). Це може призвести до ураження електричним струмом. Пошкоджені акумулятори необхідно повернути в сервісний центр для переробки.



ПОПЕРЕДЖЕННЯ. Небезпека виникнення пожежі.

Зберігайте та переносіть акумулятор так, щоб металеві предмети не торкалися його відкритих контактів. Наприклад, не кладіть акумулятор у фартух, кишені, ящики з інструментами, коробки з наборами приладдя, шухляди тощо, де можуть бути цвяхи, гвинти, ключі тощо.



УВАГА! Коли інструмент не використовується, залишайте його на боці на стабільній поверхні в такому місці, де через нього не можна перечепитися та власти. Деякі інструменти з великими акумуляторами можуть стояти на акумуляторі, але їх можна легко перекинути.

Транспортування



ПОПЕРЕДЖЕННЯ. Небезпека виникнення пожежі. Під час перевезення акумуляторів може виникнути пожежа, якщо контакти акумулятора випадково вийдуть в контакт з електропровідним матеріалом. При перевезенні акумуляторів переконайтесь, що їхні контакти захищені та добре ізольовані від матеріалів, які можуть увійти з ними в

контакт та викликати коротке замикання.

ПРИМІТКА. При перевезенні літій-іонних акумуляторів не можна здавати їх в багаж.

Акумулятори DEWALT відповідають всім нормам перевезення, описаним у галузевих та законодавчих положеннях, включно з рекомендаціями ООН про перевезення небезпечних вантажів, правилами перевезення небезпечних вантажів Міжнародної організації повітряного транспорту (IATA), міжнародними правилами перевезення небезпечних вантажів водним транспортом (IMDG) та Європейській угоді про міжнародне дорожнє перевезення небезпечних вантажів (ADR). Літій-іонні елементи і акумулятори були перевірені відповідно до розділу 38.3 посібника тестів та критеріїв щодо рекомендацій ООН з перевезення небезпечних вантажів.

Здебільшого перевезення акумуляторів DEWALT може бути класифіковано як перевезення небезпечних речовин, що повністю підпадають під Клас 9. Загалом тільки вантажі, що містять літій-іонні акумулятори ємністю більше за 100 ват-годин (Вт-год), вимагають транспортування відповідно до норм перевезення небезпечних речовин, що повністю підпадають під Клас 9. На всі літій-іонні акумулятори нанесено значення ват-годин. Більше того, через складності законодавчих норм компанія DEWALT не рекомендує транспортування окремо літій-іонних акумуляторів повітряним транспортом, незалежно від показника ват-годин. Транспортування інструментів з акумуляторами (у комплекті) можна виконувати повітряним транспортом, якщо значення ват-годин не перевищує 100 Вт-год.

Незалежно від того, чи підлягає вантаж регламентним вимогам чи відноситься до переліку їх виключень, вантажовідправник несе відповідальність за відповідність чинним вимогам щодо вимог до упакування, етикеток/маркування та документації.

Інформація, що наводиться у цьому розділі посібника, сумлінно перевірена та вважається дійсною на момент складання документації. Проте чинні нормативи можуть підлягати змінам. Покупець несе відповідальність за забезпечення дотримання у своїй діяльності законодавчих вимог.

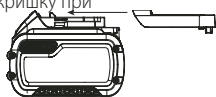
Транспортування акумулятора FLEXVOLT™

Акумулятор DEWALT FLEXVOLT™ має два режими: **використання і транспортування.**

Режим використання. При використанні акумулятора FLEXVOLT™ окремо або в комплекті з пристроєм DEWALT 18 В його потужність складає 18 В. Якщо акумулятор FLEXVOLT™ встановлено у пристрій потужністю 54 В або 108 В (два акумулятори 54 В), він буде працювати як акумулятор 54 В.

Режим транспортування. Якщо на акумулятор FLEXVOLT™ встановлено кришку, він знаходиться у режимі транспортування. Не знімайте цю кришку при транспортуванні.

У режимі транспортування послідовність електричних



елементів акумулятора роз'єднана, що створює 3 акумулятори з меншим значенням Вт-год в порівнянні з 1 акумулятором із більшим значенням цього показника. Ці 3 акумулятори з нижчим значенням ват-годин можуть бути виключені з певних норм транспортування, що застосовуються для акумуляторів з більшим значенням ват-годин.

Наприклад, показник транспортування може бути 3 × 36 Вт-год, що означає 3 акумулятори по 36 Вт-год кожний. При цьому показник Вт-год в режимі використання може бути вказаний як 108 Вт-год (1 акумулятор).

Приклад маркування способів використання та транспортування

Рекомендації щодо зберігання

1. Найкращим місцем для зберігання інструмента є прохолодне сухе місце, куди не потрапляють прямі сонячні промені та немає доступу тепла та холоду. Для забезпечення оптимальної продуктивності та терміну служби акумуляторів зберігайте їх при кімнатній температурі, коли вони не використовуються.
2. При тривалому зберіганні для оптимального результату рекомендується помістити повністю заряджений акумулятор у сухе прохолодне місце поза зарядним пристроєм.

ПРИМІТКА. Не рекомендується зберігати акумулятор повністю розрядженим. Акумулятор потрібно перезарядити перед використанням.

Етикетки на зарядному пристрої та акумуляторі

Крім символів, що використовуються у цьому керівництві, етикетки на зарядному пристрої та акумуляторі можуть містити наведені нижче позначки.



Прочитайте інструкції цього посібника перед використанням.



Див. розділ **Технічні дані** щодо часу зарядки.



Уникайте контакту з електропровідними об'єктами.



Не заряджайте пошкоджені акумулятори.



Не надавайте впливу води.



Негайно замініть пошкоджений шнур живлення.



Заряджайте акумулятор за температури від 4 °C до 40 °C.



Для використання лише у приміщенні.



Утилізуйте акумулятори з належною турботою про навколишнє середовище.



Заряджайте акумулятори DEWALT лише за допомогою спеціальних зарядних пристроїв DEWALT. Зарядка інших типів акумуляторів, крім DEWALT, за допомогою зарядного пристрою DEWALT може спричинити вибух акумулятора або інші небезпечні ситуації.



Не кидайте акумулятори у відкритий вогонь.



ВИКОРИСТАННЯ (без кришки для транспортування). Приклад: Значення Вт-год становить 108 Вт-год (1 акумулятор потужністю 108 Вт-год).



ТРАНСПОРТУВАННЯ (зі встановленою кришкою для транспортування). Приклад: Значення Вт-год становить 3 x 36 Вт-год (3 акумулятори потужністю 36 Вт-год).

Тип акумулятора

Пристрої DCS491 і DCS496 працюють від акумуляторів напругою 18 або 54 Вольт.

Для експлуатації придатні акумулятори наступних моделей: DCB181, DCB182, DCB183, DCB183B, DCB183G, DCB184, DCB184B, DCB184G, DCB185, DCB187, DCB189, DCBP034, DCBP518, DCB546, DCB547, DCB548, DCB549. Див. додаткову інформацію у розділі «Технічні дані».

Комплект поставки

Комплект містить:

- 1 Ножиці
 - 1 Шестигранний гайковий ключ
 - 1 Посібник з експлуатації
- *Перевірте інструмент, деталі та приладдя на пошкодження, що могли виникнути під час транспортування.*
 - *Перед використанням уважно прочитайте та повністю зрозумійте цей посібник.*

Маркування на інструменті

На інструменті є наступні піктограми:



Прочитайте інструкції цього посібника перед використанням.



Використовуйте засоби захисту органів слуху.



Використовуйте засоби захисту очей.



Видиме випромінювання. Не дивіться на джерело світла.



Кнопка увімкнення/блокування

Розташування коду дати (рис. А)

Код дати **11**, що включає також рік виробництва, наноситься на корпус.

Приклад:

2022 XX XX

Рік виробництва

Опис (рис. А)



ПОПЕРЕДЖЕННЯ. Ніколи не модифікуйте електричні інструменти та їх деталі. Це може призвести до пошкодження майна або тілесних ушкоджень.

- 1 Курковий перемикач/перемикач змінної швидкості
- 2 Поворотна головка для різання
- 3 Кнопка увімкнення/блокування
- 4 Шестигранний гайковий ключ
- 5 Акумулятор
- 6 Кнопка розблокування акумулятора
- 7 Поворотна муфта
- 8 Кнопка розблокування муфти
- 9 Світлодіодний робочий ліхтар

Сфера застосування

Ці ножиці призначені для професійного різання сталі, алюмінію (макс. товщина 1,3 мм) та нержавіючої сталі (макс. товщина 1,0 мм).

НЕ використовуйте за умов підвищеної вологості або у присутності легкозаймистих рідин та газів.

Ці ножиці призначені для професійного використання.

НЕ дозволяйте дітям торкатися інструмента. Використання інструмента недосвідченими операторами потребує нагляду.

- **Діти та люди з обмеженими можливостями.** Цей пристрій не призначений для використання дітьми та особами з обмеженими розумовими та фізичними можливостями без стороннього контролю.
- Цей пристрій не призначений для використання особами (включаючи дітей) із зниженими фізичними, сенсорними або розумовими можливостями або особами, яким бракує досвіду або знань за винятком випадків, коли такі особи працюють під наглядом особи, яка несе відповідальність за їх безпеку. Не можна залишати дітей наодинці з цим пристроєм.

МОНТАЖ ТА НАЛАШТУВАННЯ



ПОПЕРЕДЖЕННЯ. Щоб знизити ризик серйозних тілесних ушкоджень, вимкніть інструмент та відключіть акумулятор перед виконанням будь-яких налаштувань або зніманням/встановленням додаткового обладнання або приладдя. Випадковий запуск може призвести до травм.



ПОПЕРЕДЖЕННЯ. Використовуйте лише акумулятори та зарядні пристрої фірми DEWALT.

Установка акумулятора в інструмент та його виймання з інструмента (рис. А)

ПРИМІТКА. Переконайтесь, що ваш акумулятор **5** повністю заряджений.

Встановлення акумулятора в ручку інструмента

1. Вирівняйте акумулятор **5** по напрямним у ручці інструмента (рис. А).
2. Вставте акумулятор у ручку до упору та переконайтесь, що ви почули звук клацання акумулятора, що став на місце.

Виймання акумулятора з інструмента

1. Натисніть кнопку відпускання **6** та витягніть акумулятор з ручки інструмента.
2. Вставте акумулятор у зарядний пристрій, як описано у розділі щодо зарядного пристрою цього посібника.

Акумулятори з індикатором рівня заряду (рис. В)

Деякі акумулятори DEWALT оснащені індикатором рівня заряду з трьох зелених світлодіодів, що вказують рівень заряду акумулятора, що залишився.

Щоб увімкнути індикатор заряду, натисніть та утримуйте кнопку індикатора заряду **10**. Три зелені світлодіоди будуть горіти відповідним чином, відображуючи рівень зарядки акумулятора. Коли рівень заряду акумулятора нижче відповідного ліміту, індикатор рівня заряду не горить, а акумулятор потрібно зарядити.

ПРИМІТКА. Індикатор рівня заряду показує лише рівень заряду, що залишився в акумуляторі. Він не показує функціональність інструмента, а його показники можуть змінюватись відповідно до комплектності інструмента, температури та способу застосування.

Зняття та заміна компонентів (Рис. А, С) DCS491

Для зняття різальної головки з двигуна:

1. Відкрутіть три ковпачкових гвинта **12** за допомогою наданого шестигранного ключа **4**.
2. Зніміть різальну головку **2**, потягнувши головку вперед.

ПРИМІТКА. Якщо головка важко стягується, може знадобитися незначне скручування.

Для зняття різальних полотен з головки:

1. Відкрутіть три ковпачкових гвинта **12** з корпусу ножиць **13**. Будьте обережні, щоб не втратити задню розпірну втулку під час зняття середнього ковпачкового гвинта.
2. Зніміть центральне різальне полотно **17** з корпусу, трохи постукавши полотно у напрямку задньої частини пристрою. Бічні ножі **18** і бічні проставки **14** тепер випадають з корпусу.

Щоб зняти підшипник ексцентрика в зборі з вала, використовуйте відповідний ключ, щоб послабити ексцентричну гайку **15**, повернувши її проти годинникової стрілки.

Для встановлення підшипника ексцентрика в зборі на вал, переконайтесь, що велика, тонка шайба **16** першою встановлюється на вал. Накрутіть підшипник ексцентрика в зборі на вал і затягніть відповідним ключем. Змастіть підшипник **19** за допомогою належного мастила для підшипників.

Для встановлення різальних полотен на корпус ножиць:

1. Встановіть бічні ножі **18** та бічні проставки **14** в їх місце знаходження в корпусі ножиць **13**.
2. Вставте центральний ковпачковий гвинт через боковий ніж і бічну проставку із задньою розпірною втулкою між ними.
3. Почніть закручувати ковпачковий гвинт на різьбу, щоб утримувати різальні полотна на місці. НЕ ПЕРЕТЯГУЙТЕ.
4. Вставте розпірну втулку в отвір в центрі різального полотна та змастіть.
5. Вставте центральне різальне полотно на корпус ножиць, обережно постукаючи полотно вперед, використовуючи шпильку, щоб вирівняти отвір у центрі полотна з передніми отворами в корпусі.
6. Вставте і затягніть ковпачковий гвинт, переконаючись, що розпірна втулка в центрі полотна залишається в належному положенні.
7. Нанесіть належне мастило для підшипника на полотно в зборі навколо середнього ковпачкового гвинта/розпірної втулки.
8. Вставте задній ковпачковий гвинт в корпус ножиць, але не затягуйте його повністю.

Для встановлення різальної головки ножиць в зборі на привідний двигун:

1. Коли усі ковпачкові гвинти ослаблені на 3 або 4 повних обертів, помістіть різальну головку на пристрій.
ПРИМІТКА. Можливо, потрібно буде акуратно натиснути на різальну головку, якщо вона важко натягається на насадку силового блоку.
2. Надійно затягніть ковпачкові гвинти для фіксації головки в зборі на місці.

Зняття та заміна компонентів (Рис. А, D–F) DCS496

Для зняття різальної головки з двигуна: послабте два задніх ковпачкових гвинти **20** за допомогою наданого шестигранного ключа **4**. Зніміть різальну головку **2** з корпусу, потягнувши головку вперед. Якщо головка важко стягується, може знадобитися незначне скручування.

Для зняття різальних полотен з різальної головки: повністю відпустіть два ковпачкових гвинти **12** біля муфти (рис. Е) і зніміть різальну головку з двигуна. Послабте натяжний гвинт **26** на 1/2 оберту. Повністю відпустіть всі три ковпачкових гвинти **12** і зніміть головку в зборі. Переверніть головку в зборі, зніміть верхню частину, а потім зніміть полотно.

Для заміни полотен: установіть нижній фіксатор **28** на дві шпильки **20** (рис. F). Нанесіть тонкий шар мастила з упаковки (входить у комплект) навколо шпильки та на верхню сторону різального полотна. Встановіть верхній

фіксатор **27** на шпильку. Решту мастила нанесіть на ексцентричну гайку **15** (рис. D) на вихідному валу блоку двигуна та в область за верхнім рухомим полотном у різальній головці.

Встановіть запасну шайбу **22** конусною стороною вгору на шпильку на верхній частині рухомого полотна. Встановіть верхню частину головки **23** назад на нижню половину **24**, переконавшись, що шпилька вирівняна з отвором. Встановіть на місце всі три ковпачкові гвинти **12** та гайки **25**, але **НЕ** затягуйте їх до кінця.

Посуньте різальну головку назад на блок двигуна, переконавшись, що ексцентрична гайка **15** фіксує рухоме полотно. Після встановлення головки на блок двигуна та вирівняна, затягніть усі три гвинти та дотримуйтеся наведеної нижче процедури регулювання.

Щоб забезпечити належний натяг різального полотна, затягніть натяжний гвинт **26**, повертаючи його за годинниковою стрілкою до фіксації різальних полотен. Потім послабте натяжний гвинт, злегка повернувши його проти годинникової стрілки, щоб полотно могло рухатися.

ПРИМІТКА. Натяжний гвинт слід відрегулювати відповідно до товщини матеріалу.

Поворотна головка (рис. A, G, H)

Щоб зручніше було забезпечити безпечне різання під будь-яким кутом, різальну головку ножиць можна легко та швидко переставити.

1. Натисніть і утримуйте кнопку відпускання муфти **8**.
2. Поверніть головку і муфту **7** у потрібне положення.
3. Відпустіть кнопку відпускання муфти **8**.

ПРИМІТКА. Продовжуйте обертати головку, поки вона не зафіксується в найближчому положенні фіксації.

Для регулювання напрямлення завитку відпрацьованого матеріалу, лівий боковий ніж має витягнуті отвори. Регулювання може знадобитися після зміни різальних полотен або різання матеріалу. Відкрутіть ковпачкові гвинти **12** і постукайте бічний ніж вперед або назад, щоб завиток відпрацьованого матеріалу не різав корпус ножиць або робочий матеріал під час різання.

РЕЖИМ РОБОТИ

Інструкції з використання



ПОПЕРЕДЖЕННЯ. Завжди дотримуйтесь усіх інструкцій з техніки безпеки та відповідних норм.



ПОПЕРЕДЖЕННЯ. Щоб знизити ризик серйозних тілесних ушкоджень, вимкніть інструмент та відключіть акумулятор перед виконанням будь-яких налаштувань або зніманням/встановленням додаткового обладнання або приладдя. Випадковий запуск може призвести до травм.

Вірне положення рук (рис. I)



ПОПЕРЕДЖЕННЯ. Щоб знизити ризик серйозних травм, **ЗАВЖДИ** правильно розташовуйте руки, як показано.



ПОПЕРЕДЖЕННЯ. Щоб знизити ризик серйозних травм, **ЗАВЖДИ** добре тримайте інструмент, щоб попередити випадкову віддачу.

При правильному положенні рук необхідно одну руку тримати на основній ручці, а іншою тримати заготовку.

Перемикач змінної швидкості (рис. A)

Для ввімкнення інструмента натисніть тригерний перемикач **1**. Відпустіть перемикач, щоб вимкнути інструмент.

ПРИМІТКА. Світлодіодне джерело робочого світла **9** активується при натисненні на перемикач.

Ваш інструмент оснащений перемикачем змінної швидкості, що дозволяє обирати найкращу швидкість для певного завдання. Чим далі ви будете натискати курок, тим швидше буде обертатись інструмент. Використовуйте менші швидкості для різання кривих малого радіусу або слідуйте точним напрямкам. Більш високі швидкості краще для поступових кривих і прямих розрізів. Для подовження терміну служби інструмента використовуйте малі швидкості тільки короткі проміжки часу.

Кнопка управління увімкнення/блокування (рис. A)

Кнопка управління увімкнення/блокування **3** використовується як кнопка блокування. Для активації положення включення, відпустіть спусковий курок та натисніть кнопку управління на правій стороні інструмента. Для активації положення блокування/вимкнення, натисніть кнопку управління на лівій стороні інструмента. При зміні положення кнопки переконайтесь, що тригер відпущений.

Різнання (рис. D, E)



ПОПЕРЕДЖЕННЯ. Небезпека порізів. БІЛЯ різальних полотен не повинно бути ніяких частин вашого тіла. Через це можна отримати травми.



ПОПЕРЕДЖЕННЯ. Небезпека порізів. Щоб зменшити ризик серйозних травм, НЕ ВИКОРИСТОВУЙТЕ ножиці з будь-яким іншим приладдям або насадками, крім тих, що рекомендовано DEWALT.



ПОПЕРЕДЖЕННЯ. Небезпека порізів. Завжди використовуйте захисні рукавиці під час роботи з листом сталі. Кромки дуже гострі та можуть спричинити серйозні травми.

Для точної роботи завжди затискайте або закріплюйте матеріал, який потрібно різати. Вирівняйте один край середнього різального полотна інструмента з лінією розрізу і просуньте полотно в матеріал без вимушених зусиль чи зайвого тиску. Невелика практика використання інструмента дозволить вам визначити, який тиск вперед забезпечить найкраще різання. Важливо тримати нижню поверхню бічних полотен на різаному матеріалі. Під час різання кривих, не нахиляйте інструмент; тримайте бічні полотна плоскими і рівними. Головка ножиць буде повертатися, щоб забезпечити кращий доступ до матеріалу. Для забезпечення найкращої ефективності різання тримайте полотно гострим.

ТЕХНІЧНЕ ОБСЛУГОВУВАННЯ

Ваш інструмент виробництва компанії DEWALT призначений для роботи протягом довгого часу з мінімальним обслуговуванням. Довга задовільна робота приладу залежить від належного обслуговування приладу та регулярного його очищення.

! **ПОПЕРЕДЖЕННЯ.** Щоб знизити ризик серйозних тілесних ушкоджень, вимкніть інструмент та відключіть акумулятор перед виконанням будь-яких налаштувань або зніманням/встановленням додаткового обладнання або приладдя. Випадковий запуск може призвести до травм.

Зарядний пристрій та акумулятор не підлягають обслуговуванню.



Змащування

Окремі частини головки ножиць вимагають змащування за допомогою високоякісного мастила для підшипників. Див. розділ «Зняття та заміна компонентів» для отримання детальної інформації.



Очищення

! **ПОПЕРЕДЖЕННЯ.** Коли пил та бруд стають помітними та починають накопичуватися біля вентиляційних отворів, видавайте бруд та пил зсередини основного корпусу за допомогою сухого повітря. Використовуйте рекомендовані засоби захисту органів зору та рекомендовану протипилову маску при виконанні цієї операції.

! **ПОПЕРЕДЖЕННЯ.** Ніколи не використовуйте розчинники та інші агресивні хімічні засоби для очищення неметалевих деталей інструмента. Такі хімічні речовини можуть нанести шкоду матеріалам, що використовуються в цих деталях. Використовуйте вологу ганчірку, змочену лише водою з м'яким милом. Не дозволяйте рідині потрапляти всередину інструмента та ніколи не занурюйте деталі інструмента в рідину.

Додаткове приладдя

! **ПОПЕРЕДЖЕННЯ.** Оскільки інше приладдя, що не рекомендоване компанією DEWALT, не було перевірене з цим пристроєм, використання такого приладдя може бути небезпечним. Щоб зменшити ризик травмування, слід використовувати виключно приладдя, рекомендоване компанією DEWALT.

Зверніться до свого дилера для отримання подальшої інформації щодо відповідного приладдя.

Захист навколишнього середовища



Пристрої/акумулятори підлягають переробці, але якщо вони позначені знаком із перекресленим контейнером для сміття, їх не можна викидати зі звичайними побутовими відходами.

Повністю розрядіть акумулятори і витягніть їх з приладу, а також витягніть будь-які джерела світла за можливості. Видалення будь-якої персональної інформації з виробу є відповідальністю користувача. Потім доставте їх до офіційного центру збору відходів або до представника роздрібною торгівлі, який безкоштовно приймає участь у зборі відходів. Упакування має бути утилізованим відповідно до коду маркування матеріалу. Інструкції з експлуатації та техніки безпеки мають бути утилізованими після припинення використання виробу.

Дізнайтеся про місцеві/муніципальні рекомендації щодо поводження з відходами. Для додаткової інформації завітайте на сайт www.2helpU.com і відскануйте наведений вище QR-код.



Виробник:
"Stanley Black & Decker Deutschland
GmbH" Black-&-Decker Str.40, D-65510
Idstein, Німеччина

DEWALT

ГАРАНТІЙНИЙ ТАЛОН

**3 РОКИ
ГАРАНТІЇ**

1. Вітаємо Вас з покупкою високоякісного виробу DEWALT і висловлюємо вдячність за Ваш вибір.
2. При покупці виробу вимагайте перевірки його комплекстності і справності у Вашій присутності, інструкцію з експлуатації та заповнений гарантійний талон українською мовою. В гарантійному талоні повинні бути внесені: модель, дата продажу, серійний номер, дата виробництва інструменту, назва, печатка і підпис торгової організації. За відсутності у Вас правильно заповненого гарантійного талону, а також при невідповідності зазначених у ньому даних ми будемо змушені відхилити Ваші претензії щодо якості даного виробу.
3. Щоб уникнути непорозумінь, переконливо просимо Вас перед початком роботи з виробом уважно ознайомитися з інструкцією з його експлуатації. Правовою основою справжніх гарантійних умов є чинне Законодавство. Гарантійний термін на даний виріб складає 36 місяці і обчислюється з дня продажу. У разі усунення недоліків виробу, гарантійний строк продовжується на період його перебування в ремонті. Термін служби виробу становить 5 років з дня продажу.
4. У разі виникнення будь-яких проблем у процесі експлуатації виробу рекомендуємо Вам звертатися тільки в уповноважені сервісні центри DEWALT, адреси та телефони яких Ви зможете знайти в гарантійному талоні, на сайті www.2helpU.com або дізнатися в магазині. Наші сервісні станції - це не тільки кваліфікований ремонт, але і широкий асортимент запчастин і аксесуарів.
5. Виробник рекомендує проводити періодичну перевірку і технічне обслуговування виробу в уповноважених сервісних центрах.
6. Наші гарантійні зобов'язання поширюються тільки на несправності, виявлені протягом гарантійного терміну і викликані дефектами виробництва та \ або матеріалів.
7. Гарантійні умови не поширюються на несправності виробу, що виникли в результаті:
 - 7.1. Недотримання користувачем приписів інструкції з експлуатації виробу, застосування виробу не за призначенням, неправильного зберігання, використання приладдя, витратних матеріалів і запчастин, що не передбачені виробником.
 - 7.2. Механічного пошкодження (відколи, тріщини і руйнування) внутрішніх і зовнішніх деталей виробу, основних і допоміжних рукояток, мережевого кабелю, що викликані зовнішнім ударним або будь-яким іншим впливом
 - 7.3. Поتراплення у вентиляційні отвори та проникнення всередину виробу сторонніх предметів, матеріалів або речовин, що не є відходами, які супроводжують застосування виробу за призначенням, такими як: стружка, тирса, пісок, тін.
 - 7.4. Впливу на виріб несприятливих атмосферних і інших зовнішніх факторів, таких як дощ, сніг, підвищена вологість, нагрівання, агресивне середовище, невідповідність параметрів електромережі, що зазначені на інструменті.
 - 7.5. Стихійного лиха. Пошкодження або втрати виробу, що пов'язані з непередбаченими лихами, стихійними явищами, у тому числі внаслідок дії непереборної сили (пожежа, блискавка, потоп і інші природні явища), а також внаслідок перепадів напруги в електромережі та іншими причинами, які знаходяться поза контролем виробника.
8. Гарантійні умови не поширюються:
 - 8.1. На інструменти, що піддавалися розкриттю, ремонту або модифікації поза уповноваженим сервісним центром.
 - 8.2. На деталі, вузли та матеріали, що мають сліди природного зносу, такі як: приводні ремені і колеса, вугільні щітки, мастило, підшипники, зубчасті зчеплення редукторів, гумові ущільнення, сальники, направляючі ролики, муфти, вижимачі, бойки, штовхачі, столи тощо.
 - 8.3. На змінні частини: патрони, цанги, затискні гайки і фланці, фільтри, ножі, шліфувальні підшви, ланцюги, зірочки, пильні шини, захисні кожухи, пилки, абразиви, пильні і абразивні диски, фрези, свердла, бури тощо
 - 8.4. На несправності, що виникли в результаті перевантаження інструменту (як механічного, так і електричного), що спричинили вихід з ладу одночасно двох і більше деталей і вузлів, таких як: ротора і статора, обох обмоток статора, веденої і ведучої шестерень редуктора або інших вузлів і деталей. До безумовних ознак перевантаження виробу відносяться, крім інших: поява кольорів мінливості, деформація або оплвлення деталей і вузлів виробу, потемніння або обуглювання ізоляції проводів електродвигуна під впливом високої температури.

Товар отриманий в справному стані, без видимих ушкоджень, в повній комплектації, перевірений у моїй присутності, претензій щодо якості товару не маю. З умовами гарантійного обслуговування ознайомлений і згоден.

П. І. Б. та підпис власника _____

Шановні клієнти, наша мережа авторизованих сервісних центрів постійно розширюється. Актуальну інформацію про обслуговування в місті, що цікавить вас, ви можете дізнатися на сайті

www.2helpU.com

Редакція ВК/12-12-2018

Інформація про інструмент

Найменування інструменту	
Модель	
Найменування продавця	
Дата продажу	

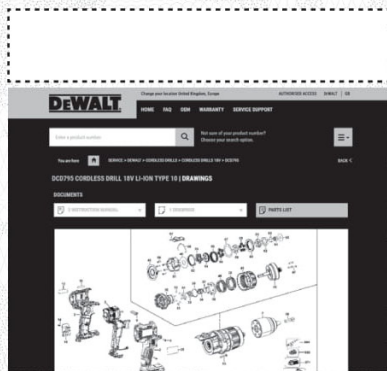
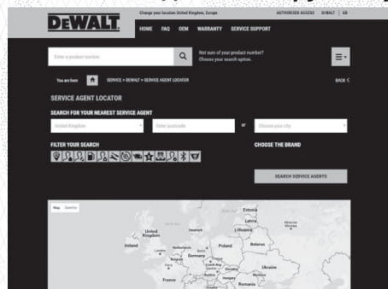
М.П.
Продавця

Серійний номер/Дата виробництва

Інструмент	
Зарядний пристрій	
Акумулятор 1	
Акумулятор 2	

На сайті www.2helpU.com доступні наступні функції:

- Список авторизованих сервісних центрів
- Зручний пошук найближчого сервісного центру
- Керівництво з експлуатації
- Технічні характеристики
- Список деталей і запасних частин
- Схема складання інструменту



Також дану інформацію ви можете отримати, зателефонувавши за номером:
0 (800) 211 521 в Україні

ВІДМІТКА ПРО ПРОВЕДЕННЯ СЕРВІСНОГО ОБСЛУГОВУВАННЯ

№1	№2	№3	№4
№ замовлення	№ замовлення	№ замовлення	№ замовлення
Дата прийому	Дата прийому	Дата прийому	Дата прийому
Дата ремонту	Дата ремонту	Дата ремонту	Дата ремонту
Печатка і підпис сервісного центру	Печатка і підпис сервісного центру	Печатка і підпис сервісного центру	Печатка і підпис сервісного центру

