

DEWALT®

XR®

www.DEWALT.com

DCMWP500
DCMWSP550

English (**original instructions**)

9

Русский (*перевод с оригинала инструкции*)

27

Українська (*переклад з оригінальної інструкції*)

51

Fig. A

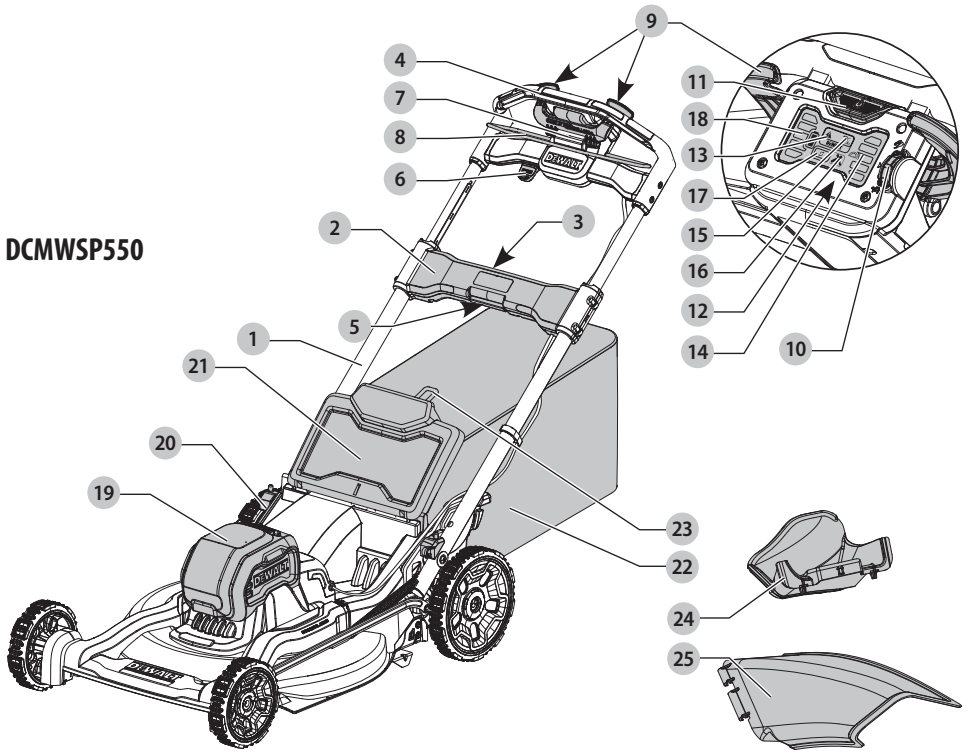
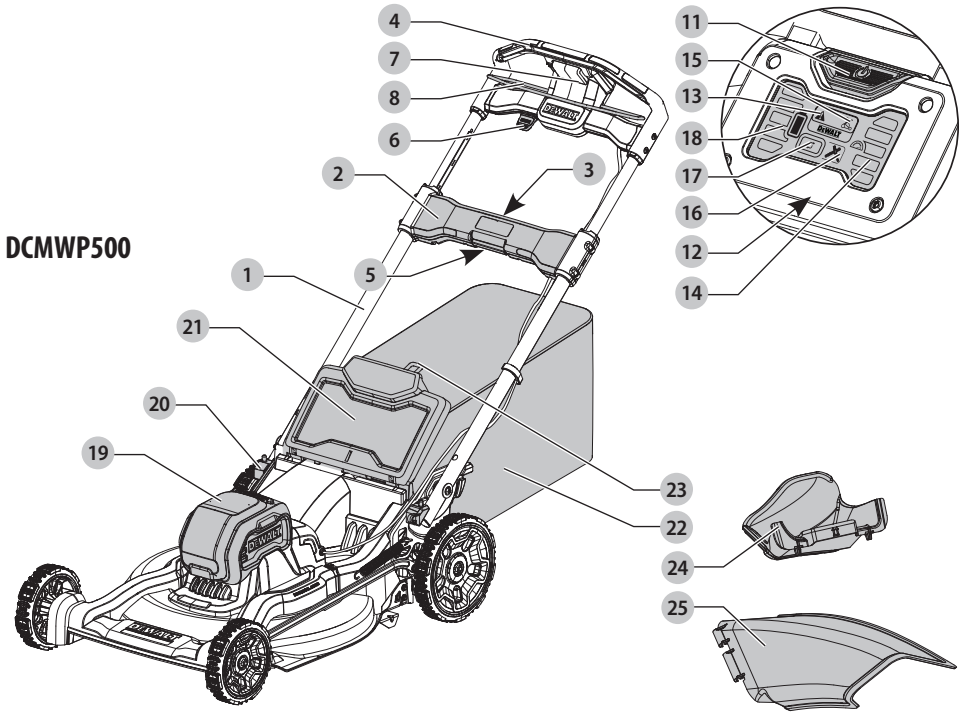


Fig. B

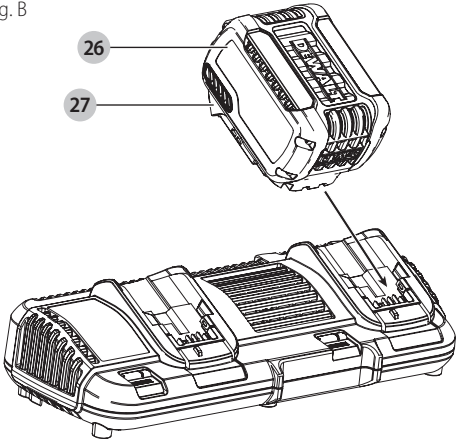


Fig. C

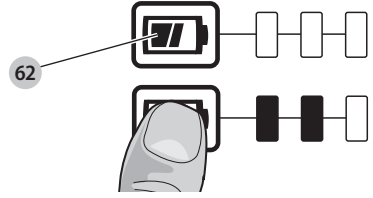


Fig. D

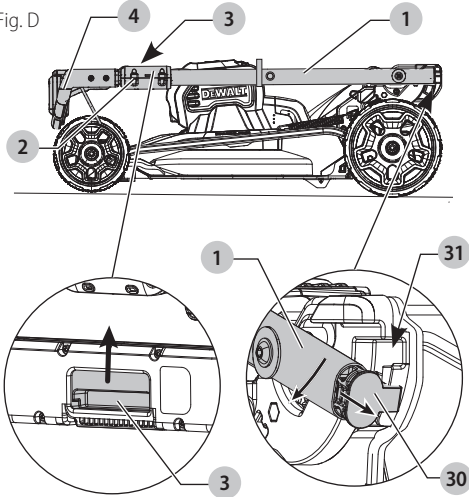


Fig. E

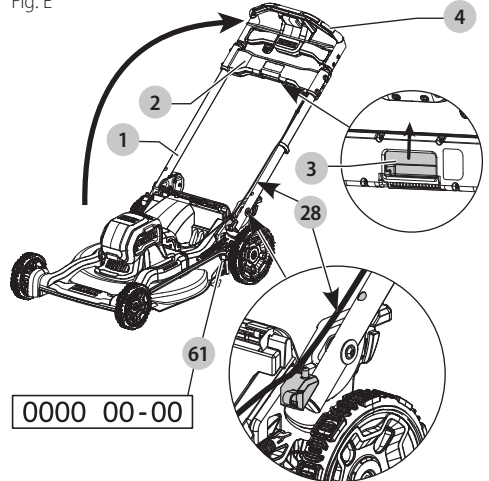


Fig. F

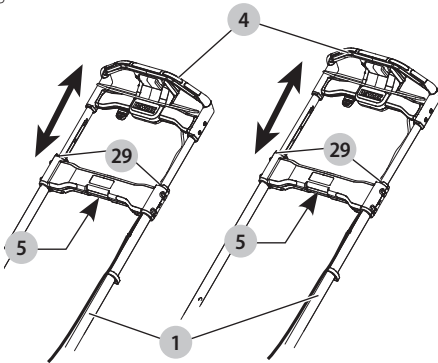


Fig. G

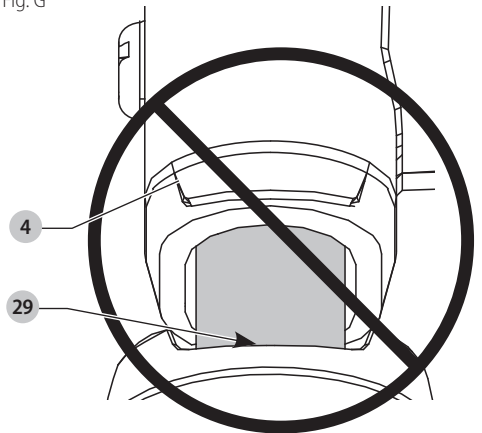


Fig. H

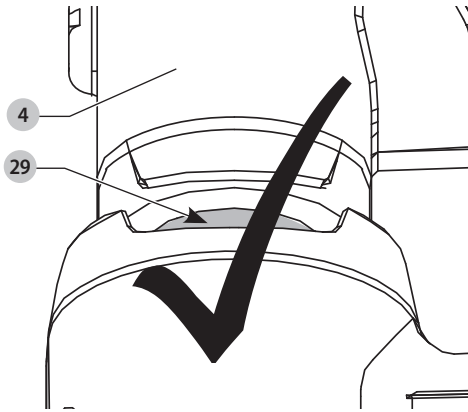


Fig. I

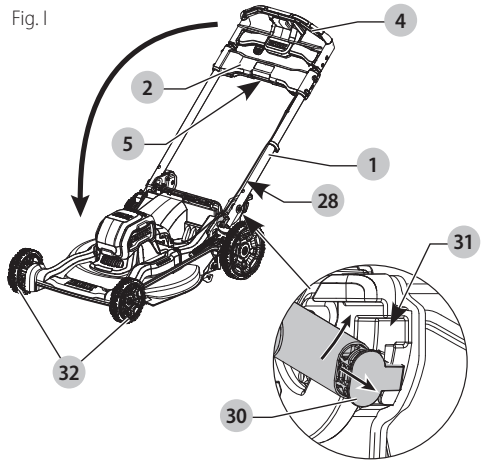


Fig. J

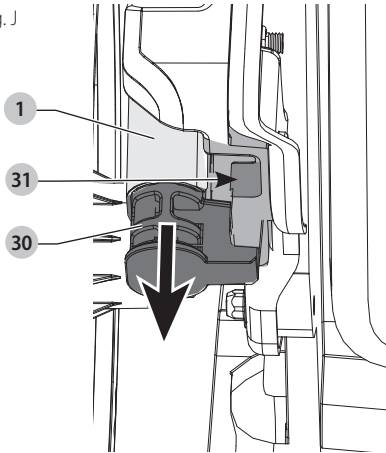


Fig. K

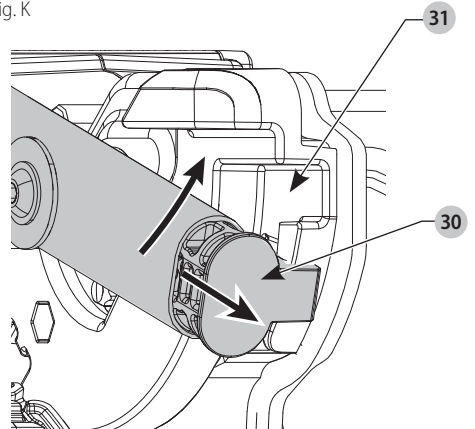


Fig. L

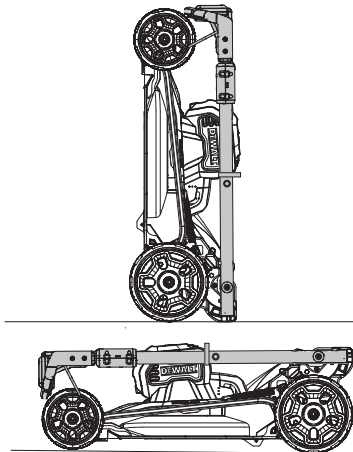


Fig. M

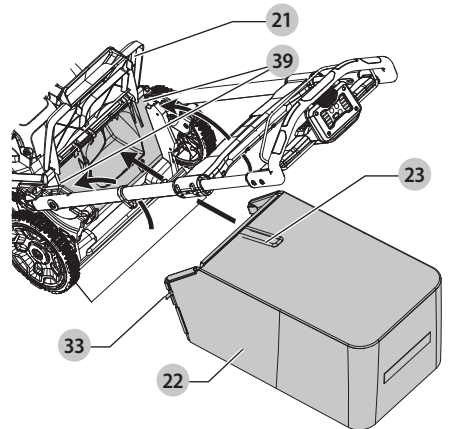


Fig. N

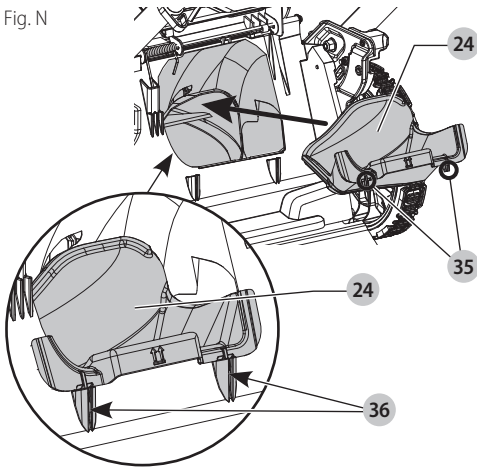


Fig. O

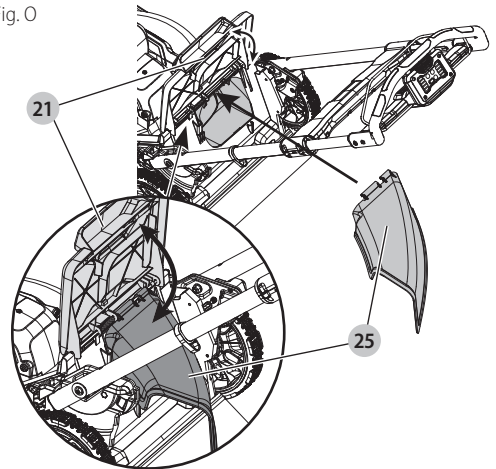


Fig. P

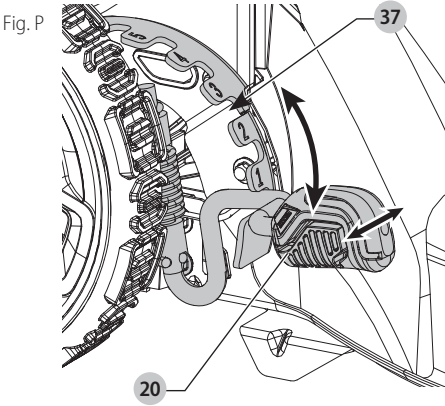


Fig. Q

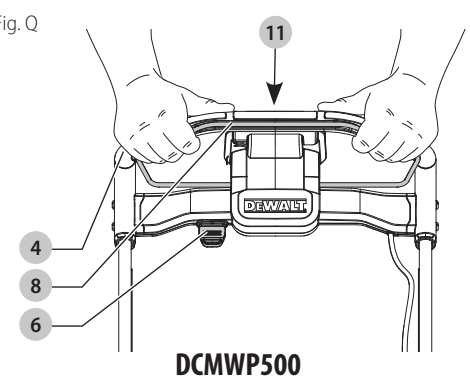


Fig. R

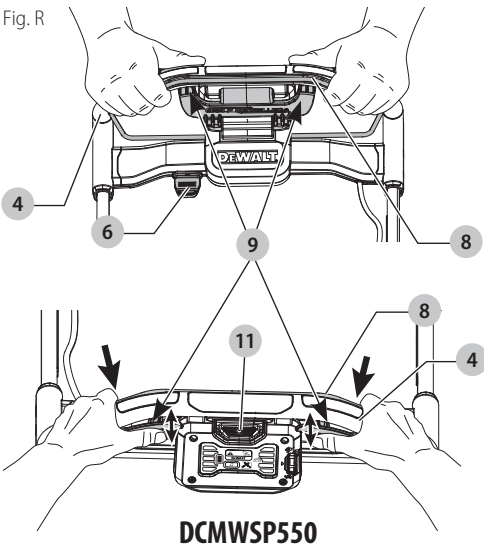


Fig. S

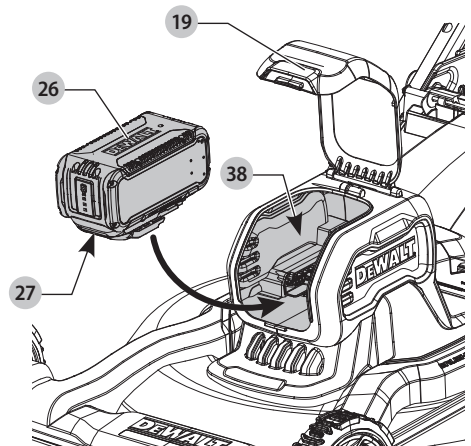


Fig. T

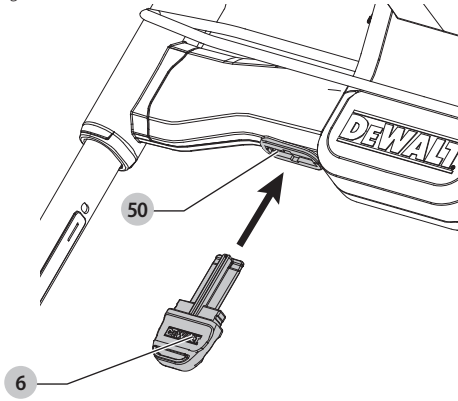


Fig. U

DCMW500, DCMWSP550

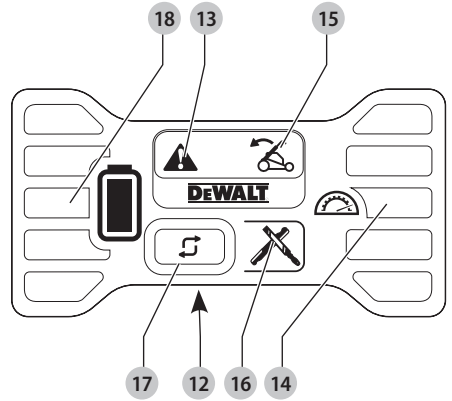


Fig. V

DCMWSP550

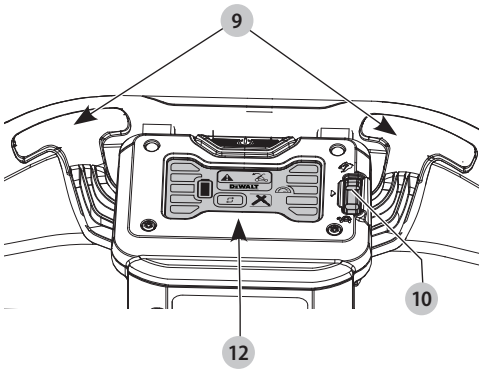


Fig. W

DCMWSP550

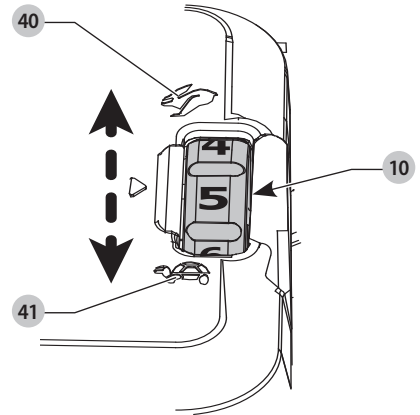


Fig. X

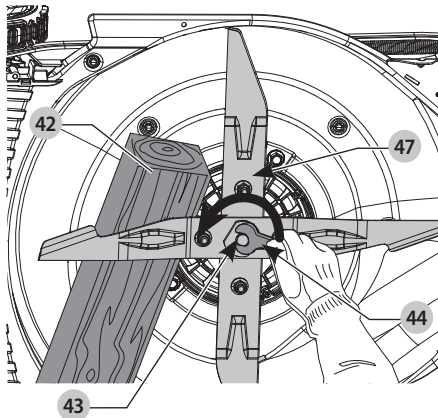


Fig. Y

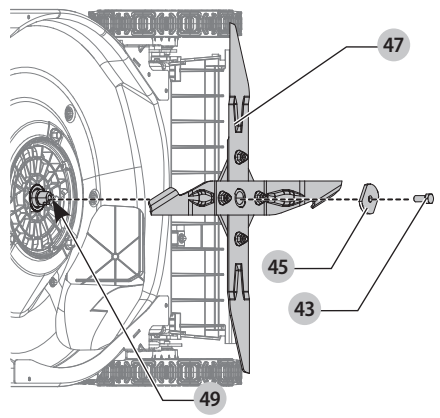


Fig. Z

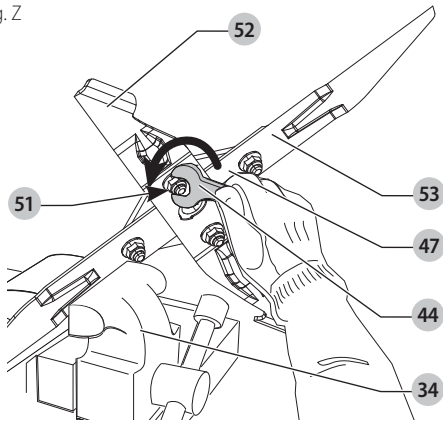


Fig. AA

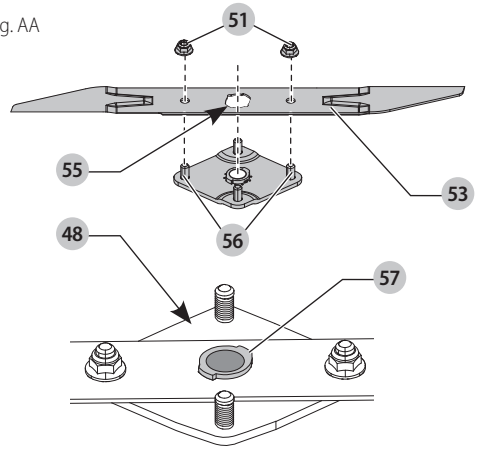


Fig. BB

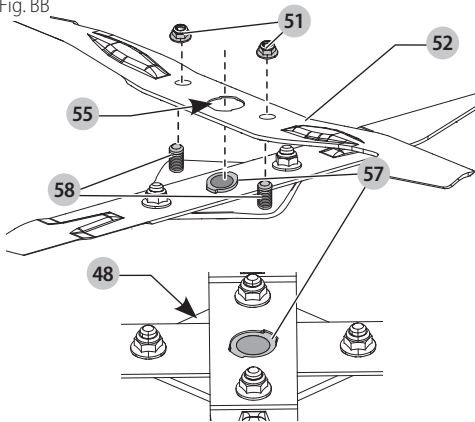


Fig. CC

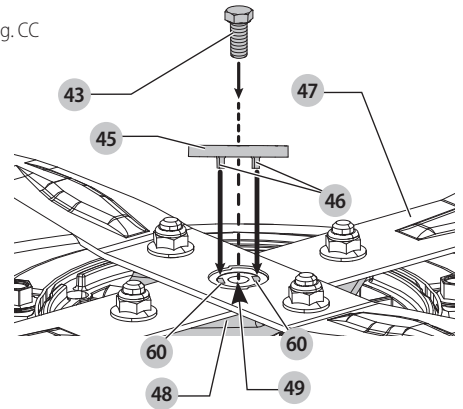


Fig. DD

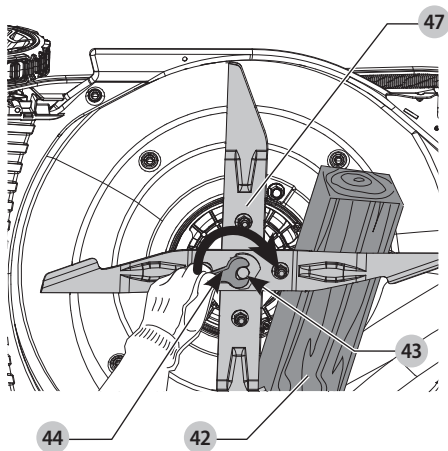


Fig. EE

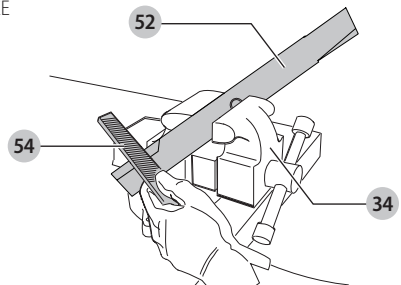
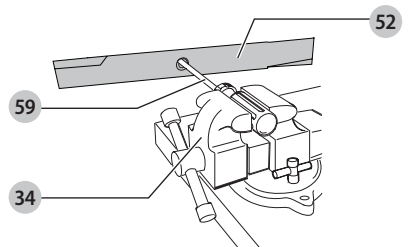


Fig. FF



DCMWP500 54V MOWER

DCMWSP550 54V SELF-PROPELLED MOWER

Congratulations!

You have chosen a DEWALT tool. Years of experience, thorough product development and innovation make DEWALT one of the most reliable partners for professional power tool users.

Technical Data

		DCMWP500	DCMWSP550
Voltage	V_{DC}	54	54
Battery type		Li-Ion	Li-Ion
No load speed	/min	2500	2500
Maximum speed	/min	2800	2800
Blade Length	cm	53	53
Weight	kg	26	29
Noise values and vibration values (tri-ax vector sum) according to EN62841-1			
L_{PA} (emission sound pressure level)	dB(A)	77	77
K (uncertainty for the given sound level)	dB(A)	3	3
L_{WA} (sound power level)	dB(A)	84	84
K (uncertainty for the given sound level)	dB(A)	1.3	1.3
Hand/arm weighted vibration value:			
Vibration emission value a_{h1} =	m/s^2	2.5	2.5
Uncertainty K =	m/s^2	1.5	1.5

The vibration and/or noise emission level given in this information sheet has been measured in accordance with a standardised test given in EN62841 and may be used to compare one tool with another. It may be used for a preliminary assessment of exposure.



WARNING: The declared vibration and/or noise emission level represents the main applications of the tool. However, if the tool is used for different applications, with different accessories or is poorly maintained, the vibration and/or noise emission may differ. This may significantly increase the exposure level over the total working period.

An estimation of the level of exposure to vibration and/or noise should also take into account the times when the tool is switched off or when it is running but not actually doing the job. This may significantly reduce the exposure level over the total working period.

Identify additional safety measures to protect the operator from the effects of vibration and/or noise such as: maintain the tool and the accessories, keep the hands warm (relevant for vibration), organisation of work patterns.

EC-Declaration of Conformity Machinery Directive



54V Mower DCMWP500, DCMWSP550

DEWALT declares that these products described under **Technical Data** are in compliance with: 2006/42/EC, EN 62841-1:2015 + A11:2022; EN IEC 62841-4-3:2021 + A11:2021.

These products also comply with Directive 2014/30/EU and 2011/65/EU.

2000/14/EC, Lawnmower, $50 < L \leq 70$, Annex VI DEKRA Testing and Certification GmbH, Handwerkstraße 15, 70565 Stuttgart, Germany

Notified Body ID No.: 0158

Level of acoustic power according to 2000/14/EC

(Article 12, Annex VI, $50 < L \leq 70$ cm):

L_{WA} (measured sound power) 84 dB(A)

Uncertainty (K) = 1.3 dB(A)

L_{WA} (guaranteed sound power) 88 dB(A)

For more information, please contact DEWALT at the following address or refer to the back of the manual.

The undersigned is responsible for compilation of the technical file and makes this declaration on behalf of DEWALT.

Markus Rompel
Vice-President Engineering, PTE-Europe
DEWALT, Richard-Klinger-Straße 11,
65510, Idstein, Germany
02.08.2023

Batteries				Chargers/Charge Times (Minutes)**									
Cat #	V _{DC}	Ah	Weight (kg)	DCB104	DCB107	DCB112/ DCB1102	DCB113	DCB115/ DCB1104	DCB116	DCB117	DCB118	DCB132	
DCB546	18/54	6.0/2.0	1.08	60	270	170	140	90	80	40	60	90	
DCB547/G	18/54	9.0/3.0	1.46	75*	420	270	220	135*	110*	60	75*	135*	
DCB548	18/54	12.0/4.0	1.46	120	540	350	300	180	150	80	120	180	
DCB549	18/54	15.0/5.0	2.12	125	730	450	380	230	170	90	125	230	

*Date code 201811475B or later

**Battery charge times matrix provided for guidance only; charge times will vary depending on temperature and condition of batteries.



WARNING: To reduce the risk of injury, read the instruction manual.

Definitions: Safety Guidelines

The definitions below describe the level of severity for each signal word. Please read the manual and pay attention to these symbols.



DANGER: Indicates an imminently hazardous situation which, if not avoided, **will** result in **death or serious injury**.



WARNING: Indicates a potentially hazardous situation which, if not avoided, **could** result in **death or serious injury**.



CAUTION: Indicates a potentially hazardous situation which, if not avoided, **may** result in **minor or moderate injury**.

NOTICE: Indicates a practice **not related to personal injury** which, if not avoided, **may** result in **property damage**.



Denotes risk of electric shock.



Denotes risk of fire.

GENERAL POWER TOOL SAFETY WARNINGS



WARNING: Read all safety warnings, instructions, illustrations and specifications provided with this power tool. Failure to follow all instructions listed below may result in electric shock, fire and/or serious injury.

SAVE ALL WARNINGS AND INSTRUCTIONS FOR FUTURE REFERENCE

The term "power tool" in the warnings refers to your mains-operated (corded) power tool or battery-operated (cordless) power tool.

1) Work Area Safety

- Keep work area clean and well lit.** Cluttered or dark areas invite accidents.
- Do not operate power tools in explosive atmospheres, such as in the presence of flammable liquids, gases or dust.** Power tools create sparks which may ignite the dust or fumes.
- Keep children and bystanders away while operating a power tool.** Distractions can cause you to lose control.

2) Electrical Safety

- Power tool plugs must match the outlet. Never modify the plug in any way. Do not use any adapter plugs with earthed (grounded) power tools.** Unmodified plugs and matching outlets will reduce risk of electric shock.
- Avoid body contact with earthed or grounded surfaces, such as pipes, radiators, ranges and refrigerators.** There is an increased risk of electric shock if your body is earthed or grounded.
- Do not expose power tools to rain or wet conditions.** Water entering a power tool will increase the risk of electric shock.
- Do not abuse the cord. Never use the cord for carrying, pulling or unplugging the power tool. Keep cord away from heat, oil, sharp edges or moving parts.** Damaged or entangled cords increase the risk of electric shock.
- When operating a power tool outdoors, use an extension cord suitable for outdoor use.** Use of a cord suitable for outdoor use reduces the risk of electric shock.
- If operating a power tool in a damp location is unavoidable, use a residual current device (RCD) protected supply.** Use of an RCD reduces the risk of electric shock.

3) Personal Safety

- Stay alert, watch what you are doing and use common sense when operating a power tool. Do not use a power tool while you are tired or under the influence of drugs, alcohol or medication.** A moment of inattention while operating power tools may result in serious personal injury.
- Use personal protective equipment. Always wear eye protection.** Protective equipment such as a dust mask, non-skid safety shoes, hard hat or hearing protection used for appropriate conditions will reduce personal injuries.
- Prevent unintentional starting. Ensure the switch is in the off position before connecting to power source and/or battery pack, picking up or carrying the tool.** Carrying power tools with your finger on the switch or energising power tools that have the switch on invites accidents.
- Remove any adjusting key or wrench before turning the power tool on.** A wrench or a key left attached to a rotating part of the power tool may result in personal injury.

- e) **Do not overreach. Keep proper footing and balance at all times.** This enables better control of the power tool in unexpected situations.
 - f) **Dress properly. Do not wear loose clothing or jewellery. Keep your hair and clothing away from moving parts.** Loose clothes, jewellery or long hair can be caught in moving parts.
 - g) **If devices are provided for the connection of dust extraction and collection facilities, ensure these are connected and properly used.** Use of dust collection can reduce dust-related hazards.
 - h) **Do not let familiarity gained from frequent use of tools allow you to become complacent and ignore tool safety principles.** A careless action can cause severe injury within a fraction of a second.
- b) **Use power tools only with specifically designated battery packs.** Use of any other battery packs may create a risk of injury and fire.
 - c) **When battery pack is not in use, keep it away from other metal objects, like paper clips, coins, keys, nails, screws or other small metal objects, that can make a connection from one terminal to another.** Shorting the battery terminals together may cause burns or a fire.
 - d) **Under abusive conditions, liquid may be ejected from the battery; avoid contact. If contact accidentally occurs, flush with water. If liquid contacts eyes, additionally seek medical help.** Liquid ejected from the battery may cause irritation or burns.
 - e) **Do not use a battery pack or tool that is damaged or modified.** Damaged or modified batteries may exhibit unpredictable behaviour resulting in fire, explosion or risk of injury.
 - f) **Do not expose a battery pack or tool to fire or excessive temperature.** Exposure to fire or temperature above 130 °C may cause explosion.
 - g) **Follow all charging instructions and do not charge the battery pack or tool outside the temperature range specified in the instructions.** Charging improperly or at temperatures outside the specified range may damage the battery and increase the risk of fire.

4) Power Tool Use and Care

- a) **Do not force the power tool. Use the correct power tool for your application.** The correct power tool will do the job better and safer at the rate for which it was designed.
- b) **Do not use the power tool if the switch does not turn it on and off.** Any power tool that cannot be controlled with the switch is dangerous and must be repaired.
- c) **Disconnect the plug from the power source and/or remove the battery pack, if detachable, from the power tool before making any adjustments, changing accessories, or storing power tools.** Such preventive safety measures reduce the risk of starting the power tool accidentally.
- d) **Store idle power tools out of the reach of children and do not allow persons unfamiliar with the power tool or these instructions to operate the power tool.** Power tools are dangerous in the hands of untrained users.
- e) **Maintain power tools and accessories. Check for misalignment or binding of moving parts, breakage of parts and any other condition that may affect the power tool's operation. If damaged, have the power tool repaired before use.** Many accidents are caused by poorly maintained power tools.
- f) **Keep cutting tools sharp and clean.** Properly maintained cutting tools with sharp cutting edges are less likely to bind and are easier to control.
- g) **Use the power tool, accessories and tool bits, etc. in accordance with these instructions, taking into account the working conditions and the work to be performed.** Use of the power tool for operations different from those intended could result in a hazardous situation.
- h) **Keep handles and grasping surfaces dry, clean and free from oil and grease.** Slippery handles and grasping surfaces do not allow for safe handling and control of the tool in unexpected situations.

5) Battery Tool Use and Care

- a) **Recharge only with the charger specified by the manufacturer.** A charger that is suitable for one type of battery pack may create a risk of fire when used with another battery pack.

6) Service

- a) **Have your power tool serviced by a qualified repair person using only identical replacement parts.** This will ensure that the safety of the power tool is maintained.
- b) **Never service damaged battery packs.** Service of battery packs should only be performed by the manufacturer or authorised service providers.

Lawnmower Safety Warnings

1. **Do not operate the lawnmower in rain or wet conditions.** This may increase the risk of electric shock.
2. **Do not use the lawnmower in bad weather conditions, especially when there is a risk of lightning.** This decreases the risk of being struck by lightning.
3. **Thoroughly inspect the area for wildlife where the lawnmower is to be used.** Wildlife may be injured by the lawnmower during operation.
4. **Thoroughly inspect the area where the lawnmower is to be used and remove all stones, sticks, wires, bones, and other foreign objects.** Thrown objects can cause personal injury.
5. **Before using the lawnmower, always visually inspect to see that the blade and the blade assembly are not worn or damaged.** Worn or damaged parts increase the risk of injury.
6. **Check the grass catcher frequently for wear or deterioration.** A worn or damaged grass catcher may increase the risk of personal injury.
7. **Keep guards in place. Guards must be in working order and be properly mounted.** A guard that is loose, damaged, or is not functioning correctly may result in personal injury.

8. **Keep all cooling air inlets clear of debris.** Blocked air inlets and debris may result in overheating or risk of fire.
 9. **While operating the lawnmower, always wear non-slip and protective footwear. Do not operate the lawnmower when barefoot or wearing open sandals.** This reduces the chance of injury to the feet from contact with the moving blade.
 10. **While operating the lawnmower, always wear long trousers.** Exposed skin increases the likelihood of injury from thrown objects.
 11. **Do not operate the lawnmower in wet grass. Walk, never run.** This reduces the risk of slipping and falling which may result in personal injury.
 12. **Do not operate the lawnmower on excessively steep slopes.** This reduces the risk of loss of control, slipping and falling which may result in personal injury.
 13. **When working on slopes, always be sure of your footing, always work across the face of slopes, never up or down and exercise extreme caution when changing direction.** This reduces the risk of loss of control, slipping and falling which may result in personal injury.
 14. **Use extreme caution when reversing or pulling the lawnmower towards you. Always be aware of your surroundings.** This reduces the risk of tripping during operation.
 15. **Do not touch blades and other hazardous moving parts while they are still in motion.** This reduces the risk of injury from moving parts.
 16. **When clearing jammed material or cleaning the lawnmower, make sure all power switches are off and the battery pack is disconnected.** Unexpected operation of the lawnmower may result in serious personal injury.
 17. **Stop the cutting means if the machine has to be tilted for transportation when crossing surfaces other than grass and when transporting the machine to and from the area to be used.**
 18. **Do not tilt the machine when switching on the motor.**
 19. **Stop the machine, and remove the safety key and detachable battery pack(s), make sure that all moving parts have come to a complete stop.**
 - After striking a foreign object, and to inspect the machine for damage and make repairs before restarting and operating the machine.
 - If the machine starts to vibrate abnormally, and then to immediately inspect for damage, replace or repair any damaged parts and to check for and tighten any loose parts.
 20. **Empty the grass catcher before storage.**
- Read all of this manual carefully before operating the appliance.
 - The intended use is described in this manual. The use of any accessory or attachment or the performance of any operation with this appliance other than those recommended in this instruction manual may present a risk of personal injury.
 - Retain this manual for future reference.

SAVE ALL WARNINGS AND INSTRUCTIONS FOR FUTURE REFERENCE

Using Your Appliance

Always take care when using the appliance.

- This appliance is not intended for use by young or infirm persons without supervision.
- The appliance is not to be used as a toy.
- Do not allow children or animals to come near the work area or touch the appliance.
- Close supervision is necessary when the appliance is used near children.
- Use in a dry location only. Do not allow the appliance to become wet.
- Do not immerse the appliance in water.
- Do not open body casing. There are no user serviceable parts inside.
- Do not operate the appliance in explosive atmospheres, such as in the presence of flammable liquids, gases or dust.
- Before using, always visually inspect to see that the blades, blade bolts and cutter assembly are not worn or damaged. Replace worn or damaged blades and bolts in sets to preserve balance.
- Never operate the machine while people, especially children, or pets are nearby.
- Keep in mind that the operator or user is responsible for accidents or hazards occurring to other people or their property.

Before Use

- While operating the machine always wear substantial footwear and long trousers. Do not operate the machine when barefoot or wearing open sandals. Avoid wearing clothing that is loose fitting or that has hanging cords or ties.
- Thoroughly inspect the area where the machine is to be used and remove all objects which can be thrown by the machine.
- Before using, always visually inspect to see that the blade, blade bolt and the blade assembly are not worn or damaged. Replace worn or damaged components in sets to preserve balance. Replace damaged or unreadable labels.

After Use

- When not in use, the appliance should be stored in a dry, well ventilated place out of the reach of children.
- Children should not have access to stored appliances.

Safety Instructions



WARNING: When using cordless appliances, basic safety precautions, including the following, should always be followed to reduce the risk of fire, electric shock, personal injury and material damage.



WARNING: When using the machine the safety rules must be followed. For your own safety and bystanders please read these instructions before operating the machine. Please keep the instructions safe for later use.

- When the appliance is stored or transported in a vehicle it should be placed in the boot or restrained to prevent movement following sudden changes in speed or direction.

Inspection and Repairs

- Before use, check the appliance for damaged or defective parts. Check for breakage of parts, damage to switches and any other conditions that may affect its operation.
- Do not use the appliance if any part is damaged or defective.
- Have any damaged or defective parts repaired or replaced by an authorised repair agent.
- Never attempt to remove or replace any parts other than those specified in this manual.
- Be careful during adjustment of the mower to prevent entrapment of the fingers between moving blades/parts and fixed parts of the machine.
- When servicing the blades be aware that, even though the power source is switched off, the blades can still be moved.

Additional Safety Instructions for Lawn Mowers

- Do not transport the machine while the power source is running.
- Firmly grip handle with both hands when operating the lawn mower.
- If at any time it is felt necessary to tilt the lawn mower, make sure that both hands remain in the operating position while the lawn mower is tilted. Keep both hands in the operating position until the lawn mower is returned to rest correctly on the ground.
- Never wear radio or music headphones while operating the lawn mower.
- Never attempt to make a wheel height adjustment while the motor is running or while the safety key is in the switch housing.
- If the lawn mower stalls, release bail bar to turn mower off, wait for blade to stop, before attempting to unplug the chute or remove anything from under the deck.
- Keep hands and feet away from cutting area.
- Keep blades sharp. Always use protective gloves when handling the lawn mower blade.
- If you are using the grass collector, check it frequently for wear and deterioration. If excessively worn, replace with a new grass collector for your safety.
- Use extreme caution when reversing or pulling the lawn mower towards you.
- Do not put hands or feet near or under the lawn mower. Keep clear of the discharger opening at all times.
- Clear the area where the lawn mower is to be used of objects such as rocks, sticks, wire, toys, bones etc., which could be thrown by the blade. Objects struck by the blade can cause severe injury to persons. Stay behind the handle when the motor is running.
- Do not operate the lawn mower barefooted or while wearing sandals. Always wear substantial footwear.
- Do not pull lawn mower backward unless absolutely necessary. Always look down and behind before and while moving backward.
- Never direct discharged material toward anyone. Avoid discharging material against a wall or obstruction. Material may ricochet back toward the operator. Release the bail bar to turn the lawn mower off and stop the blade when crossing gravel surfaces.
- Do not operate the lawn mower without the entire grass collector, discharge guard, rear guard, or other safety protective devices in place and working. Periodically check all guards and safety protective devices to ensure they are in good working order and will operate properly and perform their intended function. Replace a damaged guard or other safety device before further use.
- Never leave a running lawn mower unattended.
- Always release the bail bar to stop the motor and wait until the blade comes to a complete stop before cleaning the lawn mower, removing the grass bag, unclogging the discharge guard, when leaving the lawn mower, or before making any adjustments, repairs or inspections.
- Operate lawn mower only in daylight or good artificial light when objects in the path of the blade are clearly visible from the operating area of the lawn mower.
- Do not operate the lawn mower while under the influence of alcohol or drugs, or when you are tired or ill. Always stay alert, watch what you are doing, and use common sense.
- Avoid dangerous environments. Never operate the lawn mower in damp or wet grass, never use lawn mower in the rain. Always be sure of your footing, walk, never run.
- If the lawn mower should start to vibrate abnormally, release the bail bar, wait for the blade to stop and then check for the cause immediately. Vibration is generally a warning of trouble, see the **Troubleshooting Guide** for advice in the case of abnormal vibration.
- Always wear proper eye and respiratory protection when operating the lawn mower.
- The use of any accessory or attachment not recommended for use with this lawn mower could be hazardous. Only use accessories approved by DEWALT.
- Never overreach while operating the lawn mower. Always be sure to keep proper footing and balance at all times while operating the lawn mower.
- Mow across the face of slopes, never up and down. Exercise extreme caution when changing direction on slopes.
- Watch for holes, ruts, bumps, rocks or other hidden objects. Uneven terrain could cause a slip and fall accident. Tall grass can hide obstacles.
- Do not mow on wet grass or excessively steep slopes. Poor footing could cause a slip and fall accident.
- Do not mow near drop-offs, ditches, or embankments. You could lose your footing or balance.
- Always allow the mower to cool down before storing.
- Pull the plug from the socket and pull the battery pack from the machine. Make sure that all moving parts have come to a complete stop:

- Whenever you leave the machine;
- Before clearing a blockage;
- Before checking, cleaning or working on the appliance.

Safety of Others

- This appliance is not intended for use by persons (including children) with reduced physical, sensory or mental capabilities, or lack of experience and knowledge, unless they have been given supervision or instruction concerning use of the appliance by a person responsible for their safety.
- Children must be supervised to ensure that they do not play with the appliance.
- After striking a foreign object, inspect the appliance for damage and make repairs as necessary.

Residual Risks

In spite of the application of the relevant safety regulations and the implementation of safety devices, certain residual risks cannot be avoided. These are:

- Injuries caused by touching any rotating/moving parts.
- Injuries caused when changing any parts, blades or accessories.
- Injuries caused by prolonged use of a tool. When using any tool for prolonged periods ensure you take regular breaks.
- Impairment of hearing.
- Health hazards caused by breathing dust developed when using your tool (example: working with wood, especially oak, beech and MDF).
- Risk of personal injury due to flying particles.
- Never pick up or carry an appliance while the motor is running.
- Risk of burns due to accessories becoming hot during operation.

SAVE THESE INSTRUCTIONS

Chargers

DEWALT chargers require no adjustment and are designed to be as easy as possible to operate.

Electrical Safety

The electric motor has been designed for one voltage only. Always check that the battery pack voltage corresponds to the voltage on the rating plate. Also make sure that the voltage of your charger corresponds to that of your mains.



Your DEWALT charger is double insulated in accordance with EN60335; therefore, no earth wire is required.

If the supply cord is damaged, it must be replaced only by DEWALT or an authorised service organisation.

Mains Plug Replacement (U.K. & Ireland Only)

If a new mains plug needs to be fitted:

- Safely dispose of the old plug.
- Connect the brown lead to the live terminal in the plug.
- Connect the blue lead to the neutral terminal.



WARNING: No connection is to be made to the earth terminal.

Follow the fitting instructions supplied with good quality plugs. Recommended fuse: 3 A.

Using an Extension Cable

An extension cord should not be used unless absolutely necessary. Use an approved extension cable suitable for the power input of your charger (refer to **Technical Data**). The minimum conductor size is 1 mm²; the maximum length is 30 m. When using a cable reel, always unwind the cable completely.

Important Safety Instructions for All Battery Chargers

SAVE THESE INSTRUCTIONS: This manual contains important safety and operating instructions for compatible battery chargers (refer to **Technical Data**). Before using charger, read all instructions and cautionary markings on charger, battery pack, and product using battery pack.



WARNING: Shock hazard. Do not allow any liquid to get inside charger. Electric shock may result.



WARNING: We recommend the use of a residual current device with a residual current rating of 30 mA or less.



CAUTION: Burn hazard. To reduce the risk of injury, charge only DEWALT rechargeable batteries. Other types of batteries may burst, causing personal injury and damage.



CAUTION: Children should be supervised to ensure that they do not play with the appliance.

NOTICE: Under certain conditions, with the charger plugged into the power supply, the exposed charging contacts inside the charger can be shorted by foreign material. Foreign materials of a conductive nature such as, but not limited to, steel wool, aluminum foil or any buildup of metallic particles should be kept away from charger cavities. Always unplug the charger from the power supply when there is no battery pack in the cavity. Unplug charger before attempting to clean.

- **DO NOT attempt to charge the battery pack with any chargers other than the ones in this manual.** The charger and battery pack are specifically designed to work together.
- **These chargers are not intended for any uses other than charging DEWALT rechargeable batteries.** Any other uses may result in risk of fire, electric shock or electrocution.
- **Do not expose charger to rain or snow.**
- **Pull by plug rather than cord when disconnecting charger.** This will reduce risk of damage to electric plug and cord.
- **Make sure that cord is located so that it will not be stepped on, tripped over, or otherwise subjected to damage or stress.**
- **Do not use an extension cord unless it is absolutely necessary.** Use of improper extension cord could result in risk of fire, electric shock, or electrocution.
- **Do not place any object on top of charger or place the charger on a soft surface that might block the ventilation slots and result in excessive internal heat.**

Place the charger in a position away from any heat source. The charger is ventilated through slots in the top and the bottom of the housing.

- **Do not operate charger with damaged cord or plug**—have them replaced immediately.
- **Do not operate charger if it has received a sharp blow, been dropped, or otherwise damaged in any way.** Take it to an authorised service centre.
- **Do not disassemble charger; take it to an authorised service centre when service or repair is required.** Incorrect reassembly may result in a risk of electric shock, electrocution or fire.
- In case of damaged power supply cord, the supply cord must be replaced immediately by the manufacturer, its service agent or similar qualified person to prevent any hazard.
- **Disconnect the charger from the outlet before attempting any cleaning. This will reduce the risk of electric shock.** Removing the battery pack will not reduce this risk.
- **NEVER attempt to connect two chargers together.**
- **The charger is designed to operate on standard 230V household electrical power. Do not attempt to use it on any other voltage.** This does not apply to the vehicular charger.







Charging a Battery (Fig. B)

1. Plug the charger into an appropriate outlet before inserting battery pack.
2. Insert the battery pack **15** into the charger, making sure the battery pack is fully seated in the charger. The red (charging) light will blink repeatedly, indicating that the charging process has started.
3. The completion of charge will be indicated by the red light remaining ON continuously. The battery pack is fully charged and may be used at this time or left in the charger. To remove the battery pack from the charger, push the battery release button **16** on the battery pack.

NOTE: To ensure maximum performance and life of lithium-ion battery packs, charge the battery pack fully before first use.

Charger Operation

Refer to the indicators below for the charge status of the battery pack.

Charge Indicators	
 Charging	
 Fully Charged	
 Hot/Cold Pack Delay*	

*The red light will continue to blink, but a yellow indicator light will be illuminated during this operation. Once the battery pack has reached an appropriate temperature, the yellow light will turn off and the charger will resume the charging procedure. The compatible charger(s) will not charge a faulty battery pack. The charger will indicate faulty battery by refusing to light.

NOTE: This could also mean a problem with a charger.

If the charger indicates a problem, take the charger and battery pack to be tested at an authorised service centre.

Hot/Cold Pack Delay

When the charger detects a battery pack that is too hot or too cold, it automatically starts a Hot/Cold Pack Delay, suspending charging until the battery pack has reached an appropriate temperature. The charger then automatically switches to the pack charging mode. This feature ensures maximum battery pack life.

A cold battery pack will charge at a slower rate than a warm battery pack. The battery pack will charge at that slower rate throughout the entire charging cycle and will not return to maximum charge rate even if the battery pack warms.

The DCB118 charger is equipped with an internal fan designed to cool the battery pack. The fan will turn on automatically when the battery pack needs to be cooled. Never operate the charger if the fan does not operate properly or if ventilation slots are blocked. Do not permit foreign objects to enter the interior of the charger.

Electronic Protection System

XR Li-Ion tools are designed with an Electronic Protection System that will protect the battery pack against overloading, overheating or deep discharge.

The tool will automatically turn off if the Electronic Protection System engages. If this occurs, place the lithium-ion battery pack in the charger until it is fully charged.

Wall Mounting

These chargers are designed to be wall mountable or to sit upright on a table or work surface. If wall mounting, locate the charger within reach of an electrical outlet, and away from a corner or other obstructions which may impede air flow. Use the back of the charger as a template for the location of the mounting screws on the wall. Mount the charger securely using drywall screws (purchased separately) at least 25.4 mm long with a screw head diameter of 7–9 mm, screwed into wood to an optimal depth leaving approximately 5.5 mm of the screw exposed. Align the slots on the back of the charger with the exposed screws and fully engage them in the slots.

Charger Cleaning Instructions



WARNING: Shock hazard. Disconnect the charger from the AC outlet before cleaning. Dirt and grease may be removed from the exterior of the charger using a cloth or soft non-metallic brush. Do not use water or any cleaning solutions. Never let any liquid get inside the tool; never immerse any part of the tool into a liquid.

Battery Packs

Important Safety Instructions for All Battery Packs

When ordering replacement battery packs, be sure to include catalogue number and voltage.

The battery pack is not fully charged out of the carton. Before using the battery pack and charger, read the safety instructions below. Then follow charging procedures outlined.

READ ALL INSTRUCTIONS

- **Do not charge or use battery in explosive atmospheres, such as in the presence of flammable liquids, gases or**

dust. Inserting or removing the battery from the charger may ignite the dust or fumes.

- **Never force battery pack into charger. Do not modify battery pack in any way to fit into a non-compatible charger as battery pack may rupture, causing serious personal injury.**
- Charge the battery packs only in DEWALT chargers.
- **DO NOT** splash or immerse in water or other liquids.
- **Do not store or use the tool and battery pack in locations where the temperature may fall below 4 °C (39.2 °F) (such as outside sheds or metal buildings in winter), or reach or exceed 40 °C (104 °F) (such as outside sheds or metal buildings in summer).**
- **Do not incinerate the battery pack even if it is severely damaged or is completely worn out.** The battery pack can explode in a fire. Toxic fumes and materials are created when lithium-ion battery packs are burned.
- **If battery contents come into contact with the skin, immediately wash area with mild soap and water.** If battery liquid gets into the eye, rinse water over the open eye for 15 minutes or until irritation ceases. If medical attention is needed, the battery electrolyte is composed of a mixture of liquid organic carbonates and lithium salts.
- **Contents of opened battery cells may cause respiratory irritation.** Provide fresh air. If symptoms persist, seek medical attention.



WARNING: Burn hazard. Battery liquid may be flammable if exposed to spark or flame.



WARNING: Never attempt to open the battery pack for any reason. If battery pack case is cracked or damaged, do not insert into charger. Do not crush, drop or damage battery pack. Do not use a battery pack or charger that has received a sharp blow, been dropped, run over or damaged in any way (i.e., pierced with a nail, hit with a hammer, stepped on). Electric shock or electrocution may result. Damaged battery packs should be returned to service centre for recycling.



WARNING: Fire hazard. Do not store or carry the battery pack so that metal objects can contact exposed battery terminals. For example, do not place the battery pack in aprons, pockets, tool boxes, product kit boxes, drawers, etc., with loose nails, screws, keys, etc.



CAUTION: When not in use, place tool on its side on a stable surface where it will not cause a tripping or falling hazard. Some tools with large battery packs will stand upright on the battery pack but may be easily knocked over.

Transportation



WARNING: Fire hazard. Transporting batteries can possibly cause fire if the battery terminals inadvertently come into contact with conductive materials. When transporting batteries, make sure that the battery terminals are protected and well-insulated from materials that could contact them and cause a short circuit. **NOTE:** Lithium-ion batteries should not be put in checked baggage.

DEWALT batteries comply with all applicable shipping regulations as prescribed by industry and legal standards, which include UN Recommendations on the Transport of Dangerous Goods; International Air Transport Association (IATA) Dangerous Goods Regulations; International Maritime Dangerous Goods (IMDG) Regulations; and the European Agreement Concerning The International Carriage of Dangerous Goods by Road (ADR). Lithium-ion cells and batteries have been tested to section 38.3 of the UN Recommendations on the Transport of Dangerous Goods Manual of Tests and Criteria.

In most instances, shipping a DEWALT battery pack will be excepted from being classified as a fully regulated Class 9 Hazardous Material. In general, only shipments containing a lithium-ion battery with an energy rating greater than 100 Watt Hours (Wh) will require being shipped as fully regulated Class 9. All lithium-ion batteries have the Wh rating marked on the pack. Furthermore, due to regulation complexities, DEWALT does not recommend air shipping lithium-ion battery packs alone regardless of Wh rating. Shipments of tools with batteries (combo kits) can be air shipped as excepted if the Wh rating of the battery pack is no greater than 100 Wh.

Regardless of whether a shipment is considered excepted or fully regulated, it is the shipper's responsibility to consult the latest regulations for packaging, labeling/marketing and documentation requirements.

The information provided in this section of the manual is provided in good faith and believed to be accurate at the time the document was created. However, no warranty, expressed or implied, is given. It is the buyer's responsibility to ensure that its activities comply with the applicable regulations.

Storage Recommendations

1. The best storage place is one that is cool and dry away from direct sunlight and excessive heat or cold. For optimum battery performance and life, store battery packs at room temperature when not in use.
2. For long storage, it is recommended to store a fully charged battery pack in a cool, dry place out of the charger for optimal results.

NOTE: Battery packs should not be stored completely depleted of charge. The battery pack will need to be recharged before use.

Labels on Charger and Battery Pack

In addition to the pictographs used in this manual, the labels on the charger and the battery pack may show the following pictographs:






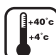




Read instruction manual before use.



Refer to **Technical Data** for charging time.



Do not probe with conductive objects.

-  Do not charge damaged battery packs.
-  Do not expose to water.
-  Have defective cords replaced immediately.
-  Charge only between 4 °C and 40 °C.
-  Only for indoor use.
-  Discard the battery pack with due care for the environment.
-  Charge battery packs only with designated DeWALT chargers. Charging battery packs other than the designated DeWALT batteries with a DeWALT charger may make them burst or lead to other dangerous situations.
-  Do not incinerate the battery pack.

Battery Type

These battery packs may be used: DCB546, DCB547, DCB547G, DCB548, DCB549. Refer to **Technical Data** for more information.

Package Contents

The package contains:

- 1 Lawn mower
- 1 Grass Collection Bag
- 1 Side Discharge Chute
- 1 Safety Key
- 1 Instruction manual

NOTE: Battery packs, chargers and kitboxes are not included with N models. Battery packs and chargers are not included with NT models. B models include Bluetooth® battery packs.

NOTE: The Bluetooth® word mark and logos are registered trademarks owned by the Bluetooth®, SIG, Inc. and any use of such marks by DeWALT is under license. Other trademarks and trade names are those of their respective owners.

- Check for damage to the tool, parts or accessories which may have occurred during transport.
- Take the time to thoroughly read and understand this manual prior to operation.

Markings on Tool

The following pictograms are shown on the tool:



Read instruction manual before use.



Directive 2000/14/EC guaranteed sound power.



Do not expose to rain.



Do not spray with water.



Always wear proper eye protection.



Always wear proper ear protection.



Beware of sharp blades.



To avoid the risk of serious injury do not mow slopes at an angle of more than 15 °/25%.



Do not mow down slopes.



Do not mow up slopes.



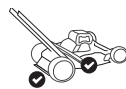
Mow across the face of slopes less than 15 °/25%.



Always look down and behind before and while moving backward.



Do not operate machine without the rear flap or rear side discharge chute in place.



Operate machine with rear flap and rear side discharge chute in place.



Operate machine with rear flap and grass collection bag in place.



Always inspect mowing area before mowing and remove objects that could be thrown by blade.



Rotating blades can cause serious injury. Keep hands and feet clear of mower deck and discharge opening at all times. Always be sure blade has stopped. Release bail handle to turn mower off and wait for the blade to stop rotating (approximately 3 seconds) and remove the safety key and battery pack before removing and replacing grass catcher, cleaning, servicing, transporting or lifting the mower.



Turn mower off and wait for the blade to stop rotating (approximately 3 seconds) and remove the safety key and battery pack before cleaning, servicing, transporting or lifting the mower.



Objects struck by mower blade can cause serious injury. Stay behind the handle when the motor is running. Always ensure persons and pets are a safe distance from the mower while operating. Release bail handle to turn mower off and wait for the blade to stop rotating (approximately 3 seconds) before crossing walk, roads, patio and gravel drives.



Keep children and bystanders away while operating mower.

Date Code Position (Fig. E)

The production date code **61** consists of a 4-digit year followed by a 2-digit week and is extended by a 2-digit factory code.

Description (Fig. A)



WARNING: Never modify the power tool or any part of it. Damage or personal injury could result.

- 1 Single touch handle
- 2 Handle support
- 3 Handle unlock button
- 4 Main handle
- 5 Handle release button
- 6 Safety key
- 7 Switch box
- 8 Bail handle
- 9 Self drive lever (DCMWSP550 only)
- 10 Speed adjustment dial (DCMWSP550 only)
- 11 Power button
- 12 Control panel
- 13 Overheat indicator
- 14 Cutting load meter indicator
- 15 Handle folding indicator
- 16 Blade sharpening indicator
- 17 Blade reset button
- 18 State of charge indicator
- 19 Battery port cover
- 20 Cut height adjustment lever
- 21 Rear door cover
- 22 Grass collection bag
- 23 Grass collection bag handle
- 24 Mulching plug
- 25 Rear side discharge chute

Intended Use

This lawn mower has been designed for professional lawn mowing applications.

DO NOT use under wet conditions or in the presence of flammable liquids or gases.

This lawn mower is a professional lawn care appliance.

DO NOT let children come into contact with the tool.

Supervision is required when inexperienced operators use this tool.

- **Young children and the infirm.** This appliance is not intended for use by young children or infirm persons without supervision.
- This product is not intended for use by persons (including children) suffering from diminished physical, sensory or mental abilities; lack of experience, knowledge or skills unless they are supervised by a person responsible for their safety. Children should never be left alone with this product.

ASSEMBLY AND ADJUSTMENTS



DANGER: To reduce the risk of serious personal injury, turn unit off and remove the safety key and battery pack before making any adjustments or removing/installing attachments or accessories. An accidental start-up can cause injury.

Single Touch Handle Adjustments (Fig. D, E)

The mower is shipped in the storage position. You will need to adjust the single touch handle ① to the operating position before continuing.

Raise the Single Touch Handle (Fig. D, E)

- To unlock the single touch handle ① from the storage position, squeeze the handle unlock button ③.

NOTE: The handle unlock button ③ is located on the back of handle support ②.

NOTE: The main handle ④ must pop out slightly from both sides of the single touch handle tubes before lifting the single touch handle ① from the storage position as shown in Fig. D.
- Raise the single touch handle ① to the locked position. Listen for an audible click and ensure the single touch handle ① is locked into position before proceeding.
- Extend the main handle ④ outward until a set of audible clicks is heard. The single touch handle ① is now in the operation position.

NOTE: Take care to not pinch, pull or otherwise stress the cord ②⑧.

Adjusting the Main Handle Height (Fig. F)

The main handle ④ extends to accommodate taller users.

- To extend the main handle ④ to the lower height position, press the handle release button ⑤ and pull the main handle away from the handle support ② until an audible click is heard, indicating that it is locked into the lower height position.

NOTE: The handle release button ⑤ is located on the bottom of handle support ②.
- To extend the main handle ④ to the upper height position, press the handle release button ⑤ and pull the main handle away from the handle support ② until an audible click is heard, indicating that it is locked into the upper height position.
- Ensure the main handle ④ locks into position before proceeding.

NOTE: When the battery pack ②⑥ and safety key ⑥ are inserted and the bail handle ⑧ is pulled, the handle folding indicator ①⑤ will illuminate if the single touch handle ① is not locked into position.
- To retract the main handle ④ to the lower height position, press the handle release button ⑤ and push the main handle ④ towards the handle support ② until an **audible click is heard**, indicating that it is locked into the lower height position.
- Ensure the main handle ④ locks into position before proceeding.

Storage Mode (Fig. G-L)



DANGER: MAKE CERTAIN THE SAFETY KEY IS REMOVED TO PREVENT ACTUATION BEFORE REMOVING OR INSTALLING BATTERY.



DANGER: Turn unit off and remove safety key and battery pack.

- To retract the main handle ④, press the handle release button ⑤ and push the main handle ④ towards the handle support ② until two audible clicks are heard, indicating that both sides of the handles are locked into position. The main handle ④ must be fully seated against the handle support.

NOTE: The main handle ④ must fully engage the handle windows ②⑨. If they are not engaged as shown in Fig. G, press the main handle ④ towards the handle support ② until two audible clicks are heard and both sides of handle windows ②⑨ are closed as shown in Fig. H.

NOTE: Ensure the two storage latches ③⑩ at the back of the single touch handle ① tubes pop outward as shown in Fig. J before lowering the single touch handle ① into the storage position.
- Fold the single touch handle ① towards the front wheels ③② into storage position. Listen for two audible clicks as the two storage latches ③⑩ slide into the storage slots ③① as shown in Fig. K.
- Ensure the single touch handle ① is locked into storage position before proceeding.
- The mower can be stored standing up, with the collection bag removed, or flat on its wheels as shown in Fig. L.

NOTE: Take care to not pinch, pull or otherwise stress the cord ②⑧.

Grass Collection Bag (Fig. M)



DANGER: Turn unit off and remove safety key and battery pack.

- Lift the rear door cover ②①, remove mulching plug ②④, and place the grass collection bag ②② onto the mower so the bag lugs ②⑩ slide into the slots ③⑨ on the inside plastic surfaces of the handle brackets. Then lower the rear door cover ②①.

NOTE: If installed, remove rear side discharge chute ②⑤ and ensure the rear door cover ②① is fully up before installing grass collection bag ②②.

Mulching (Fig. N)



DANGER: Turn unit off and remove safety key and battery pack.

- To operate mower in mulching mode, remove the grass collection bag ②② or rear side discharge chute ②⑤.
- Lift the rear door cover ②① and slide the mulching plug ②④ fully into the mower.
- Ensure the pins ③⑤ on the mulching plug ②④ engage the slots ③⑥ on the mower as shown in Fig. N.
- Be sure rear door cover ②① is closed.

Side Discharge (Fig. O)



DANGER: Turn unit off and remove safety key and battery pack.

- To operate mower in side discharge mode, remove the grass collection bag **22**.

NOTE: If installed, remove the mulching plug **24**.

- Lift the rear door cover **21** and hook rear side discharge chute **25** onto the mower and engage slot on left as shown in Fig. O.
- Release the rear door cover **21** and ensure the rear side discharge chute **25** is secured in place before operating the mower.

Adjusting Mower Height (Fig. P)

The height of cut is adjusted by the cut height adjust lever **20**.

NOTE: If you are not sure which height to mow at, begin mowing with the cut height adjustment lever **20** positioned at the highest setting and adjust height down as needed for your application.

To Set the Height of Cut

- Pull the cut height adjustment lever **20** out of the locking notch **37**.
- Move the cut height adjustment lever **20** towards the rear of the mower to raise the height of cut.
- Move the cut height adjustment lever **20** towards the front of the mower to lower the height of cut.
- Push the cut height adjustment lever **20** into one of the locking notches **37**.

OPERATION



DANGER: To reduce the risk of serious personal injury, turn unit off and remove the safety key and battery pack before making any adjustments or removing/installing attachments or accessories. An accidental start-up can cause injury.

Proper Hand Position (Fig. G)



WARNING: To reduce the risk of serious personal injury, ALWAYS use proper hand position as shown.



WARNING: To reduce the risk of serious personal injury, ALWAYS hold securely in anticipation of a sudden reaction.

DCMWP500

Proper hand position requires both hands grasping the main handle **4** and bail handle **8** as shown in Fig. Q.

DCMWSP550

Proper hand position requires both hands grasping the main handle **4** and bail handle **8** together when not in self-propel mode; and both hands grasping the main handle, bail handle, and self drive lever **9** together when in self-propel mode as shown in Fig. R.

READ THIS INSTRUCTION MANUAL BEFORE OPERATING YOUR MOWER

Refer to Fig. A at the beginning of this manual for a complete list of components. Save this manual for future reference.



DANGER: Sharp moving blade. Do not operate the mower in mulching mode if the rear door is not closed under spring tension as serious injury could result. Take your mower to the nearest service center for repair.



DANGER: Do not operate mower unless handle is locked into position.



DANGER: Sharp moving blade. Never operate the mower in bagging mode unless the bag lugs on the grass collection bag are seated properly on the mower and the rear door rests firmly against the top of the grass collection bag as serious injury could result.



DANGER: Sharp moving blade. Do not operate the mower in side discharge mode unless the rear side discharge chute is properly installed with the rear door cover resting firmly against it.



WARNING: Let the mower work at its own pace. Do not overload.

Installing and Removing the Battery Pack (Fig. S)



DANGER: MAKE CERTAIN THE SAFETY KEY IS REMOVED TO PREVENT ACTUATION BEFORE REMOVING OR INSTALLING BATTERY.

The mower will turn off and the overheat indicator **13** will blink if the battery pack reaches the high temperature limit, which can be caused by cutting heavy grass. If this occurs, allow the battery pack to cool and then resume cutting with the mower deck set higher.

NOTE: For best results, make sure the battery pack is fully charged.

To Install Battery Pack

- Lift and hold the battery port cover **19** up to expose the battery port **38**.
- Slide a battery pack **26** into the battery port **38** until an audible click is heard (Fig. S).
NOTE: Ensure the battery pack is fully seated and fully latched into position.
- Close the battery port cover **19**. Ensure the battery port cover is fully closed before starting mower.

To Remove Battery Pack

- Lift and hold the battery port cover **19** up to expose the battery port **38**.
- Depress the battery release button **27** and pull the battery pack **26** out of battery port.

Fuel Gauge Battery Packs (Fig. C)

Some DeWALT battery packs include a fuel gauge, which consists of three green LED lights that indicate the level of charge remaining in the battery pack.

To actuate the fuel gauge, press and hold the fuel gauge button **62**. A combination of the three green LED lights will illuminate, designating the level of charge left. When the level of charge in the battery is below the usable limit, the fuel gauge will not illuminate and the battery will need to be recharged.

NOTE: The fuel gauge is only an indication of the charge left on the battery pack. It does not indicate tool functionality and is subject to variation based on product components, temperature and end-user application.

Safety Key (Fig. T)



DANGER: Sharp moving blade. In order to prevent accidental start-up or unauthorized use of your cordless mower, a removable safety key has been incorporated into the design of your mower. The mower will be completely disabled when the safety key has been removed from the mower.



DANGER: Rotating blades can cause serious injury. To prevent serious injury, turn unit off and remove safety key and battery pack when unattended, or when charging, cleaning, servicing, transporting, lifting, or storing mower.

1. Insert safety key **6** into the key slot **50**, located on the main handle **4**, until it is fully seated inside of the key slot **50** as shown in Fig. T.
2. The mower is now operational.

LED Dashboard Indicators (Fig. A, U)

The control panel **12** contains the state of charge indicator, load meter indicator, temperature indicator, handle folding indicator, blade sharpening indicator and reset button.

State of Charge Indicator (Fig. U)



The DCMWP500 and DCMWSP550 are equipped with a state of charge indicator. This will display the current level of charge in the battery during use. It does not indicate tool functionality and is subject to variation based on product components, temperature and end-user application.

- The state of charge indicator LEDs **18** will illuminate, indicating the percent of charge in the battery.
- When all 5 state of charge indicator LEDs **18** illuminate, the battery is fully charged.
- When one state of charge indicator LED **18** illuminates, charge is low and then it will flash when the battery is discharged. Remove the battery and charge it.

State of Charge Indicator LED Status

	LEVEL OF CHARGE	CHARGE INDICATOR LED COLOR
	100% - 85%	White
	70% - 85%	White
	50% - 70%	White
	25% - 50%	White
	≤25%	White
	Low battery shutdown	White and blinking

Handle Folding Indicator (Fig. U)



The handle folding indicator **15** will illuminate when the single touch handle **1** is not engaged in the operating position when the safety key **6** and battery pack **26** are installed, and the bail handle **8** is pulled. To clear the handle folding indicator **15**, refer to the **Raise the Single Touch Handle** section in this manual.

Cutting Load Meter Indicator (Fig. U)



The cutting load meter indicator **14** will illuminate white, yellow or red when mowing.

- White indicates a low cutting load.
- Yellow indicates a medium cutting load.
- Red indicates a high cutting load. Runtime will be reduced if there is a prolonged high load while mowing.

Overheat Indicator (Fig. U)



- The overheat indicator **13** will illuminate amber and then blink when the battery or motor is overloaded during operation.

- The overheat indicator **13** will illuminate red and then blink when the module has reached a high temperature.
- To clear the overheat indicator **13**, allow the battery and mower to cool down. When cooled, restart the mower and resume cutting with the mower deck set higher.

Blade Sharpening Indicator (Fig. U)



The blade sharpening indicator **16** will illuminate when the blades need service. Sharpen or replace the blades, refer to the *Blade Sharpening* section in this manual.

Blade Reset Button (Fig. U)



NOTE: Ensure the battery pack **26** and safety key **6** are installed before attempting to reset.

To clear the blade sharpening indicator **16**, power on the LED dashboard **12** by pulling and holding the bail handle **8** to the main handle **4**. Press and hold the blade reset button **17** until the blade sharpening indicator **16** turns off.

Starting Mower (Fig. Q-T)

! DANGER: Sharp moving blade. Never attempt to override the operation of the switch box and safety key system as serious injury could result.

! WARNING: Ensure self drive is disengaged before starting the mower.

NOTE: Mower is operational when the battery pack **26** and safety key **6** are installed.

1. Lift and hold the battery port cover **19** up to expose the battery port **38**.
2. Slide a battery pack **26** into the battery port **38** until an audible click is heard.
NOTE: Ensure the battery pack is fully seated and fully latched into position before starting mower.
3. Close the battery port cover **19**. Ensure the battery port cover **19** is fully closed before starting the mower.
4. Insert safety key **6** into the key slot **50**, located on the main handle **4**, until it is fully seated inside of the key slot **50** as shown in Fig. T.
5. To power on the LED dashboard **12**, pull and hold the bail handle **8** to the main handle **4**.
6. To start the mower blades, continue to hold the bail handle **8** to the main handle **4** and then press the power button **11**.
NOTE: Once the mower starts you can release the power button **11**, but you must continue to hold the bail handle **8** to the main handle **4** for the mower to stay running.
7. To turn the mower OFF, release the bail handle **8**.

! WARNING: Never attempt to lock a switch or bail handle in the ON position.

NOTE: Once the bail handle **8** has returned to the original position it will activate the "Automatic Braking Mechanism." The motor is braked and the mower blades will stop rotating in three seconds or less. If mower blades rotate longer than three seconds, discontinue using mower and have it serviced.

DCMWSP550 ONLY Self Drive System (Fig. V)

! DANGER: Sharp moving blade. Never attempt to override the operation of the switch box, the self drive system or the safety key system as serious injury could result.

Your mower DCMWSP550 is equipped with a self drive system which functions independently of the mower blades.

1. To use self drive, press the self drive lever **9** towards the main handle **4**.
2. To turn off self drive, release the self drive lever **9**.

NOTE: During cutting, at times it may be easier to maneuver around an object, such as a tree or plants, with the self drive off. The mower can easily be used with the self drive system off.

DCMWSP550 ONLY Speed Adjustment Dial (Fig. W)

Your DCMWSP550 mower is equipped with a speed adjustment dial **10** located next to the control panel **12**. The numbers on the speed adjustment dial **10** indicate how quickly or slowly the self drive system propels the mower. Choosing a lower number propels the mower at a slower pace. Choosing a higher number propels the mower at a faster pace.

1. To increase the speed of the self drive system, rotate the speed adjustment dial **10** towards the rabbit icon **40**.
NOTE: The speed adjustment dial **10** will display a higher number.
2. To decrease the speed of the self drive system, rotate the speed adjustment dial **10** towards the turtle icon **41**.
NOTE: The speed adjustment dial **10** will display a lower number.

Mower Overload

To prevent damage due to overload conditions, do not try to remove too much grass at one time. Slow down your cutting pace, or raise the cut height.

Mowing Tips (Fig. T)

! WARNING: ALWAYS INSPECT AREA WHERE MOWER IS TO BE USED AND REMOVE ALL STONES, STICKS, WIRE, BONES, AND OTHER DEBRIS WHICH MIGHT BE THROWN BY THE ROTATING BLADE.

! WARNING: Mow across the face of slopes, never up-and-down. Exercise extreme caution when changing direction on slopes. Do not mow excessively steep slopes (greater than 15 degrees). Always maintain good footing.

- Release bail handle **8** to turn mower "OFF" when crossing any gravel area (stones can be thrown by the blades).
- Set mower at highest cutting height when mowing in rough ground or in tall weeds. Removing too much grass at one time can cause the motor to be overloaded and to stop.
- If a grass collection bag **22** is used during the fast growing season, the grass may tend to clog up at the discharge opening. Release bail handle to turn mower off, remove the safety key **6** and battery pack **26**. Remove the grass collection bag **22** and shake the grass down to the back end of the bag. Also clean out any grass or debris which may be packed around the discharge opening. Reinstall the grass collection bag **22**.
- If mower should start to vibrate abnormally, release bail handle to turn mower off, remove the safety key and battery pack. Immediately check for cause. Vibration is a warning of trouble. Do not operate the mower until a service check has been made.
- For best cutting results, keep blades sharpened and balanced.
- Inspect and thoroughly clean mower after each use. A deck with caked grass will degrade performance.
- Always release the bail handle to turn mower off, remove safety key and battery pack when leaving it unattended even for a short period of time.

The following suggestions will help you to obtain optimum runtime from your cordless mower:

- Slow down your cutting pace in areas where the grass is especially long or thick.
- Avoid mowing when the grass is wet from rain or dew-soaked.
- Cut your lawn frequently, especially during high growth periods.

NOTE: It is recommended that your battery pack be recharged after each use to prolong the battery pack life. Frequent charging will not harm your battery pack, and will ensure that the battery pack is fully charged and ready for its next use.

NOTE: Storing the battery pack not fully charged will shorten its life.

MAINTENANCE

This product has been designed to operate over a long period of time with a minimum of maintenance. Continuous satisfactory operation depends upon proper care and regular cleaning.

! DANGER: To reduce the risk of serious personal injury, turn unit off and remove the safety key and battery pack before making any adjustments or removing/installing attachments or accessories. An accidental start-up can cause injury.

The charger and battery pack are not serviceable.

Optional Accessories

! WARNING: Since accessories, other than those offered by DEWALT, have not been tested with this product, use of such accessories with this tool could be hazardous. To reduce the risk of injury, only DEWALT-recommended accessories should be used with this product.

Consult your dealer for further information on the appropriate accessories.

Removing and Installing Blades

(Fig. X–DD)

! DANGER: RISK OF INJURY. WHEN REASSEMBLING THE BLADE SYSTEM, ENSURE EACH PART IS REINSTALLED CORRECTLY, AS DESCRIBED BELOW. IMPROPER ASSEMBLY OF THE BLADES OR OTHER PARTS OF THE BLADE SYSTEM MAY CAUSE SERIOUS INJURY.

! DANGER: To reduce the risk of serious personal injury, turn unit off, remove safety key and battery packs before making any adjustments or removing/installing attachments or accessories. An accidental start-up can cause injury.

Replacement blades are available from your nearest authorized service center. This mower requires replacement blades: DT20902.

Cut a piece of 38 mm x 89 mm timber **42** (about 61 cm long) to keep blades from turning when removing the blade assembly bolt **43**.

! WARNING: Use gloves and proper eye protection. Turn the mower on its side. Be careful of sharp edges of blades.

1. Position the mower on its side, with two wheels flat on the ground.
2. Position the 38 mm x 89 mm timber **42** between the blade assembly **47** and outer lip of deck as shown in Fig. X to keep the blades from turning.
3. Unscrew and remove the blade assembly bolt **43** counterclockwise with a 14 mm (9/16") wrench **44** (not included) as shown in Fig. X, Y.
4. Remove the keyed spacer **45** and blade assembly **47** from the blade shaft **49**.
5. Secure the blade assembly **47** in a vise **34** as shown in Fig. Z.
6. Unscrew the four blade nuts **51** counterclockwise with a 14 mm (9/16") wrench **44** (not included) as shown in Fig. Z. First unscrew the two blade nuts **51** for blade **1** **52** and remove blade **1**. Then unscrew the two blade nuts **51** for blade **2** **53** and pull blade **2** from the blade hub **48**.
NOTE: The mower blades **52** and **53** have keyed mounting holes **55** permitting them to only be installed onto the blade hub **48** in the correct orientation.
7. Examine all pieces for damage and replace if necessary.
8. Install sharpened or new blades onto the blade hub **48** as shown in Fig. AA, BB.
9. Blade **2** **53** is installed first, the bolt holes being aligned with the outer blade studs **56** and keyed mounting

hole **55** on the blade hub **48** as shown in Fig. AA.

NOTE: Ensure the keyed mounting hole **55** engages the key **57** on the blade hub **48** as shown in Fig. AA. The key **57** should be proud of blade **2 53**.

10. Blade **1 52** is installed second, the bolt holes being aligned with the inner blade studs **58** and keyed mounting hole **55** on the blade hub **48** as shown in Fig. BB.

NOTE: Ensure the keyed mounting hole **55** engages the key **57** on the blade hub **48** and sits flush as shown in Fig. BB.

NOTE: If blade **1 52** is not flush with the key **57** on the blade hub **48**, then the blades have been mounted in the incorrect order and must be reversed.


11. Thread the four blade nuts **51** onto the blade studs **56** and **58** as shown in Fig. AA, BB. Hand tighten the four blade nuts **51**.

NOTE: When replacing sharpened or new blades on blade hub **48** make sure the bottom of the blade as marked **Grass Side** will be facing the ground when the mower is returned to its normal upright position.

12. Secure the blade assembly **47** in a vise **34**. Tighten the four blade nuts **51** clockwise with a 14 mm (9/16") wrench **44** (not included). Torque the four blade nuts **51** to 18-27 Nm (13-20 ft-lbs).
13. In this order, install the blade assembly **47** and keyed spacer **45** onto the blade shaft **49** as shown in Fig. CC.
NOTE: Align the keys **46** on the keyed spacer **45** with the key slots **60** on the blade shaft **49** as shown in Fig. CC.
14. Install the blade assembly bolt **43** and hand tighten.
15. Position the 38 mm x 89 mm timber **42** between the blade assembly **47** and outer lip of deck as shown in Fig. DD to keep the blades from turning.
16. Fully tighten the blade assembly bolt **43** using a 14 mm (9/16") wrench **44** (not included). Torque the blade assembly bolt **43** to 50-68 Nm (37-50 ft-lbs).
17. Return the mower to its normal upright position.

Blade Sharpening (Fig. EE)

KEEP BLADE SHARP FOR BEST MOWER PERFORMANCE. A DULL BLADE DOES NOT CUT GRASS CLEANLY.

 **WARNING:** Use gloves and proper eye protection while removing, sharpening, and installing blades. Ensure that safety key and battery pack are removed.

Sharpening the blades twice during a mowing season is usually sufficient under normal circumstances. Sand causes the blade to dull quickly. If your lawn has sandy soil, more frequent sharpening may be required. **REPLACE BENT OR DAMAGED BLADES IMMEDIATELY.**

When Sharpening a Blade:

- Make sure blade remains balanced.
- Sharpen blades at the original cutting angle.
- Sharpen cutting edges on both ends of blade, removing equal amounts of material from both ends.


To Sharpen Blade in a Vise (Fig. EE)


1. Be sure the bail handle is released, the blades have stopped and safety key and battery pack are removed before removing the blades.
2. Remove blades from mower. See instructions for **Removing and Installing Blades**.
3. Secure blade **52** or **53** in a vise **34**.
4. Wear proper eye protection and gloves and be careful not to cut yourself.
5. Carefully file the cutting edges of the blade with a fine tooth file **54** (not included) or sharpening stone (not included), maintaining the angle of the original cutting edge.
6. Check balance of blade. See instructions for **Blade Balancing**.
7. Replace blades on mower and tighten securely.

Blade Balancing (Fig. EE, FF)

Check balance of each blade **52** or **53** by placing the keyed mounting hole **55** over a nail or round screwdriver **59**, clamped horizontally in a vise **34**. If either end of a blade rotates downward, file along the sharp edge of that dropping end. Blade is properly balanced when neither end drops.

Cleaning (Fig. A)

 **WARNING:** Blow dirt and dust out of all air vents with clean, dry air at least once a week. To minimize the risk of eye injury, always wear approved eye protection and approved dust mask when performing this procedure.


 **WARNING:** Never use solvents or other harsh chemicals for cleaning the non-metallic parts of the tool. These chemicals may weaken the plastic materials used in these parts. Use a cloth dampened only with water and mild soap. Never let any liquid get inside the tool; never immerse any part of the tool into a liquid.

- Release bail handle **8** to turn mower off, let the blades come to a stop.
- Remove the battery pack and safety key.
- Clean out any clippings which may have accumulated on the underside of the deck. Do not spray with water or any other liquids.
- After several uses, check all exposed fasteners for tightness.

Corrosion (Fig. A)

Fertilizers and other garden chemicals contain agents which greatly accelerate the corrosion of metals. If you mow in areas where fertilizers or chemicals have been used, the mower should be cleaned immediately afterward as follows:

Release bail handle **8** to turn mower off and remove battery and safety key. Wipe all exposed parts with a damp cloth.

 **CAUTION:** Do not pour or spray water on the mower in an attempt to clean it. Do not store the tool on or adjacent to fertilizers or chemicals. Such storage can cause rapid corrosion.

Lubrication

Your power tool requires no additional lubrication.

Protecting the Environment




Products/batteries are recyclable, but if marked with the crossed-out bin, they must not be disposed of with normal household waste.

Run the batteries down completely and separate them, and separate any light sources from the product if possible. It is the user's responsibility to delete personal data from the product. Then take the waste to an official waste collection center or a participating retailer who will often accept it free of charge. Packaging should be discarded based on the marked material code. Operating and safety instructions should only be discarded once the applicable product is no longer in use.

Please check with your local community/municipality for waste management guidance. For further information, visit www.2helpU.com and scan the above QR code.

TROUBLESHOOTING GUIDE

 **DANGER:** To reduce the risk of serious personal injury, turn unit off, remove safety key, and remove battery pack before making any adjustments or removing/installing attachments or accessories. An accidental start-up can cause injury.

For assistance with your product call your local DEWALT authorised service centre.

PROBLEM	SOLUTION
Mower doesn't run when bail handle is activated	<p>Check to make sure safety key has been installed and is fully seated and that power button has been pressed.</p> <p>Release bail handle. Turn mower off. Remove safety key and battery pack. Turn mower over and check that the blades turn freely.</p> <p>Check that the battery cavity is free of debris and is connected properly.</p> <p>Has battery been fully charged? Press state of charge button.</p> <p>If the handle folding indicator 15 is illuminated refer to the Raise the Single Touch Handle section in this manual.</p>
Blade motor stops while mowing	<p>Release bail handle. Turn mower off. Remove safety key and battery pack. Turn mower over and check that the blades turn freely.</p> <p>Raise cutting height of wheels to highest position and start mower.</p> <p>Check that the battery cavity is free of debris.</p> <p>Has battery been fully charged? Press state of charge button.</p> <p>Avoid overloading the mower. Slow down the cutting pace, or raise the cut height.</p> <p>If the overheat indicator 13 is illuminated allow the battery and mower to cool down. When cooled, restart the mower and resume cutting with the mower deck set higher.</p>
The single touch handle 1 will not lock into the storage position	<p>Ensure the two storage latches 30 at the bottom of the single touch handle 1 tubes pop outward before lowering the single touch handle 1 into the storage position.</p> <p>The main handle 4 must fully engage the handle windows 29. If they are not engaged as shown in Fig. G, press the main handle 4 towards the handle support 2 until two audible clicks are heard and both sides of handle windows 29 are closed as shown in Fig. H.</p>
Self drive motor stops while working	<p>Shut down power to the self driving mower.</p> <p>Clean the self drive motor housing of debris.</p> <p>Check that the wheels are spinning freely.</p>
Mower runs but cutting performance is unsatisfactory, or does not cut entire lawn	<p>Has battery been fully charged? Press state of charge button.</p> <p>Release bail handle to turn mower off. Remove safety key and battery pack. Turn mower over and check:</p> <ul style="list-style-type: none"> • Blades for sharpness - Keep blades sharp. • Deck and discharge chute for clogging. <p>Wheel height adjustment may be set too low for grass condition. Raise cutting height.</p> <p>The blade sharpening indicator 16 will illuminate when the blades need service. Sharpen or replace the blades, refer to the Blade Sharpening section in this manual.</p>
Mower is too hard to push	<p>Release bail handle to turn mower off. Remove safety key and battery pack. Raise cutting height to reduce deck drag on grass. Check each wheel for free rotation.</p> <p>If the overheat indicator 13 is illuminated allow the battery and mower to cool down. When cooled, restart the mower and resume cutting with the mower deck set higher.</p>
Mower is abnormally noisy and vibrates	<p>Release bail handle to turn mower off. Remove safety key and battery pack. Turn mower on side and check blade to ensure it has not been bent or damaged. If blade is damaged, replace with a DEWALT replacement blade. If the underside of the deck is damaged, return mower to a DEWALT authorised service centre.</p> <p>If there is no visible damage to the blade and the mower still vibrates: Release bail handle to turn mower off. Remove safety key and battery pack. Disassemble entire blade assembly as described in the Removing and Installing Blades section. Remove any debris and clean each piece. Replace each piece as described in the Removing and Installing Blades section. If mower still vibrates, return the mower to an authorised DEWALT service centre.</p>
Mower not picking up clippings with bag	<p>Chute clogged. Release bail handle to turn mower off. Remove safety key and battery pack. Clear chute of grass clippings.</p> <p>Raise cutting height of wheels to shorten length of the cut.</p> <p>Bag full. Empty bag more often.</p>

DCMWP500 54В ГАЗОНОКОСИЛКА

DCMWSP550 54В САМОХОДНАЯ КОСИЛКА

Поздравляем!

Вы приобрели инструмент DEWALT. Многолетний опыт, тщательная разработка изделий и инновации делают компанию DEWALT одним из самых надёжных партнеров для пользователей профессионального электроинструмента.

Технические характеристики

		DCMWP500	DCMWSP550
Напряжение	В пост. тока	54	54
Тип аккумуляторной батареи	Ионно-литиевая	Ионно-литиевая	Ионно-литиевая
Скорость без нагрузки	об/мин	2500	2500
Максимальная скорость	об/мин	2800	2800
Длина ножа	см	53	53
Вес	кг	26	29

Значения шума и вибрации (сумма векторов в трех плоскостях) в соответствии с EN62841-1

L_{pA} (уровень звукового давления)	дБ(A)	77	77
K (погрешность измерения акустической мощности)	дБ(A)	3	3
L_{WA} (уровень акустической мощности)	дБ(A)	84	84
K (погрешность измерения акустической мощности)	дБ(A)	1.3	1.3
Вибрационная нагрузка на руку/плечо:			
Значение вибрационного воздействия a_{h1} =	м/с ²	2,5	2,5
Погрешность K =	м/с ²	1,5	1,5

Значение шумовой эмиссии и/или эмиссии вибрации, указанное в данном справочном листке, было получено в соответствии со стандартным тестом, приведенным в EN62841, и может использоваться для сравнения инструментов. Кроме того, оно может использоваться для предварительной оценки воздействия вибрации.

⚠ ОСТОРОЖНО! *Заявленное значение шумовой эмиссии и/или эмиссии вибрации относится к основным областям применения инструмента. Однако, если инструмент используется для различных целей, с различными дополнительными принадлежностями или при ненадлежащем уходе, то уровень шума и/или вибрации может измениться. Это может привести к значительному увеличению уровня воздействия вибрации в течение всего рабочего периода.*

При расчете приблизительного значения уровня воздействия шума и/или вибрации также

необходимо учитывать время, когда инструмент выключен или то время, когда он работает на холостом ходу. Это может привести к значительному снижению уровня воздействия вибрации в течение всего рабочего периода.

Определите дополнительные меры техники безопасности для защиты оператора от воздействия шума и/или вибрации, а именно: поддержание инструмента и дополнительных принадлежностей в рабочем состоянии, создание комфортных условий работы (соответствующих вибрации), хорошая организация рабочего места.

Заявление о соответствии нормам ЕС Директива по механическому оборудованию



54В газонокосилка DCMWP500, DCMWSP550

DEWALT заявляет, что продукты, описанные в разделе «Технические характеристики» соответствуют: 2006/42/EC, EN 62841-1:2015 + A11:2022; EN IEC 62841-4-3:2021 + A11:2021.

Данные продукты также соответствуют Директивам 2014/30/EU и 2011/65/EU.

2000/14/EC, Колесная газонокосилка, 50 < L ≤ 70, Приложение VI DEKRA Testing and Certification GmbH, Handwerkstraße 15, 70565 Stuttgart, Германия.

Номер уполномоченного органа: 0158

Уровень акустической мощности в соответствии с директивой 2000/14/EC (Статья 12, Приложение VI, 50 < L ≤ 70 см):

L_{WA} (измеренная звуковая мощность) 84 дБ(A)

Погрешность (K) = 1.3 дБ(A)

L_{WA} (гарантированная акустическая мощность) 88 дБ(A)

Для получения дополнительной информации обратитесь в компанию DEWALT по адресу, указанному ниже или приведенному на задней стороне обложки руководства. Нижеподписавший несет ответственность за составление технической документации и составил данную декларацию по поручению компании DEWALT.

Маркус Ромпель
Вице-президент отдела по разработке и производству,
PTE-Europe
DEWALT, Richard-Klinger-Straße 11,

Батареи				Зарядные устройства/время зарядки (мин)**								
Кат. №	V пост. тока	Ah	Вес (kg)	DCB104	DCB107	DCB112/ DCB1102	DCB113	DCB115/ DCB1104	DCB116	DCB117	DCB118	DCB132
DCB546	18/54	6,0/2,0	1,08	60	270	170	140	90	80	40	60	90
DCB547/G	18/54	9,0/3,0	1,46	75*	420	270	220	135*	110*	60	75*	135*
DCB548	18/54	12,0/4,0	1,46	120	540	350	300	180	150	80	120	180
DCB549	18/54	15,0/5,0	2,12	125	730	450	380	230	170	90	125	230

*Код даты 201811475В или новее

**Таблица представлена только для справки; время зарядки может варьироваться.

65510, Idstein, Германия
02.08.2023



ВНИМАНИЕ: Во избежание риска получения травм ознакомьтесь с инструкцией.

Обозначения: правила техники безопасности

Ниже описывается уровень опасности, обозначаемый каждым из предупреждений. Прочитайте руководство и обратите внимание на данные символы.



ОПАСНО: Обозначает опасную ситуацию, которая неизбежно приведет к **серьезной травме или смертельному исходу**, в случае несоблюдения соответствующих мер безопасности.



ВНИМАНИЕ: Указывает на потенциально опасную ситуацию, которая, в случае несоблюдения соответствующих мер безопасности, может привести к **серьезной травме или смертельному исходу**.



ПРЕДУПРЕЖДЕНИЕ: Указывает на потенциально опасную ситуацию, которая, в случае несоблюдения соответствующих мер безопасности **может** стать причиной травм **средней или легкой степени тяжести**.

ПОЯСНЕНИЕ: Указывает на практики, использование которых не связано с получением травмы, но если ими пренебречь, могут привести к **порче имущества**.



Указывает на риск поражения электрическим током.



Указывает на риск возгорания.

ОБЩИЕ ПРАВИЛА ТЕХНИКИ БЕЗОПАСНОСТИ ПРИ ИСПОЛЬЗОВАНИИ ЭЛЕКТРОИНСТРУМЕНТОВ



ВНИМАНИЕ: Прочитайте и просмотрите все предупреждения, инструкции, иллюстрации и спецификации по данному электроинструменту. Несоблюдение всех приведенных ниже инструкций может стать причиной поражения электрическим током, возгорания и/или тяжелой травмы.

СОХРАНИТЕ ВСЕ ИНСТРУКЦИИ ДЛЯ ПОСЛЕДУЮЩЕГО ИСПОЛЬЗОВАНИЯ

Термин «электроинструмент» в предупреждениях относится к работающим от сети (проводным) электроинструментам или работающим от аккумуляторной батареи (беспроводным) электроинструментам.

1) Безопасность на рабочем месте

- Следите за чистотой и хорошим освещением на рабочем месте.** Захламленное или плохо освещенное рабочее место может стать причиной несчастного случая.
- Запрещается работать с электроинструментами во взрывоопасных местах, например, вблизи легковоспламеняющихся жидкостей, газов и пыли.** Искры, которые появляются при работе электроинструментов могут привести к воспламенению пыли или паров.
- Следите за тем, чтобы во время работы с электроинструментом в зоне работы не было посторонних и детей.** Отвлекаясь от работы вы можете потерять контроль над инструментом.

2) Электробезопасность

- Штепсельная вилка электроинструмента должна соответствовать розетке. Никогда не меняйте вилку инструмента. Запрещается использовать переходники к вилкам для электроинструментов с заземлением.** Использование оригинальных штепсельных вилок, соответствующих типу сетевой розетки снижает риск поражения электрическим током.
- Избегайте контакта с заземленными поверхностями, такими как трубы, радиаторы и холодильники.** Если вы будете заземлены, увеличивается риск поражения электрическим током.
- Запрещается оставлять электроинструмент под дождем и в местах повышенной влажности.** При попадании воды в электроинструмент риск поражения электротокном возрастает.
- Берегите кабель от повреждений. Никогда не используйте кабель для переноски инструмента, не тяните за него, пытайтесь**

отключить инструмент от сети. Держите кабель подальше от источников тепла, масла, острых углов или движущихся предметов.

Поврежденный или запутанный кабель питания повышает риск поражения электрическим током.

- e) **При работе с электроинструментом на открытом воздухе используйте удлинитель, подходящий для использования на улице.**
Использование кабеля питания, предназначенного для использования вне помещения, снижает риск поражения электрическим током.
- f) **Если использование электроинструмента в условиях повышенной влажности неизбежно, используйте устройства защитного отключения (УЗО) для защиты сети.**
Использование УЗО сокращает риск поражения электрическим током.

3) Обеспечение индивидуальной безопасности

- a) **Будьте внимательны, смотрите, что делаете и не забывайте о здравом смысле при работе с электроинструментом. Запрещается работать с электроинструментом в состоянии усталости, наркотического, алкогольного опьянения или под воздействием лекарственных препаратов.** Невнимательность при работе с электроинструментом может привести к серьезным телесным повреждениям.
- b) **Используйте индивидуальные средства защиты. Всегда используйте защитные очки.** Средства защиты, такие как пылезащитная маска, обувь с нескользящей подошвой, каска и защитные наушники, используемые при работе, уменьшают риск получения травм.
- c) **Примите меры для предотвращения случайного включения. Перед тем как подключить электроинструмент к сети и/или аккумуляторной батарее, возьмите инструмент или перенести его на другое место, убедитесь в том, что выключатель находится в положении «Выкл.».** Если при переноске электроинструмента он подключен к сети, и при этом ваш палец находится на выключателе, это может стать причиной несчастных случаев.
- d) **Уберите все регулировочные или гаечные ключи перед включением электроинструмента.** Ключ, оставленный на вращающейся части электроинструмента, может привести к травме.
- e) **Не пытайтесь дотянуться до слишком удаленных поверхностей. Обувь должна быть удобной, чтобы вы всегда могли сохранять равновесие.** Это позволит лучше контролировать электроинструмент в непредвиденных ситуациях.
- f) **Одевайтесь соответствующим образом. Избегайте носить свободную одежду и ювелирные украшения. Следите за тем, чтобы волосы и одежда не попадали под движущиеся детали.** Возможно наматывание

свободной одежды, ювелирных изделий и длинных волос на движущиеся детали.

- g) **При наличии устройств для подключения оборудования для удаления и сбора пыли необходимо обеспечить правильность их подключения и эксплуатации.** Использование устройства для пылеудаления сокращает риски, связанные с пылью.
- h) **Не позволяйте хорошему знанию от частого использования инструментов стать причиной самонадеянности и игнорирования правил техники безопасности.** Небрежное действие может повлечь серьезные травмы за долю секунды.

4) Эксплуатация электроинструмента и уход за ним

- a) **Избегайте чрезмерной нагрузки электроинструмента. Используйте электроинструмент в соответствии с назначением.** Правильно подобранный электроинструмент выполнит работу более эффективно и безопасно при стандартной нагрузке.
- b) **Не пользуйтесь инструментом, если не работает выключатель. Любой инструмент, управлять выключением и включением которого невозможно, опасен, и его необходимо отремонтировать.**
- c) **Перед выполнением любых настроек, сменой аксессуаров или прежде чем убрать инструмент на хранение, отключите его от сети и/или снимите с него аккумуляторную батарею, если ее можно снять.** Такие превентивные меры безопасности сокращают риск случайного включения электроинструмента.
- d) **Храните электроинструмент в недоступном для детей месте и не позволяйте работать с инструментом людям, не имеющим соответствующих навыков работы с такого рода инструментами.** Электроинструмент представляет опасность в руках неопытных пользователей.
- e) **Поддерживайте электроинструмент и принадлежности в исправном состоянии. Проверьте, не нарушена ли центровка или не заклинены ли движущиеся детали, нет ли повреждений или иных неисправностей, которые могли бы повлиять на работу электроинструмента. В случае обнаружения повреждений, прежде чем приступить к эксплуатации электроинструмента, его нужно отремонтировать.** Большинство несчастных случаев происходит из-за электроинструментов, которые не обслуживаются должным образом.
- f) **Содержите режущий инструмент в остро заточенном и чистом состоянии.** Вероятность заклинивания инструмента, за которым следят

должным образом и который хорошо заточен, значительно меньше, а работать с ним легче.

- g) **Используйте электроинструменты, принадлежности и насадки в соответствии с данными инструкциями, принимая во внимание условия работы и характер выполняемой работы.** Использование электроинструмента для выполнения операций, для которых он не предназначен, может привести к созданию опасных ситуаций.
- h) **Все рукоятки и поверхности захватывания должны быть сухими и без следов смазки.** Скользкие рукоятки и поверхности захватывания не позволяют обеспечить безопасность работы и управления инструментом в непредвиденных ситуациях.

5) Использование аккумуляторных электроинструментов и уход за ними

- a) **Используйте для зарядки аккумуляторной батареи только указанное производителем зарядное устройство.** Использование зарядного устройства определенного типа для зарядки других батарей может привести к возгоранию.
- b) **Используйте для электроинструмента только батареи указанного типа.** Использование других аккумуляторных батарей может стать причиной травмы и пожара.
- c) **Оберегайте батарею от попадания в нее скрепок, монет, ключей, гвоздей, болтов или других мелких металлических предметов, которые могут вызывать замыкание контактов.** Короткое замыкание контактов аккумуляторной батареи может привести к пожару или получению ожогов.
- d) **При повреждении батареи, из нее может вытечь электролит. Не прикасайтесь к нему. При случайном контакте с электролитом смойте его водой. При попадании электролита в глаза обратитесь за медицинской помощью.** Жидкость, находящаяся внутри батареи, может вызвать раздражение или ожоги.
- e) **Не используйте поврежденные или измененные аккумуляторные батареи или инструменты.** Поврежденные или измененные аккумуляторные батареи могут работать непредсказуемо, что может привести к возгоранию, взрыву или риску получения травм.
- f) **Не подвергайте аккумуляторные батареи или инструмент воздействию огня или повышенной температуры.** Открытый огонь или воздействие высокой температуры выше 130 °C может привести к взрыву.
- g) **Следуйте всем инструкциям по зарядке и не заряжайте аккумуляторную батарею или инструмент вне температурного диапазона, указанного в инструкции.** Неправильная зарядка или зарядка вне указанного температурного

диапазона может привести к повреждению батареи и увеличить риск возгорания.

6) Обслуживание

- a) **Обслуживание электроинструмента должен проводить квалифицированный специалист с использованием только оригинальных запасных частей.** Это позволит обеспечить безопасность обслуживаемого электрифицированного инструмента.
- b) **Не выполняйте обслуживание поврежденных электро батарей.** Обслуживание аккумуляторных батарей должно выполняться только производителем или авторизованными поставщиками услуг.

Правила техники безопасности для колесных газонокосилок

- Не работайте колесной газонокосилкой во время дождя или по мокрой поверхности.** Это повышает риск поражения электрическим током.
- Не используйте колесную газонокосилку в плохих погодных условиях, особенно в случае опасности удара молнии.** Это уменьшает риск удара молнии.
- Тщательно осмотрите участок, на котором предполагается использовать газонокосилку, на присутствие в нем диких животных.** Газонокосилка может ранить диких животных во время работы.
- Тщательно осмотрите участок, где предполагается использовать газонокосилку, и уберите все камни, палки, провода, кости и прочие посторонние предметы.** Отброшенные ножами предметы могут стать причиной травмы.
- Перед эксплуатацией всегда выполняйте визуальный осмотр ножа, болта крепления ножа и режущего узла на наличие признаков износа и повреждений.** Использование изношенных или поврежденных деталей повышает риск получения травмы.
- Регулярно проверяйте травосборник на наличие признаков износа и повреждений.** Изношенный или поврежденный травосборник может увеличить риск получения травмы.
- Защитные кожухи всегда должны быть установлены на инструмент. Защитные кожухи должны быть в исправном состоянии и надежно установлены.** ненадежно закрепленный, поврежденный или неисправно работающий защитный кожух может привести к получению травмы.
- Следите за тем, чтобы все впускные отверстия для охлаждающего воздуха не были забиты мусором.** Засорение впускных отверстий для воздуха и мусор могут привести к перегреву или возникновению пожара.
- При работе колесной газонокосилкой всегда надевайте защитную обувь на нескользящей**

подошве. Запрещается работать колесной газонокосилкой босиком или в открытых сандалиях. Это снизит риск травмирования ног вследствие контакта с движущимся ножом.

10. **При работе колесной газонокосилкой всегда надевайте длинные брюки.** Оставление участков тела открытыми повышает вероятность травмы от отброшенных предметов.
11. **Не работайте колесной газонокосилкой по мокрой траве. Перемещайтесь только шагом и никогда не бегите.** Это снизит риск поскользнуться и упасть, что может привести к травме.
12. **Не работайте колесной газонокосилкой на чрезвычайно крутых склонах.** Это снизит риск потерять контроль над инструментом, поскользнуться и упасть, что может привести к травме.
13. **При работе на склонах всегда следите за своей опорой, всегда работайте поперек склона, а не вверх или вниз, и соблюдайте предельную осторожность при изменении направления.** Это снизит риск потерять контроль над инструментом, поскользнуться и упасть, что может привести к травме.
14. **Соблюдайте особую осторожность при перемещении газонокосилки в направлении на себя. Всегда знайте, что находится вокруг вас.** Это снизит риск споткнуться во время работы.
15. **Не дотрагивайтесь до ножей и других опасных движущихся деталей, пока они продолжают свое движение.** Это снизит риск получения травмы от контакта с движущимися частями.
16. **Прежде чем удалить застрявший материал или провести чистку колесной газонокосилки убедитесь, что все выключатели находятся в положении «Выкл.» и из инструмента извлечена аккумуляторная батарея.** Внезапный запуск колесной газонокосилки может привести к тяжелой травме.
17. **Процесс кошения останавливают, если машину необходимо наклонить для транспортировки при пересечении поверхностей, отличных от травы, а также при транспортировке машины к месту использования и обратно.**
18. **Не наклоняйте машину при включении двигателя.**
19. **Остановите машину, извлеките ключ безопасности и съемную аккумуляторную батарею (батареи), убедитесь, что все движущиеся части полностью остановились.**
 - После удара о посторонний предмет, проверьте машину на предмет повреждений и выполните ремонт перед тем, как заново запустить и использовать машину.
 - Если машина начинает ненормально вибрировать, немедленно проверьте ее на наличие повреждений, замените или отремонтируйте все поврежденные

детали, а также проверьте и затяните все незакрепленные детали.

20. Перед хранением опорожните травосборник.

Правила техники безопасности



ВНИМАНИЕ: Для снижения риска возникновения пожара, поражения электрическим током, получения травм и материального ущерба при использовании инструментов с питанием от аккумуляторной батареи нужно обязательно соблюдать основные меры предосторожности, включая следующее.



ВНИМАНИЕ: При использовании инструмента обязательно соблюдайте правила техники безопасности. Для вашей собственной безопасности и безопасности окружающих прочитайте данное руководство, прежде чем приступить к работе с инструментом. Сохраните руководство для дальнейшего использования.

- Прежде чем приступить к работе с инструментом, внимательно прочитайте настоящее руководство.
- В данном руководстве по эксплуатации описывается назначение инструмента. Использование каких-либо принадлежностей или насадок, а также выполнение каких-либо операций, отличных от рекомендованных в данном руководстве, может привести к травмам.
- Сохраните данное руководство для справки в будущем.

СОХРАНИТЕ ВСЕ ИНСТРУКЦИИ ДЛЯ ПОСЛЕДУЮЩЕГО ИСПОЛЬЗОВАНИЯ

Использование инструмента

Сохраняйте бдительность при использовании инструмента.

- Данный инструмент не предназначен для использования несовершеннолетними или лицами с ограниченными возможностями, если они не находятся под присмотром.
- Инструмент не предназначен для игр.
- Не позволяйте детям или животным находиться поблизости от места выполнения работ или прикасаться к инструменту.
- При работе рядом с детьми необходимо особое внимание.
- Используйте только в сухом месте. Не допускайте попадания влаги в инструмент.
- Не погружайте инструмент в воду.
- Запрещается вскрывать корпус. Внутри инструмента нет деталей, обслуживаемых пользователем.
- Не используйте инструмент во взрывоопасной среде, например, при наличии горючих жидкостей, газов или пыли.

- Перед эксплуатацией выполняйте визуальный осмотр ножей, болтов крепления ножей и режущего узла на предмет износа и повреждений. Заменяйте изношенные или поврежденные ножи и болты комплектом, чтобы сохранять надлежащий баланс.
- Не используйте инструмент, если рядом присутствуют посторонние, особенно дети, или домашние животные.
- Учитывайте, что оператор или пользователь несет ответственность за несчастные случаи или опасности, создаваемые другим лицам или их собственности.

Перед использованием

- При эксплуатации инструмента всегда носите толстую обувь и длинные брюки. Запрещается эксплуатировать инструмент босиком или в открытых сандалиях. Не надевайте свободную одежду или одежду, с которой свисают шнуры или ремни.
- Тщательно осмотрите место, где будет эксплуатироваться инструмент и уберите все объекты и предметы, которые могут отлететь от инструмента.
- Перед эксплуатацией выполняйте визуальный осмотр ножа, болта крепления ножа и режущего узла на предмет износа и повреждений. Заменяйте изношенные или поврежденные детали комплектом, чтобы сохранять надлежащий баланс. Заменяйте потертые и нечитаемые этикетки.

После использования

- Если инструмент не используется, его нужно хранить в сухом, хорошо вентилируемом помещении вне досягаемости детей.
- Дети не должны иметь доступа к помещенным на хранение инструментам.
- Если инструмент хранится или транспортируется в транспортном средстве, его нужно поместить в багажник или закрепить, во избежание перемещения в результате резкого изменения скорости или направления движения.

Проверка и ремонт

- Перед началом использования, проверьте инструмент на предмет поврежденных или неисправных деталей. Проверьте наличие сломанных деталей, поврежденных переключателей, а также прочих условий, способных повлиять на его работу.
- Не используйте инструмент, если какой-либо его компонент поврежден или неисправен.
- Поврежденные или неисправные детали должен исправить или заменить уполномоченный специалист по ремонту.
- Не пытайтесь снимать или заменять какие-либо компоненты, отличные от указанных в данном руководстве.

- Будьте осторожны при настройке газонокосилки. Не допускайте попадания пальцев между движущимися ножами/частями и неподвижными частями инструмента.
- При обслуживании ножей следует помнить, что, несмотря на то, что источник питания выключен, ножи остаются в движении.

Дополнительные инструкции по технике безопасности для газонокосилок

- Не перевозите инструмент, подключенный к источнику питания.
- Плотно удерживайте рукоятки обеими руками при работе с газонокосилкой.
- Если вы посчитаете, что колесную газонокосилку необходимо наклонить, удерживайте обе руки в рабочем положении и плотно держите рукоятку. Удерживайте обе руки в рабочем положении, пока газонокосилка не вернется в горизонтальное положение.
- Запрещается носить радиоприемник и наушники во время эксплуатации газонокосилки.
- Запрещается регулировать высоту колес во время работы двигателя или когда ключ безопасности находится в замке.
- Если газонокосилка глохнет, отпустите скобу управления для отключения газонокосилки, затем дождитесь остановки ножей перед тем как попытаться устранить затор.
- Держите руки подальше от зоны резки.
- Следите за острой заточки пильных полотен. При работе с ножами газонокосилки обязательно используйте защитные перчатки.
- Если вы используете травосборник, регулярно проверяйте его на предмет износа и повреждений. В случае обнаружения признаков износа из соображений безопасности необходимо заменить травосборник.
- Соблюдайте особую осторожность при перемещении газонокосилки назад/на себя.
- Не кладите руки и ноги под колесную газонокосилку. Содержите отверстие выброса чистым.
- Очистите область эксплуатации колесной газонокосилки от посторонних предметов, таких как камни, палки, провода, игрушки, кости и т. д., которые могут быть выброшены ножом. Предметы, попавшие в ножи, могут привести к тяжелым травмам. Во время работы электродвигателя вы должны находиться за рукояткой.
- Запрещается эксплуатировать колесную газонокосилку босиком или в открытых сандалиях. Надевайте прочную обувь.
- Не тяните колесную газонокосилку назад, если этого можно избежать. Перед тем как переместиться назад, проверьте, нет лизади помех.
- Не направляйте выбрасываемые материалы на людей. Не направляйте выбрасываемые материалы на стены

и прочие предметы. Они могут отлететь обратно в оператора. Отпускайте скобу управления для отключения газонокосилки и дождитесь остановки ножа перед тем как пройти по области с гравием.

- Эксплуатация колесной газонокосилки со снятыми компонентами, такими как травосборник, желоб для выброса травы, задняя крышка и т. п., запрещена. Время от времени проверяйте средства обеспечения безопасности и защитные устройства, убедитесь, что они находятся в исправном состоянии и способны выполнять свою предназначенную функцию. Перед тем как продолжить эксплуатацию, необходимо заменить поврежденные средства обеспечения безопасности.
- Не оставляйте работающую газонокосилку без присмотра.
- Перед тем как очищать газонокосилку, опустошать травосборник, очищать желоб для выброса травы, отойти от газонокосилки или выполнить какие-либо регулировки и проверки, отпустите скобу управления и дождитесь полной остановки двигателя.
- Эксплуатируйте газонокосилку только при дневном свете или при хорошем искусственном освещении, когда объекты на пути ножа газонокосилки хорошо видны.
- Не работайте с газонокосилкой, если вы устали, находитесь в состоянии наркотического, алкогольного опьянения или под воздействием лекарственных препаратов. Сохраняйте бдительность, следите за своими действиями и пользуйтесь здравым смыслом.
- Избегайте опасных зон. Эксплуатация колесной газонокосилки на влажной траве и во время дождя запрещена. Всегда сохраняйте устойчивое положение, не бегайте.
- В случае обнаружения нестандартной вибрации немедленно отпустите скобу управления, дождитесь полной остановки ножа и выявите причину неисправности. Обычно вибрации являются признаком неисправности. Обратитесь к разделу «**Поиск и устранение неисправностей**», в случае возникновения чрезмерной вибрации.
- При работе с газонокосилкой носите надлежащие средства защиты глаз и органов дыхания.
- Использование любых принадлежностей и приспособлений не рекомендуется с данной колесной газонокосилкой и может быть опасным. Используйте только принадлежности, утвержденные компанией DEWALT.
- Не пытайтесь дотянуться колесной газонокосилкой до слишком удаленных поверхностей. Во время эксплуатации газонокосилки старайтесь сохранять устойчивое положение и равновесие.
- Работайте вдоль поверхности уклона, а не вверх и вниз. Соблюдайте особую осторожность, изменяя направление движения на склоне.
- Остерегайтесь ям, рытвин, неровностей, камней и прочих опасных объектов. Неровный рельеф местности

может привести к падению. В высокой траве могут скрываться препятствия.

- Запрещается косить мокрую траву и работать колесной газонокосилкой на слишком отвесных склонах. Неустойчивое положение тела может привести к падению.
- Не используйте колесную газонокосилку вблизи обрывов, канав или насыпей. Вы можете потерять устойчивость или равновесие.
- Перед тем, как убрать газонокосилку на хранение, позвольте ей остыть.
- Выньте штекер из розетки и извлеките аккумуляторную батарею из инструмента. Убедитесь, что все движущиеся части полностью остановились:
 - Перед тем как оставить инструмент;
 - Перед тем как удалить затор;
 - Перед тем как проверить, очистить или работать с инструментом.

Безопасность окружающих

- Данный инструмент не предназначен для использования лицами (включая детей) с ограниченными физическими, сенсорными или ментальными возможностями, а также лицами без достаточного опыта и знаний, если только они не делают этого под руководством лица имеющего соответствующий опыт и отвечающего за их безопасность.
- Не позволяйте детям играть с данным инструментом.
- После удара об инородный предмет. Проверьте инструмент на предмет повреждений и выполните необходимый ремонт.

Остаточные риски

Несмотря на соблюдение соответствующих инструкций по технике безопасности и использование предохранительных устройств, некоторые остаточные риски невозможно полностью исключить. А именно:

- Травмы в результате касания вращающихся/ движущихся частей.
- Травмы, которые могут произойти при замене деталей, ножей или насадок.
- Травмы, связанные с продолжительным использованием инструмента. При использовании любого инструмента в течение продолжительного периода времени не забывайте делать перерывы.
- Ухудшение слуха.
- Ущерб здоровью в результате вдыхания пыли в процессе работы инструментом (например, при обработке древесины, в особенности, дуба, бука и МДФ.)
- Запрещается поднимать и переносить инструмент, когда двигатель работает.

СОХРАНИТЕ НАСТОЯЩЕЕ РУКОВОДСТВО

Зарядные устройства

Зарядные устройства DEWALT не требуют регулировки и максимально просты в использовании.

Электробезопасность

Электродвигатель рассчитан на работу только при одном напряжении сети. Необходимо обязательно убедиться в том, что напряжение источника питания соответствует указанному на шильдике устройства. Необходимо также убедиться в том, что напряжение работы зарядного устройства соответствует напряжению в сети.



Зарядное устройство DEWALT оснащено двойной изоляцией в соответствии с требованиями EN60335; поэтому провод заземления не требуется.

В случае повреждения кабеля питания его необходимо заменить специально подготовленным кабелем, который можно приобрести в сервисных центрах DEWALT.

Использование удлинительного кабеля

Используйте удлинитель только в случаях крайней необходимости. Используйте только утвержденные удлинители промышленного изготовления, рассчитанные на мощность не меньшую, чем потребляемая мощность зарядного устройства (см. *Технические характеристики*). Минимальное поперечное сечение провода электрического кабеля должно составлять 1 мм²; максимальная длина 30 м. При использовании кабельного барабана всегда полностью разматывайте кабель.

Важные инструкции по технике безопасности для всех зарядных устройств

СОХРАНИТЕ НАСТОЯЩЕЕ РУКОВОДСТВО. В данном руководстве содержатся важные инструкции по технике безопасности для совместимых зарядных устройств (см. *Технические характеристики*).

- *Перед тем как использовать зарядное устройство, внимательно изучите все инструкции и предупреждающие этикетки на зарядном устройстве, батарее и инструменте, для которого используется батарея.*



ВНИМАНИЕ: Опасность поражения электрическим током. Не допускайте попадания жидкости в зарядное устройство. Это может привести к поражению электрическим током.



ВНИМАНИЕ: Рекомендуется использовать устройство защитного отключения (УЗО) с током утечки до 30 мА.



ВНИМАНИЕ: Опасность ожога. Во избежание травм, следует использовать только аккумуляторные батареи производства DEWALT. Использование батарей другого типа может привести к взрыву, травмам и повреждениям.



ПРЕДУПРЕЖДЕНИЕ: Не позволяйте детям играть с данным устройством.

ПОЯСНЕНИЕ: В определенных условиях, при подключении зарядного устройства к источнику питания, может произойти короткое замыкание контактов внутри зарядного устройства посторонними материалами. Не допускайте попадания в полости зарядного устройства таких токопроводящих материалов, как стальная стружка, алюминиевая фольга или другие металлические частицы и т. п. Всегда отключайте зарядное устройство от источника питания, если в нем нет аккумуляторной батареи. Всегда отключайте зарядное устройство от сети перед тем, как приступить к очистке инструмента

- **НЕ ПЫТАЙТЕСЬ заряжать батареи с помощью каких-либо других зарядных устройств, кроме тех, которые указаны в данном руководстве.** Зарядное устройство и батарея предназначены для совместного использования.
- **Эти зарядные устройства не предназначены ни для какого другого использования, помимо зарядки аккумуляторных батарей DEWALT.** Использование любых других батарей может привести к возгоранию, поражению электротоком или гибели от электрического шока.
- **Не подвергайте зарядное устройство воздействию снега или дождя.**
- **При отключении зарядного устройства от сети всегда тяните за штепсельную вилку, а не за кабель.** Это поможет избежать повреждения штепсельной вилки и розетки.
- **Убедитесь в том, что кабель не расположен таким образом, чтобы на него не наступили, не споткнулись об него, а также в том, что он не натянут и не может быть поврежден.**
- **Не используйте удлинительный кабель без крайней необходимости.** Использование удлинительного кабеля неподходящего типа может привести к пожару или поражению электрическим током.
- **Не ставьте на зарядное устройство никакие предметы и не устанавливайте зарядное устройство на мягкую поверхность, которая может закрыть вентиляционные отверстия и привести к перегреву.** Не размещайте зарядное устройство поблизости от источников тепла. Вентиляция зарядного устройства происходит с помощью отверстий в верхней и нижней части корпуса.
- **Не используйте зарядное устройство при наличии поврежденный кабеля или штепсельной вилки – в этом случае необходимо немедленно их заменить.**
- **Не используйте зарядное устройство, если его роняли, либо если оно подвергалось сильным ударам или было повреждено каким-либо иным образом.** Обратитесь в авторизованный сервисный центр.

- **Не разбирайте зарядное устройство. При необходимости обратитесь в специализированный сервисный центр, если нужно провести обслуживание или ремонт инструмента.** Неправильная сборка может стать причиной пожара или поражения электрическим током.
- В случае повреждения кабеля питания его необходимо немедленно заменить у производителя, в его сервисном центре или с привлечением другого специалиста аналогичной квалификации для предотвращения несчастного случая.
- **Перед очисткой отключите зарядное устройство от сети. В противном случае, это может привести к поражению электрическим током.** Извлечение аккумуляторной батареи не приведет к снижению степени этого риска.
- **НИКОГДА не пытайтесь соединить два зарядных устройства вместе.**
- **Зарядное устройство предназначено для работы при стандартном напряжении сети в 230 В. Не пытайтесь использовать его при каком-либо ином напряжении.** Это не относится к автомобильному зарядному устройству.

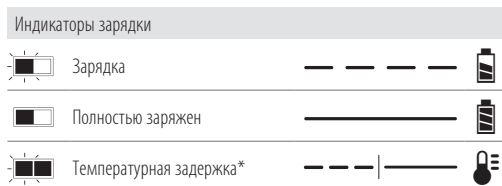
Зарядка батареи (Рис. [Fig.] B)

1. Перед установкой батареи подключите зарядное устройство к соответствующей сетевой розетке.
2. Вставьте аккумуляторную батарею **15** в зарядное устройство, убедившись в том, что она хорошо установлена. Красный индикатор зарядки начнет мигать. Это означает, что процесс зарядки начался.
3. По окончании зарядки красный индикатор будет гореть непрерывно, не мигая. Теперь батарея полностью заряжена, и ее можно использовать или оставить в зарядном устройстве. Чтобы извлечь аккумуляторную батарею из зарядного устройства, нажмите кнопку фиксатора батареи **16** и извлеките батарею.

ПРИМЕЧАНИЕ: Чтобы обеспечить максимальную производительность и срок службы литий-ионных батарей, перед первым использованием полностью зарядите аккумуляторную батарею.

Работа с зарядным устройством

См. состояние зарядки аккумуляторной батареи на приведенных ниже индикаторах.



*Красный индикатор продолжит мигать, но загорится желтый индикатор. После того, как батарея достигнет рабочей температуры, желтый индикатор погаснет, и зарядка продолжится.

Зарядное(-ые) устройство(-а) не может(-гут) полностью зарядить неисправную аккумуляторную батарею. При неисправной аккумуляторной батарее, индикатор на зарядном устройстве не загорится.

ПРИМЕЧАНИЕ: Также это может указывать на проблему с зарядным устройством.

Если зарядное устройство указывает на наличие проблемы, проверьте аккумулятор и зарядное устройство в специализированном сервисном центре.

Температурная задержка

Если температура батареи слишком низкая или слишком высокая, зарядное устройство автоматически переходит в режим температурной задержки; при этом зарядка не начинается до тех пор, пока батарея не достигнет нужной температуры. После того, как нужный уровень температуры будет достигнут, устройство перейдет в режим зарядки. Данная функция обеспечивает максимальный срок эксплуатации батареи.

Зарядка холодной батареи занимает больше времени, чем теплой. Аккумуляторная батарея заряжается медленнее во время всего цикла зарядки и максимального заряда не удастся добиться даже после того, как аккумуляторная батарея нагреется.

Зарядное устройство DCB118 оснащено внутренним вентилятором для охлаждения батареи. Вентилятор включится автоматически, если батарея нуждается в охлаждении. Не используйте зарядное устройство, если вентилятор не функционирует или если забиты вентиляционные отверстия. Не позволяйте посторонним предметам попадать внутрь зарядного устройства.

Система электронной защиты


Литий-ионные аккумуляторные батареи XR оснащены системой электронной защиты, которая защищает аккумуляторную батарею от перегрузки, перегрева или глубокой разрядки.

При срабатывании системы электронной защиты инструмент автоматически отключается. В этом случае поставьте литий-ионную батарею на зарядку до тех пор, пока она полностью не зарядится.

Крепление на стену

Данные зарядные устройства могут крепиться на стены или устанавливаться на стол или рабочую поверхность. При креплении на стену расположите зарядное устройство в пределах досягаемости розетки и подальше от углов и других препятствий, которые могут помешать потоку воздуха. Используйте заднюю часть зарядного устройства в качестве образца для положения монтажных болтов на стене. Надежно закрепите зарядное устройство при помощи саморезов (приобретаются отдельно) длиной минимум в 25,4 мм с диаметром шляпки самореза в 7–9 мм, вкрученных в дерево до оптимальной глубины, оставляющей на поверхности примерно 5,5 мм самореза. Совместите отверстия на задней стороне зарядного устройства с выступающими саморезами и полностью вставьте их в отверстия.

Инструкции по очистке зарядного устройства

-  **ВНИМАНИЕ: Опасность поражения электрическим током. Перед очисткой отключите зарядное устройство от сети питания.** Грязь и жир можно удалить с наружной поверхности зарядного устройства с помощью тряпки или мягкой неметаллической щетки. Не используйте воду или чистящие растворы. Не допускайте попадания жидкости внутрь инструмента; никогда не погружайте никакие из деталей инструмента в жидкость.

Аккумуляторные батареи

Важные инструкции по технике безопасности для всех батарей

При заказе запасных батарей не забудьте указать номер по каталогу и напряжение.


При покупке батарея заряжена не полностью. Перед тем, как использовать батарею и зарядное устройство, прочтите следующие инструкции по технике безопасности. Затем выполните необходимые действия для зарядки.


ВНИМАТЕЛЬНО ПРОЧИТАЙТЕ ВСЕ ИНСТРУКЦИИ


- **Не заряжайте и не используйте батарею во взрывоопасной атмосфере, например, при наличии горючих жидкостей, газов или пыли.** Устранение или удаление батареи из зарядного устройства может привести к воспламенению пыли или газов.
- **Никогда не прилагайте больших усилий, вставляя батарею в зарядное устройство. Не вносите изменения в конструкцию батарей с целью установить их в зарядное устройство, к которому они не подходят. Это может привести к серьезным травмам.**
- Заряжайте батареи только с помощью зарядных устройств DeWALT.
- **НЕ ПРОЛИВАЙТЕ** на них и не погружайте их в воду или другие жидкости.
- **Не храните и не используйте данное устройство и батарею при температуре выше 40 °C (например, на внешних пристройках или на металлических поверхностях зданий в летнее время).**
- **Не сжигайте батареи, даже поврежденные или полностью отработавшие.** При попадании в огонь батареи могут взорваться. При сжигании литий-ионных батарей образуются токсичные вещества и газы.
- **При попадании содержимого батареи на кожу, немедленно промойте это место водой с мылом.** При попадании содержимого батареи в глаза, необходимо промыть открытые глаза проточной водой в течение 15 минут или до тех пор, пока не пройдет раздражение. При необходимости обращения


к врачу, может пригодиться следующая информация: электролит представляет собой смесь жидких органических углекислых и литиевых солей.

- **При вскрытии батареи, ее содержимое может вызвать раздражение дыхательных путей.** Обеспечьте наличие свежего воздуха. Если симптомы сохраняются, обратитесь к врачу.


 **ВНИМАНИЕ: Опасность ожога.** Содержимое батареи может воспламениться при попадании искр или огня.

 **ВНИМАНИЕ: Ни в коем случае не разбирайте батарею.** При наличии трещин или других поврежденных батарей, не устанавливайте ее в зарядное устройство. Не роняйте батарею и не подвергайте ее ударам или другим повреждениям. Не используйте батарею или зарядное устройство после удара, падения или получения каких-либо других повреждений (например, после того, как ее проткнули гвоздем, ударили молотком или наступили на нее). Это может привести к электрическому шоку или смерти. Поврежденные батареи необходимо вернуть в сервисный центр для повторной переработки.

 **ВНИМАНИЕ: Риск воспламенения. Избегайте замыкания выводов батарей металлическими предметами во время хранения или переноски.** Например, не кладите аккумуляторные батареи в передники, карманы, ящики для инструментов, выдвижные ящики и т. п. с гвоздями, гайками, ключами и т. п.

 **ПРЕДУПРЕЖДЕНИЕ: Когда устройство не используется, кладите его на бок на устойчивую поверхность в таком месте, где оно не может упасть и об него нельзя споткнуться.** Некоторые устройства с батареями большого размера, стоят сверху на батареях, и могут легко упасть.

Транспортировка

 **ВНИМАНИЕ: Риск воспламенения.** При транспортировке аккумуляторных батарей может произойти возгорание, если терминалы аккумуляторных батарей случайно будут замкнуты электропроводящими материалами. При транспортировке аккумуляторных батарей убедитесь в том, что терминалы защищены и хорошо изолированы от материалов, контакт с которыми может привести к короткому замыканию.

ПРИМЕЧАНИЕ: Литий-ионные аккумуляторные батареи запрещается сдавать в багаж.

Батареи DeWALT соответствуют всем применимым правилам транспортировки, как предусмотрено промышленными и юридическими стандартами, включая рекомендации ООН по транспортировке опасных грузов; Ассоциация международных авиаперевозчиков (IATA) правила перевозки опасных грузов, Международные правила перевозки

опасных грузов морским путем (IMDG), и европейское соглашение о международной дорожной перевозке опасных грузов (ADR). Литий-ионные элементы и аккумуляторные батареи были протестированы в соответствии с разделом 38.3 Рекомендаций ООН по транспортировке опасных грузов руководства по тестам и критериям.

В большинстве случаев транспортировка аккумуляторных батарей DEWALT не попадает под классификацию, поскольку они не являются опасными материалами Класса 9. В целом, полностью под правила Класса 9 подпадают только перевозки литий-ионных батарей с энергоемкостью выше 100 Ватт час (Вт ч). Энергоемкость всех литий-ионных аккумуляторных батарей в Ватт-часах указана на упаковке. Кроме того, из-за сложности правил, DEWALT не рекомендует перевозку литий-ионных батарей по воздуху вне зависимости от их энергоемкости. Поставки инструментов с батареями (комбинированные наборы) могут перевозиться по воздуху согласно исключениям, если энергоемкость батареи не превышает 100 Вт ч.

Независимо от того, является ли перевозка исключением или выполняется по правилам, перевозчик должен уточнить последние требования к упаковке, маркировке и оформлению документации.

Информация, изложенная в данном руководстве обоснована и на момент создания данного документа может считаться точной. Но эта гарантия не является ни выраженной, ни подразумеваемой. Покупатель должен обеспечить то, что бы его деятельность соответствовала всем применимым законам.

Рекомендации по хранению

1. Лучшим местом для хранения является прохладное и сухое место, защищенное от прямых солнечных лучей, высокой или низкой температуры. Для оптимальной работы и продолжительного срока службы, храните неиспользуемые аккумуляторные батареи при комнатной температуре.
2. Для достижения максимальных результатов при продолжительном хранении рекомендуется полностью зарядить батарейный комплект и хранить его в прохладном сухом месте вне зарядного устройства.

ПРИМЕЧАНИЕ: Аккумуляторные батареи не должны храниться в полностью разряженном состоянии. Перед использованием аккумуляторная батарея требует повторной зарядки.

Маркировка на зарядном устройстве и аккумуляторной батарее

Помимо пиктограмм, используемых в данном руководстве, на зарядном устройстве и батарее имеются следующие обозначения:



Перед началом работы прочтите руководство по эксплуатации.



Чтобы узнать время зарядки, см. **Технические характеристики**.



Не касайтесь токопроводящими предметами контактов батареи и зарядного устройства.



Не пытайтесь заряжать поврежденную батарею.



Не подвергайте электроинструмент или его элементы воздействию влаги.



Немедленно замените поврежденный кабель питания.



Зарядку осуществляйте только при температуре от 4 °C до 40 °C.



Для использования внутри помещений.



Утилизируйте отработанные батареи безопасным для окружающей среды способом.



Заряжайте аккумуляторные батареи DEWALT только с помощью соответствующих зарядных устройств DEWALT. Зарядка иных аккумуляторных батарей отличных от разработанных DEWALT может привести к возгоранию аккумуляторных батарей и возникновению других опасных ситуаций.



Не сжигайте аккумуляторную батарею.

Тип батареи

DCMWP500 работает от аккумуляторной батареи напряжением 54 В.

Могут применяться следующие типы батарей: DCB546, DCB547, DCB547G, DCB548, DCB549. Подробную информацию см. в **Технических характеристиках**.

Комплект поставки

В упаковку входят:

- 1 Колесная газонокосилка
- 1 Травосборник
- 1 Боковой разгрузочный желоб
- 1 Ключ безопасности
- 1 Руководство по эксплуатации

ПРИМЕЧАНИЕ: Аккумуляторные батареи, зарядные устройства и инструментальные ящики не входят в комплект поставки для моделей N. Аккумуляторные батареи и зарядные устройства не входят в комплект поставки для моделей NT. Модели В оснащены аккумуляторной батареей Bluetooth®.

ПРИМЕЧАНИЕ: Словесный товарный знак и логотип Bluetooth® являются зарегистрированными товарными

знаками Bluetooth®, SIG, Inc. любое использование этих знаков DeWALT лицензировано. Другие торговые марки и названия принадлежат их владельцам.

- Проверьте инструмент, детали и дополнительные принадлежности на предмет повреждений, которые могли произойти во время транспортировки.
- Перед эксплуатацией внимательно прочтите данное руководство.

Маркировка на инструменте

На инструмент нанесены следующие обозначения:



Перед началом работы прочтите руководство по эксплуатации.



Гарантированная акустическая мощность по директиве 2000/14/EC.



Не оставляйте инструмент под дождем.



Не распыляйте воду.



Всегда носите защитные очки.



Всегда пользуйтесь соответствующими средствами защиты слуха.



Остерегайтесь острых ножей.



Во избежание риска серьезной травмы не косите склоны под углом более 15°/25%.



Не косите откосы, двигаясь вниз.



Не косите откосы, двигаясь вверх.



Косите поверхность откосов менее 15°/25%.



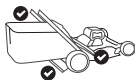
Во время и перед тем как начать движение назад, всегда смотрите вниз и назад.



Не эксплуатируйте машину, если задний борт или задний разгрузочный желоб не установлены на место.



Используйте машину с установленным задним бортом и задним разгрузочным желобом.



Используйте машину с установленным задним бортом и травосборником.



Всегда проверяйте зону кошения перед тем, как косить, и удаляйте предметы, которые могут быть отброшены ножом.

Вращающиеся ножи могут стать причиной тяжелых травм. Всегда держите руки и ноги подальше от деки газонокосилки и отверстия выбрасывателя. Всегда убеждайтесь, что нож остановился. Отпустите скобу управления, чтобы выключить газонокосилку, и дождитесь, пока нож перестанет вращаться (примерно 3 секунды), и извлеките ключ безопасности и аккумуляторную батарею перед снятием и заменой травосборника, очисткой, обслуживанием, транспортировкой или подъемом газонокосилки.



Выключите газонокосилку, и дождитесь, пока нож перестанет вращаться (примерно 3 секунды), и извлеките ключ безопасности и аккумуляторную батарею перед очисткой, обслуживанием, транспортировкой или подъемом газонокосилки.





Предметы, отброшенные ножом газонокосилки, могут привести к тяжелым травмам. При включенном двигателе всегда стойте позади рукоятки. Всегда следите за тем, чтобы люди и домашние животные находились на безопасном расстоянии от газонокосилки. Отпустите скобу управления, чтобы выключить газонокосилку, и дождитесь, пока нож перестанет вращаться (примерно 3 секунды), прежде чем переходить пешеходные дорожки, дороги, внутренние дворики и гравийные тропинки.



Следите за тем, чтобы во время работы с газонокосилкой поблизости не было посторонних и детей.

Местоположение кода даты (Рис. Е)

Код даты изготовления **61** состоит из 4 цифр года, за которыми следуют 2 цифры недели и 2 цифры заводского кода.

Описание (рис. А)

! **ОСТОРОЖНО!** Никогда не вносите изменения в конструкцию электронного инструмента или какой-либо его части. Это может привести к повреждению или травмам.

- 1 Рукоятка срабатывания в одно касание
- 2 Опора рукоятки
- 3 Кнопка разблокировки рукоятки
- 4 Основная рукоятка
- 5 Кнопка разблокировки рукоятки
- 6 Ключ безопасности
- 7 Блок переключателей
- 8 Скоба управления
- 9 Скоба управления самоходным режимом (только DCMWSP550)
- 10 Регулятор скорости (только DCMWSP550)
- 11 Кнопка включения
- 12 Панель управления
- 13 Индикатор перегрева
- 14 Индикатор нагрузки при кошении
- 15 Индикатор складывания рукоятки
- 16 Индикатор заточки ножей
- 17 Кнопка сброса ножей
- 18 Индикатор состояния заряда

- 19 Крышка батарейного отсека
- 20 Рычаг регулировки высоты кошения
- 21 Задняя дверца
- 22 Травосборник
- 23 Рукоятка травосборника
- 24 Вставка для мульчирования
- 25 Задний разгрузочный желоб

Назначение

Данная газонокосилка предназначена для профессионального кошения газонов.

НЕ ИСПОЛЬЗУЙТЕ в условиях повышенной влажности или поблизости от легковоспламеняющихся жидкостей или газов.

Эта газонокосилка является профессиональным инструментом для ухода за газоном.

НЕ РАЗРЕШАЙТЕ детям прикасаться к инструменту. Использование инструмента неопытными пользователями должно происходить под контролем опытного лица.

- **Малолетние дети и люди с ограниченными физическими возможностями.** Данный инструмент не предназначен для использования маленькими детьми или людьми с ограниченными физическими возможностями, если они не находятся под присмотром лица, отвечающего за их безопасность.
- Данный инструмент не предназначен для использования лицами (включая детей) с ограниченными физическими, психическими и умственными возможностями, не имеющими опыта, знаний или навыков работы с ним, если они не находятся под наблюдением лица, ответственного за их безопасность. Никогда не оставляйте детей с этим инструментом без присмотра.

СБОРКА И РЕГУЛИРОВКА

! **ОПАСНО!** Для снижения риска получения тяжелых травм, выключайте инструмент и извлекайте ключ безопасности и аккумуляторную батарею перед проведением любых действий по регулировке или установке/снятию дополнительных принадлежностей или насадок. Случайный запуск может стать причиной травм.

Регулировка рукоятки срабатывания в одно касание (рис. D, E)

Газонокосилка поставляется в сложенном положении. Перед тем как начать работу, необходимо отрегулировать рукоятку срабатывания в одно касание **1** и установить ее в рабочее положение прежде, чем продолжить.

Поднимите рукоятку срабатывания в одно касание (рис. D, E)

1. Чтобы разблокировать рукоятку срабатывания в одно касание **1** из положения хранения, сожмите кнопку разблокировки рукоятки **3**.

ПРИМЕЧАНИЕ. Кнопка разблокировки рукоятки **3** расположена на задней части опоры рукоятки **2**.

ПРИМЕЧАНИЕ. Основная рукоятка **4** должна слегка выдвинуться с обеих сторон трубок рукоятки срабатывания в одно касание, прежде чем поднимать рукоятку срабатывания в одно касание **1** из положения хранения, как показано на рис. D.

2. Поднимите рукоятку срабатывания в одно касание **1** в заблокированное положение. Прежде чем продолжить, прислушайтесь к щелчку и убедитесь, что рукоятка срабатывания в одно касание **1** заблокирована в необходимом положении.
3. Вытяните основную рукоятку **4** наружу, пока не услышите характерные щелчки. Рукоятка срабатывания в одно касание **1** теперь находится в рабочем положении. **ПРИМЕЧАНИЕ.** Следите за тем, чтобы не защемить, не натянуть и не повредить кабель питания иным образом 28.

Регулировка высоты основной рукоятки (рис F)

Основная рукоятка **4** выдвигается для удобства пользователей высокого роста

1. Чтобы выдвинуть основную рукоятку **4** в нижнее положение, нажмите кнопку разблокировки рукоятки **5** и потяните основную рукоятку от опоры рукоятки **2**, пока не услышите щелчок, указывающий на то, что она зафиксирована в нижнем положении.

ПРИМЕЧАНИЕ. Кнопка разблокировки рукоятки **5** расположена в нижней части опоры рукоятки **2**.

2. Чтобы выдвинуть основную рукоятку **4** в верхнее положение, нажмите кнопку разблокировки рукоятки **5** и потяните основную рукоятку от опоры рукоятки **2**, пока не услышите щелчок, указывающий на то, что она зафиксирована в верхнем положении.

3. Прежде чем продолжить, убедитесь, что основная рукоятка **4** заблокирована в необходимом положении. **ПРИМЕЧАНИЕ.** Когда аккумуляторная батарея **26** и ключ безопасности **6** вставлены, а скоба управления **8** вытянута, индикатор складывания рукоятки **15** загорится, если рукоятка срабатывания в одно касание **1** не заблокирована в необходимом положении.

4. Чтобы сложить основную рукоятку **4** в нижнее положение, нажмите кнопку разблокировки рукоятки **5** и нажмите на основную рукоятку **4** в сторону опоры рукоятки **2**, пока не услышите щелчок, указывающий на то, что она зафиксирована в нижнем положении.

5. Прежде чем продолжить, убедитесь, что основная рукоятка **4** заблокирована в необходимом положении.

Режим хранения (рис. G-L)



ОПАСНО! ПЕРЕД ТЕМ КАК СНЯТЬ ИЛИ УСТАНОВИТЬ АККУМУЛЯТОРНУЮ БАТАРЕЮ, ИЗВЛЕКИТЕ КЛЮЧ БЕЗОПАСНОСТИ, ЧТОБЫ ПРЕДОТВРАТИТЬ НЕПРЕДНАМЕРЕННЫЙ ЗАПУСК УСТРОЙСТВА.



ОПАСНО! Выключите инструмент и извлеките из него предохранительный ключ и аккумуляторную батарею.

1. Чтобы сложить основную рукоятку **4**, нажмите кнопку разблокировки рукоятки **5** и нажмите на основную рукоятку **4** в сторону опоры рукоятки **2**, пока не услышите два щелчка, указывающие на то, что обе стороны рукояток заблокированы в необходимом положении. Основная рукоятка **4** должна полностью прилегать к опоре рукоятки.

ПРИМЕЧАНИЕ. Основная рукоятка **4** должна полностью зацепиться за окна рукоятки **29**. Если они не зафиксированы, как показано на рис. G, нажмите основную рукоятку **4** в направлении опоры рукоятки **2**, пока не услышите два щелчка и обе стороны окон рукоятки **29** не закроются, как показано на рис. H.

ПРИМЕЧАНИЕ. Убедитесь, что две защелки для хранения **30** на задней стороне трубок рукоятки срабатывания в одно касание **1** выдвинулись наружу, как показано на рис. J, прежде чем опускать рукоятку срабатывания в одно касание **1** в положение хранения.

2. Сложите рукоятку срабатывания в одно касание **1** по направлению к передним колесам **32** в положение хранения. Дождитесь двух щелчков, когда две защелки для хранения **30** войдут в прорези для хранения **31**, как показано на рис. K.

3. Прежде чем продолжить, убедитесь, что рукоятка срабатывания в одно касание **1** заблокирована в положении хранения.

4. Газонокосилку можно хранить в вертикальном положении со снятым травосборником или в горизонтальном положении на колесах как показано на рис. L.

ПРИМЕЧАНИЕ. Следите за тем, чтобы не защемить, не натянуть и не повредить кабель питания иным образом 28.

Травосборник (Рис. M)



ОПАСНО! Выключите инструмент и извлеките из него предохранительный ключ и аккумуляторную батарею.

1. Поднимите заднюю дверцу **21**, снимите вставку для мульчирования **24** и поместите травосборник **22** в газонокосилку, чтобы язычки **20** вошли в прорези **39** на внутренних пластиковых поверхностях кронштейнов рукоятки. Опустите заднюю дверцу **21**.

ПРИМЕЧАНИЕ. Если установлен, снимите задний разгрузочный желоб **25** и убедитесь, что задняя дверца **21** полностью поднята, прежде чем устанавливать травосборник **22**.

Мульчирование (Рис. N)




ОПАСНО! Выключите инструмент и извлеките из него предохранительный ключ и аккумуляторную батарею.

1. Для использования газонокосилки в режиме мульчирования, снимите травосборник **22** задний разгрузочный желоб **25**.
2. Поднимите заднюю дверцу **21** и установите вставку для мульчирования **24** в газонокосилку до упора.

- Убедитесь, что штифты **35** на вставке для мульчирования **24** вошли в пазы **36** на газонокосилке, как показано на рис. N.
- Убедитесь, что задняя дверца **21** закрыта.

Боковая разгрузка (Рис. O)

 **ОПАСНО!** Выключите инструмент и извлеките из него предохранительный ключ и аккумуляторную батарею.

- Для использования газонокосилки в режиме боковой разгрузки, снимите травосборник **22**.
ПРИМЕЧАНИЕ. Если установлена, снимите вставку для мульчирования **24**.
- Поднимите заднюю дверцу **21** и зацепите задний разгрузочный желоб **25** за газонокосилку и вставьте паз слева, как показано на рис. O.
- Перед эксплуатацией газонокосилки освободите заднюю дверцу **21** и убедитесь, что задний разгрузочный желоб **25** закреплен на месте.

Регулировка высоты газонокосилки (рис. P)


Высота кошения настраивается с помощью рычага регулировки высоты кошения **11**.

ПРИМЕЧАНИЕ. Если вы не уверены, какую высоту выбрать, начните косить траву, установив передний и задний рычаги регулировки высоты кошения **11** на самое высокое значение и регулируйте высоту по мере необходимости.


Установка высоты скашивания


- Извлеките рычаг регулировки высоты кошения **11** из фиксирующей канавки **37**.
- Чтобы увеличить высоту среза, переведите рычаг регулировки высоты кошения **11** в сторону задней части газонокосилки.
- Чтобы уменьшить высоту среза, переведите рычаг регулировки высоты кошения **11** в сторону передней части газонокосилки.
- Переведите рычаг регулировки высоты кошения **11** в одну из регулировочных канавок **37**.

ЭКСПЛУАТАЦИЯ

 **ОПАСНО!** Для снижения риска получения тяжелых травм, выключайте инструмент и извлекайте ключ безопасности и аккумуляторную батарею перед проведением любых действий по регулировке или установке/снятию дополнительных принадлежностей или насадок. Случайный запуск может стать причиной травм.

Правильное положение рук во время работы (Рис. Q, R)

 **ВНИМАНИЕ:** Для уменьшения риска получения тяжелой травмы, **ВСЕГДА** правильно удерживайте инструмент, как показано на рисунке.

 **ВНИМАНИЕ:** Для уменьшения риска получения тяжелой травмы, **ВСЕГДА** надёжно удерживайте инструмент, предупреждая внезапные сбои в работе.

DCMWP500


При правильном расположении рук обе руки находятся на основной рукоятке **4** и на скобе управления **8** как показано на рис. Q.


DCMWP550


Когда газонокосилка работает не в режиме самохода, при правильном положении обе руки держатся за основную рукоятку **4** и скобу управления **8**. Когда газонокосилка работает в режиме самохода, обе руки должны держаться за основную рукоятку, скобу управления и скобу управления самоходным режимом **9**, как показано на рис. R.


ПЕРЕД ЭКСПЛУАТАЦИЕЙ ГАЗОКОСИЛКИ ПРОЧТИТЕ РУКОВОДСТВО ПО ЭКСПЛУАТАЦИИ


См. полный перечень составляющих на рис. A в начале данного руководства. Сохраните настоящее руководство для использования в будущем.

 **ОПАСНО! Острый движущийся нож.** Запрещается эксплуатировать косилку в режиме мульчирования, если задняя дверь не зафиксирована натяжением пружины — это может привести к тяжелым травмам. Для ремонта газонокосилки обратитесь в ближайший сервисный центр.


 **ОПАСНО!** Запрещается использовать газонокосилку, если рукоятка не зафиксирована на месте.

 **ОПАСНО! Острый движущийся нож.** Никогда не эксплуатируйте газонокосилку в режиме сбора в травосборник, если крюки травосборника не зацеплены за газонокосилку, а задняя дверца неплотно прилегает к верхней части травосборника, поскольку это может привести к серьезным травмам.

 **ОПАСНО! Острый движущийся нож.** Не эксплуатируйте газонокосилку в режиме боковой разгрузки, если задний разгрузочный желоб не установлен должным образом и задняя дверца плотно не прилегает к нему.

 **ОСТОРОЖНО!** Газонокосилка должна работать в обычном режиме. Не подвешивайте инструмент повышенным нагрузкам.

Установка и извлечение аккумуляторной батареи (рис. S)

 **ОПАСНО!** ПЕРЕД ТЕМ КАК СНЯТЬ ИЛИ УСТАНОВИТЬ АККУМУЛЯТОРНУЮ БАТАРЕЮ, ИЗВЛЕКИТЕ КЛЮЧ БЕЗОПАСНОСТИ, ЧТОБЫ ПРЕДОТВРАТИТЬ НЕПРЕДНАМЕРЕННЫЙ ЗАПУСК УСТРОЙСТВА.

Газонокосилка выключится, а индикатор перегрева **13** начнет мигать, если аккумуляторная батарея достигнет верхнего предела температуры, что может случиться во время кошения густой травы. Если это произошло, дайте аккумуляторной батарее остыть, переставьте деку газонокосилки в положение повыше и затем продолжайте работу.

ПРИМЕЧАНИЕ. Для получения наилучших результатов перед использованием убедитесь, что аккумуляторная батарея полностью заряжена.

Установка аккумуляторных батарей

1. Поднимите и удерживайте крышку батарейного отсека **19**, чтобы получить доступ к батарейному отсеку **38**.
2. Вдвигайте батарею **26** в батарейный отсек **38**, пока не слышится щелчок (рис. S).

ПРИМЕЧАНИЕ. Убедитесь в том, что аккумуляторная батарея правильно и плотно установлена в зарядном устройстве.

3. Закройте крышку аккумуляторного отсека **19**. Убедитесь, что крышка батарейного отсека надежно закрыта, перед тем как запустить газонокосилку.

Снятие аккумуляторной батареи

1. Поднимите и удерживайте крышку батарейного отсека **19**, чтобы получить доступ к батарейному отсеку **38**.
2. Нажмите на отпирающую кнопку **27** и извлеките аккумуляторную батарею **26** из батарейного отсека.

Датчик уровня заряда аккумуляторной батареи (рис. C)

Некоторые аккумуляторные батареи DEWALT оборудованы расходомером в виде трех зеленых светодиодных индикаторов, обозначающих текущий уровень заряда батареи.

Для включения датчика заряда, нажмите и удерживайте кнопку датчика **62**. Загорятся три зеленых светодиода, которые показывают уровень оставшегося заряда. Когда уровень заряда аккумуляторной батареи упадет ниже эксплуатационного предела, датчик погаснет и батарее нужно будет зарядить.

ПРИМЕЧАНИЕ. Расходомер является индикатором только лишь уровня заряда, оставшегося в батарее. Он не является индикатором работоспособности инструмента и его показания могут меняться в зависимости от компонентов продукта, температуры и области применения.

Ключ безопасности (рис. T)



ОПАСНО! Острый движущийся нож. В целях предотвращения непреднамеренного запуска, а также несанкционированной эксплуатации вашей аккумуляторной газонокосилки, в конструкцию газонокосилки встроены съемный ключ безопасности. Без ключа безопасности газонокосилка будет полностью отключена.



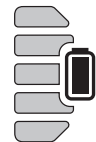
ОПАСНО! Вращающиеся ножи могут стать причиной тяжелых травм. Для предотвращения получения тяжелой травмы выключайте газонокосилку и извлекайте из нее предохранительный ключ и аккумуляторную батарею каждый раз, когда она не используется, во время зарядки, чистки, технического обслуживания, транспортировки, переноски или хранения.

1. Вставьте ключ безопасности **6** в паз для ключа **50**, расположенный на основной рукоятке **4**, до тех пор, пока он полностью не войдет в паз для ключа **50**, как показано на рис. T.
2. Теперь газонокосилка готова к эксплуатации.

Светодиодные индикаторы приборной панели (рис. A, U)

Панель управления **12** включает индикатор состояния заряда, индикатор нагрузки, индикатор температуры, индикатор складывания рукоятки, индикатор заточки ножей и кнопку сброса.

Состояние индикатора зарядки (рис. U)







На DCMWSP500 и DCMWSP550 есть индикатор зарядки. Он служит для отображения текущего уровня заряда аккумуляторной батареи во время работы. Он не является индикатором работоспособности устройства и его показания могут меняться в зависимости от компонентов продукта, температуры и области применения.

- Загорятся светодиодные индикаторы состояния заряда **18**, показывая процент заряда аккумулятора в процентах.
- Когда 5 загорятся все светодиодные индикаторы состояния заряда **18**, аккумулятор полностью заряжен.
- Когда загорается один светодиодный индикатор состояния заряда **18**, это означает низкий заряд, а когда он начнет мигать — аккумулятор разряжен. Извлеките и зарядите аккумуляторную батарею.

Состояние светодиодного индикатора зарядки

	УРОВЕНЬ ЗАРЯДА	ЦВЕТ СВЕТОДИОДНОГО ИНДИКАТОРА ЗАРЯДКИ
	100% - 85%	Белый
	70% - 85%	Белый

УРОВЕНЬ ЗАРЯДА	ЦВЕТ СВЕТОДИОДНОГО ИНДИКАТОРА ЗАРЯДКИ
 50% - 70%	Белый
 25% - 50%	Белый
 ≤25%	Белый
 Индикатор низкого заряда аккумуляторной батареи	Белый и мигает

Индикатор складывания рукоятки (рис. U)



Индикатор складывания рукоятки **15** загорается, когда рукоятка срабатывания в одно касание **1** не находится в рабочем положении, когда ключ безопасности **6** и аккумуляторная батарея **26** установлены, а скоба управления **8** вытянута. Чтобы сбросить индикатор складывания рукоятки **15**, см. раздел «Подъем рукоятки срабатывания в одно касание» в данном руководстве.

Индикатор нагрузки при кошении (рис. U)



Индикатор нагрузки при кошении **14** загорается белым, желтым или красным светом во время кошения.

- Белый цвет указывает на низкую нагрузку при кошении.
- Желтый цвет указывает на среднюю нагрузку при кошении.
- Красный цвет указывает на высокую нагрузку при кошении. Время работы сократится, если во время кошения будет длительная высокая нагрузка.

Индикатор перегрева (рис. U)



- Индикатор перегрева **13** загорается желтым цветом, а затем начнет мигать, если аккумуляторная батарея или двигатель перегружены во время работы.

- Индикатор перегрева **13** загорается красным цветом, а затем начнет мигать, если модуль достиг высокой температуры.
- Для сброса индикатора перегрева **13**, дайте аккумуляторной батарее и газонокосилке остыть. После остывания перезапустите газонокосилку и возобновите кошение, установив деку косилки выше.

Индикатор заточки ножей (рис. U)



Индикатор заточки ножей **16** загорается, когда ножи нуждаются в обслуживании. Заточите или замените ножи, см. раздел «Затачивание ножа» данного руководства.

Кнопка сброса ножей (рис. U)



ПРИМЕЧАНИЕ. Перед попыткой сброса настроек убедитесь, что аккумуляторная батарея **26** и ключ безопасности **6** установлены.

Для сброса индикатора заточки ножей **16**, включите светодиодную приборную панель **12**, потяните и удерживайте скобу управления **8** в сторону основной рукоятки **4**. Нажмите и удерживайте кнопку сброса ножа **17**, пока индикатор заточки ножей **16** не погаснет.

Запуск газонокосилки (рис. Q-T)



ОПАСНО! Острый движущийся нож. Никогда не пытайтесь блокировать работу блока выключателя и системы предохранительных ключей, поскольку это может привести к серьезной травме.



ОСТОРОЖНО! Прежде чем запустить газонокосилку убедитесь, что система самохода отключена.

ПРИМЕЧАНИЕ. Газонокосилка работает только при установленной аккумуляторной батарее **26** и ключе безопасности **6**.

1. Поднимите и удерживайте крышку батарейного отсека **19**, чтобы получить доступ к батарейному отсеку **38**.
2. Вдвигайте батарею **26** в батарейный отсек **38**, пока не послышится щелчок.
ПРИМЕЧАНИЕ. Перед эксплуатацией газонокосилки убедитесь, что батарея надежно установлена и закреплена на месте.
3. Закройте крышку батарейного отсека **19**. Убедитесь, что крышка батарейного отсека **19** надежно закрыта, перед тем как запустить газонокосилку.
4. Вставьте ключ безопасности **6** в паз для ключа **50**, расположенный на основной рукоятке **4**, до тех пор, пока он полностью не войдет в паз для ключа **50**, как показано на рис. T.

- Чтобы включить светодиодную приборную панель **12**, потяните и удерживайте скобу управления **8** в сторону основной рукоятки **4**.
- Чтобы запустить ножи газонокосилки, продолжайте удерживать скобу управления **8** рядом с основной рукояткой **4**, а затем нажмите кнопку включения **11**.
ПРИМЕЧАНИЕ. Как только газонокосилка запустится, вы можете отпустить кнопку включения **11**, продолжая прижимать скобу управления **8** к основной рукоятке **4**, чтобы газонокосилка продолжала работать.
- Чтобы остановить ГАЗОНОКОСИЛКУ, отпустите скобу управления **8**.

! **ОСТОРОЖНО!** Ни в коем случае не фиксируйте скобу управления в положении включения.

ПРИМЕЧАНИЕ. При возвращении скобы управления **8** в исходное положение включится механизм автоматического останова. Сработает механический тормоз двигателя, а ножи газонокосилки остановят свое вращение в течение максимум трех секунд. Если ножи продолжают вращаться более трех секунд, прекратите использование газонокосилки и отнесите ее в ремонт.

DCMWP550 ТОЛЬКО

Система самохода (рис. V)

! **ОПАСНО!** Острый движущийся нож. Никогда не блокируйте работу блока переключателей, системы самохода или системы предохранительных ключей, поскольку это может привести к серьезной травме.

Ваша газонокосилка DCMWP550 оснащена системой самохода, которая работает независимо от ножей газонокосилки.

- Чтобы использовать самоходный режим, нажмите скобу управления самоходным режимом **9** в направлении основной рукоятки **4**.
- Чтобы выключить систему самохода, отпустите скобу управления самоходным режимом **9**.

ПРИМЕЧАНИЕ. Во время кошения иногда может быть проще маневрировать вокруг объекта, например, дерева или растения, с отключенной системой самохода. Газонокосилкой можно легко пользоваться с отключенной системой самохода.

DCMWP550 ТОЛЬКО

Регулятор скорости (рис. W)

Ваша газонокосилка DCMWP550 оснащена регулятором скорости **10**, расположенным рядом с панелью управления **12**. Цифры на шкале регулятора скорости **10** указывают, насколько быстро или медленно система самохода приводит в движение газонокосилку. При выборе меньшего числа газонокосилка будет двигаться медленнее. Выбор большего числа приводит к ускорению работы газонокосилки.

- Чтобы увеличить скорость системы самохода, поверните регулятор скорости **10** в сторону значка кролика **40**.

ПРИМЕЧАНИЕ. На шкале регулятора скорости **10** будет отображаться большее число.

- Чтобы уменьшить скорость системы самохода, поверните регулятор скорости **10** в сторону значка черепахи **41**.

ПРИМЕЧАНИЕ. На шкале регулятора скорости **10** будет отображаться меньшее число.

Перегрузка газонокосилки

В целях предотвращения перегрузок не пытайтесь скосить слишком большое количество травы сразу. Замедлите скорость или увеличьте высоту скашивания.

Советы по кошению (рис. T)

! **ОСТОРОЖНО! ВСЕГДА ПРОВЕРЯЙТЕ И ОЧИЩАЙТЕ ЗОНУ ЭКСПЛУАТАЦИИ ГАЗОНОКОСИЛКИ ОТ ПОСТОРОННИХ ПРЕДМЕТОВ, ТАКИХ КАК КАМНИ, ПАЛКИ, ПРОВОДА, КОСТИ И Т. Д., КОТОРЫЕ МОГУТ БЫТЬ ОТБРОШЕНЫ ВРАЩАЮЩИМСЯ НОЖОМ.**

! **ОСТОРОЖНО!** Работайте вдоль поверхности уклона, а не вверх и вниз. Соблюдайте особую осторожность, изменяя направление движения на склоне. Не работайте на чрезмерно крутых склонах (более 15 градусов). Сохраняйте устойчивость.

- Отпустите скобу управления **8** для выключения газонокосилки, пересекая участки с гравием (камешки могут быть отброшены ножами газонокосилки).
- При скашивании на неровных поверхностях или при наличии высоких сорняков всегда устанавливайте самую высокую высоту среза. Скашивание слишком большого количества травы за раз может привести к перегрузке и остановке электродвигателя.
- В случае использования травосборника **22** в сезон быстрого роста травы, разгрузочное отверстие может засориться травой. Отпустите скобу управления для выключения газонокосилки, извлеките ключ безопасности **6** и аккумуляторную батарею **26**. Снимите травосборник **22** и потрясите его, стряхивая траву в нижнюю часть травосборника. Удалите всю траву и мусор, скопившийся вокруг отверстия выбрасывателя. Установите травосборник **22** на место.
- Если газонокосилка начинает сильно вибрировать, отпустите перекладку запуска, чтобы отключить газонокосилку, и извлеките предохранительный ключ и аккумулятор. Немедленно проверьте причину. Вибрация является предупреждением о наличии проблемы. Не используйте газонокосилку, пока не будет проведена техническая проверка.
- Для достижения наилучших результатов следите, чтобы ножи были остро заточены и сбалансированы.
- Осматривайте и тщательно очищайте газонокосилку после каждого использования. Дека с засохшей травой снижает производительность.
- При оставлении газонокосилки без присмотра даже на короткий период времени всегда отпускайте перекладку запуска, выключая газонокосилку,

и извлекайте предохранительный ключ и аккумуляторную батарею.

Следующие рекомендации помогут достичь оптимального рабочего цикла вашей аккумуляторной газонокосилки.

- замедляйте движение при скашивании на участках, где трава особенно высокая или толстая.
- Не косите влажную от росы или мокрую после дождя траву.
- Скашивайте траву часто, особенно в сезон быстрого роста.

ПРИМЕЧАНИЕ. В целях увеличения срока службы аккумуляторной батареи, ее рекомендуется заряжать сразу после каждой эксплуатации. Частая зарядка аккумуляторных батарей не повредит им, а вы будете знать, что аккумуляторная батарея заряжена для следующего использования.

ПРИМЕЧАНИЕ. Хранение не полностью заряженной аккумуляторной батареи приведет к сокращению срока ее службы.

ТЕХНИЧЕСКОЕ ОБСЛУЖИВАНИЕ

Данный инструмент имеет длительный срок эксплуатации и требует минимальных затрат на техническое обслуживание. Для длительной безотказной работы необходимо обеспечить правильный уход и регулярную очистку.

ОПАСНО! Для снижения риска получения тяжелых травм, выключайте инструмент и извлекайте ключ безопасности и аккумуляторную батарею перед проведением любых действий по регулировке или установке/снятию дополнительных принадлежностей или насадок. Случайный запуск может стать причиной травм.

Зарядное устройство и аккумуляторные батареи не подлежат ремонту.

Дополнительные принадлежности

ВНИМАНИЕ: Поскольку принадлежности, отличные от тех, которые предлагает DEWALT, не проходили тесты на данном изделии, то использование этих принадлежностей может привести к опасной ситуации. Во избежание риска получения травмы, с данным продуктом должны использоваться только рекомендованные DEWALT дополнительные принадлежности.

По вопросу приобретения дополнительных принадлежностей обращайтесь к Вашему дилеру.

Снятие и установка ножей (рис. X—DD)

ОПАСНО! РИСК ПОЛУЧЕНИЯ ТРАВМЫ. ПРИ РАЗБОРКЕ И ПОСЛЕДУЮЩЕЙ СБОРКЕ НОЖЕВОЙ СИСТЕМЫ УБЕДИТЕСЬ, ЧТО ВСЕ ДЕТАЛИ УСТАНОВЛЕНЫ ПРАВИЛЬНО, КАК ОПИСАНО НИЖЕ. НЕПРАВИЛЬНАЯ УСТАНОВКА НОЖЕЙ И ДРУГИХ КОМПОНЕНТОВ МОЖЕТ ПРИВЕСТИ К ТЯЖЕЛЫМ ТРАВМАМ.

ОПАСНО! Чтобы снизить риск получения серьезной травмы, необходимо выключить инструмент, извлечь ключ безопасности и отсоединить батареи, прежде чем выполнять какую-либо регулировку либо удалять/устанавливать какие-либо дополнительные приспособления. Случайный запуск может привести к травме.

Сменные ножи можно приобрести в ближайшем авторизованном сервисном центре. Для данной газонокосилки требуются сменные ножи: DT20902.

Отрежьте деревянный брусок размером 38 x 89 мм **42** (длиной около 61 см), чтобы ножи не проворачивались при откручивании болта крепления ножа **43**.

ОСТОРОЖНО! Используйте защитные перчатки и очки. Положите газонокосилку на бок. Будьте осторожны, не порежьтесь об острые края ножей.


1. Расположите газонокосилку на боку таким образом, чтобы два колеса стояли в горизонтальном положении на земле.
 2. Расположите деревянный брусок размером 38 x 89 мм **42** между блоком ножей **47** и внешней кромкой деки, как показано на рис. X, препятствуя вращению ножей.
 3. Открутите и снимите болт блока ножей **43** против часовой стрелки с помощью 14 мм (9/16") гаечного ключа **44** (не входит в комплект поставки) как показано на рис. X, Y.
 4. Снимите прокладку со шпонками **45** и блок ножей **47** с вала ножа **49**.
 5. Закрепите блок ножей **47** в тисках **34** как показано на рис. Z.
 6. Открутите гайки четырех ножа **51** против часовой стрелки с помощью 14 мм (9/16") гаечного ключа **44** (не входит в комплект поставки) как показано на рис. Z. Сначала открутите две гайки ножа **51** для ножа **1 52** и снимите нож **1**. Затем открутите две гайки ножа **51** для ножа **2 53** и вытяните нож **2** из ступицы ножей **48**.
- ПРИМЕЧАНИЕ.** Ножи газонокосилки **52** и **53** имеют монтажные отверстия со шпонками **55**, позволяющие устанавливать их на ступицу ножа **48** только в правильном направлении.
7. Проверьте все составляющие на предмет повреждений и, в случае необходимости, замените их.
 8. Установите заточенные или новые ножи на ступицу ножа **48**, как показано на рис. AA, BB.
 9. Нож **2 53** устанавливают первым, при этом отверстия для болтов совмещают с наружными шпильками ножа **56**, а монтажное отверстие со шпонками **55** на ступице ножа **48**, как показано на рис. AA.
- ПРИМЕЧАНИЕ.** Убедитесь, что монтажное отверстие со шпонками **55** входит в шпонку **57** на ступице ножа **48** как показано на рис. AA. Шпонка **57** должна выступать за нож **2 53**.

10. Нож **1 52** устанавливаются вторым, при этом отверстия для болтов совмещают с внутренними шпильками ножа **58**, а монтажное отверстие со шпонками **55** на ступице ножа **48**, как показано на рис. ВВ.
- ПРИМЕЧАНИЕ.** Убедитесь, что монтажное отверстие со шпонками **55** входит в шпонку **57** на ступице ножа **48** и заходит заподлицо, как показано на рис. ВВ.
- ПРИМЕЧАНИЕ.** Если нож **1 52** не заходит заподлицо со шпонкой **57** на ступице ножа **48**, значит, ножи установлены в неправильном порядке и их необходимо поменять местами.

11. Навинтите четыре гайки ножа **51** на шпильки ножа **56** и **58**, как показано на рис. АА, ВВ. Вручную затяните четыре гайки ножа **51**.
- ПРИМЕЧАНИЕ.** При замене заточенных или новых ножей на ступицу ножа **48** убедитесь, что нижняя часть ножа с маркировкой «**Grass Side**» направлена в сторону земли, когда газонокосилка вернется в рабочее вертикальное положение.
12. Закрепите блок ножей **47** в тисках **34**. Затяните четыре гайки ножа **51** по часовой стрелке с помощью 14 mm (9/16") гаечного ключа **44** (не входит в комплект поставки). Затяните четыре гайки ножа **51** с моментом 18-27 Нм (13-20 фут-фунтов).
13. В этом порядке установите блок ножей **47** и прокладку со шпонками **45** на вал ножа **49**, как показано на рис. СС.
- ПРИМЕЧАНИЕ.** Совместите шпонки **46** на прокладке со шпонками **45** с пазами **60** на валу ножа **49**, как показано на рис. СС.
14. Установите болт блока ножа **43** и затяните его вручную.
15. Расположите деревянный брусок размером 38 x 89 мм **42** между блоком ножей **47** и внешней кромкой деки, как показано на рис. DD, препятствуя вращению ножей.
16. Полностью затяните болт блока ножа **43** с помощью 14 mm (9/16") гаечного ключа **44** (не входит в комплект поставки). Затяните болт блока ножа **43** с моментом 50-68 Нм (37-50 фут-фунтов).
17. Верните газонокосилку в нормальное вертикальное положение.

Заточка ножей (рис. EE)

ДЛЯ ОБЕСПЕЧЕНИЯ ОПТИМАЛЬНОЙ РАБОТЫ ГАЗОНОКОСИЛКИ ПОДДЕРЖИВАЙТЕ НОЖИ ОСТРЫМИ. ЗАТУПЛЕННЫЙ НОЖ НЕ СКАШИВАЕТ ТРАВУ РОВНО.

 **ОСТОРОЖНО!** Снимая, затачивая и устанавливая ножи, используйте защитные перчатки и подходящие защитные очки. Убедитесь, что ключ безопасности и аккумуляторные батареи извлечены.

В нормальных условиях эксплуатации достаточно затачивать ножи не более двух раз за один сезон. Песок приводит к ускоренному затуплению ножа. Если на вашем газоне присутствует песок, может понадобиться более частое

затачивание ножа. **НЕМЕДЛЕННО ЗАМЕНЯЙТЕ ПОГНУТЫЕ И ПОВРЕЖДЕННЫЕ НОЖИ.**

Затачивание ножа:

- Сохраняйте балансировку ножа.
- Поддерживайте исходный угол режущих кромок ножей.
- Затачивайте режущие кромки с обеих сторон ножа, стараясь удалить одинаковое количество материала.


Затачивание ножа в тисках (Рис. EE)


1. Перед извлечением ножей убедитесь, что переключатель запуска отпущен, ножи полностью остановились и извлечены предохранительный ключ и аккумуляторная батарея.
2. Извлеките ножи из газонокосилки. См. инструкции в разделе «**Снятие и установка ножей**».
3. Зажмите нож **52** или **53** в тисках **34**.
4. Наденьте подходящие средства защиты глаз и перчатки и соблюдайте осторожность, чтобы не порезаться.
5. Аккуратно стачивайте режущие кромки ножа мелкозернистым напильником **54** (не входит в комплект поставки) или точильным камнем (не входит в комплект поставки), сохраняя первичный угол режущей кромки.
6. Проверьте балансировку ножа. См. раздел «**Балансировка ножа**».
7. Установите ножи на газонокосилку и надежно затяните болты.

Балансировка ножа (Рис. EE, FF)

Для проверки балансировки каждого ножа **52** или **53** установите ключевое монтажное отверстие **55** на гвоздь или круглую отвертку **59**, горизонтально зажатую в тиски **34**. Если какая-либо сторона ножа опускается вниз, сточите небольшое количество материала с режущей кромки на этой стороне. При правильной балансировке нож выравнивается.

Очистка (рис. А)

 **ОСТОРОЖНО!** Выдувайте грязь и пыль из всех вентиляционных отверстий сухим, чистым воздухом хотя бы раз в неделю. Чтобы свести к минимуму риск травмирования глаз, всегда надевайте при этом защитные очки и пылезащитную маску утвержденного типа.

 **ОСТОРОЖНО!** Никогда не пользуйтесь растворителями или другими сильнодействующими химическими веществами для чистки неметаллических частей инструмента. Эти химикаты могут повредить структуру материала, используемого для производства таких деталей. Используйте ткань, смоченную в мягком мыльном растворе. Не допускайте попадания жидкости внутрь устройства; никогда не погружайте никакие из деталей устройства в жидкость.

- Отпустите скобу управления **8** для отключения газонокосилки и дождитесь остановки ножей.

- Извлеките аккумуляторную батарею и ключ безопасности.
- Удалите остатки травы, которые могут собраться в нижней части корпуса. Не разбрызгивайте воду или любые другие жидкости.
- После нескольких применений проверьте надежность фиксации элементов крепления.

Защита окружающей среды



Изделия/аккумуляторные батареи подлежат вторичной переработке, однако при наличии символа перечеркнутого мусорного бака на маркировке их запрещается утилизировать с обычными бытовыми отходами.

Полностью разрядите батареи и отделите их, а также, если возможно, отделите все источники света от изделия.

Пользователь несет ответственность за удаление личных данных из продукта. Затем отнесите отходы в официальный центр сбора мусора или к участвующему в программе розничному продавцу, который часто принимает их бесплатно. Упаковку следует выбросить в соответствии с обозначенным кодом материала. Инструкции по эксплуатации и правила техники безопасности следует утилизировать только в том случае, если изделие, к которому они относятся, больше не используется.

Пожалуйста, обратитесь в местное сообщество/ муниципалитет за рекомендациями по обращению с отходами. Для получения дополнительной информации посетите сайт www.2helpu.com и отсканируйте приведенный выше QR-код.

Коррозия (рис. А)

Удобрения и прочие садовые химические средства содержат вещества, которые значительно ускоряют образование коррозии на металлических поверхностях. В случае использования косилки в местах, где применялись удобрения и химические вещества, ее необходимо очистить сразу после эксплуатации следующим образом:

Отпустите скобу управления **8** для отключения газонокосилки и извлеките аккумуляторную батарею и ключ безопасности. Протрите все поверхности влажной тряпкой.



ВНИМАНИЕ! Не лейте и не распыляйте воду на газонокосилку, пытайтесь ее очистить. Не храните инструмент на или рядом с удобрениями или химическими веществами. Такое хранение может вызвать быструю коррозию.

Смазка

Ваш электроинструмент не требует дополнительной смазки.

НЕИСПРАВНОСТИ И СПОСОБЫ ИХ УСТРАНЕНИЯ



ОПАСНО! Чтобы снизить риск получения серьезной травмы, необходимо выключить инструмент, извлечь ключ безопасности и отсоединить аккумуляторную батарею, прежде чем выполнять какую-либо регулировку либо удалять/устанавливать какие-либо дополнительные приспособления. Случайный запуск может привести к травме.

Для получения помощи касательно продукта, обратитесь в местное DeWALT авторизованном сервисном центре.

НЕИСПРАВНОСТЬ	РЕШЕНИЕ
Газонокосилка не работает при нажатии на скобу управления.	Убедитесь, что ключ безопасности установлен и полностью находится на своем месте, а кнопка включения нажата. Отпустите скобу управления. Выключите газонокосилку. Извлеките ключ безопасности и аккумуляторную батарею. Переверните газонокосилку и проверьте, свободно ли вращаются ножи.
	Убедитесь, что разъем аккумуляторной батареи не загрязнен и правильно подключен.
	Заряжена ли батарея? Нажмите на кнопку индикатора заряда.
	Если горит индикатор складывания рукоятки 15 , см. раздел «Подъем рукоятки срабатывания в одно касание» в данном руководстве.
Двигатель вращения ножей останавливается во время работы	Отпустите скобу управления. Выключите газонокосилку. Извлеките ключ безопасности и аккумуляторную батарею. Переверните газонокосилку и проверьте, свободно ли вращаются ножи.
	Отрегулируйте высоту скашивания в самое высокое положение и запустите косилку.
	Убедитесь, что разъем аккумуляторной батареи не загрязнен.
	Заряжена ли батарея? Нажмите на кнопку индикатора заряда.
	Избегайте перегрузок косилки. Замедлите скорость или увеличьте высоту скашивания.
	Если горит индикатора перегрева 13 , дайте аккумуляторной батарее и газонокосилке остыть. После остывания перезапустите газонокосилку и возобновите кошение, установив деку косилки выше.

<p>Рукоятка срабатывания в одно касание 1 не блокируется в положении хранения</p>	<p>Убедитесь, что две защелки для хранения 30 в нижней части трубок рукоятки срабатывания в одно касание 1 выдвинулись наружу, прежде чем опускать рукоятку срабатывания в одно касание 1 в положение хранения.</p> <p>Основная рукоятка 4 должна полностью зацепиться за окна рукоятки 29. Если они не зафиксированы, как показано на рис. G, нажмите основную рукоятку 4 в направлении опоры рукоятки 2, пока не услышите два щелчка и обе стороны окон рукоятки 29 не закроются, как показано на рис. H.</p>
<p>Двигатель самохода останавливается во время работы</p>	<p>Отключите питание самоходной газонокосилки.</p> <p>Очистите корпус двигателя самохода от мусора.</p> <p>Убедитесь, что колеса вращаются свободно.</p>
<p>Газонокосилка работает, но не косит достаточно эффективно, или косит не полностью</p>	<p>Заряжена ли батарея? Нажмите на кнопку индикатора заряда.</p> <p>Отпустите скобу управления для отключения газонокосилки. Извлеките ключ безопасности и аккумуляторную батарею. Переверните газонокосилку и проверьте:</p> <ul style="list-style-type: none"> • остроту ножей — они должны быть острыми; • нижнюю часть корпуса и отверстие выброса на предмет затора. <p>Высота скашивания может быть слишком низкой для скашиваемой травы. Увеличьте высоту скашивания.</p> <p>Индикатор заточки ножей 16 загорается, когда ножи нуждаются в обслуживании. Заточите или замените ножи, см. раздел «Затачивание ножа» данного руководства.</p>
<p>Газонокосилку тяжело толкать.</p>	<p>Отпустите скобу управления для отключения газонокосилки. Извлеките ключ безопасности и аккумуляторную батарею. Увеличьте высоту скашивания, чтобы уменьшить трение косилки о траву. Проверьте, свободно ли вращаются колеса.</p> <p>Если горит индикатора перегрева 13, дайте аккумуляторной батарее и газонокосилке остыть. После остывания перезапустите газонокосилку и возобновите кошение, установив деку косилки выше.</p>
<p>Газонокосилка работает слишком громко или с чрезмерной вибрацией</p>	<p>Отпустите скобу управления для отключения газонокосилки. Извлеките ключ безопасности и аккумуляторную батарею. Поверните газонокосилку набок и проверьте нож на предмет изгиба и повреждения. В случае повреждения ножа замените его на сменный нож DeWALT. replacement blade. В случае повреждения нижней части корпуса отвезите газонокосилку в уполномоченный сервисный центр DeWALT. authorised service centre.</p> <p>Если видимые повреждения ножа отсутствуют, но газонокосилка все равно сильно вибрирует: Отпустите скобу управления для отключения газонокосилки. Извлеките ключ безопасности и аккумуляторную батарею. Разберите весь узел ножа, как описано в разделе «Снятие и установка ножей», удалите загрязнения и очистите все составляющие; Установите детали на место, как описано в разделе «Снятие и установка ножей». Если газонокосилка продолжает сильно вибрировать, отвезите ее в уполномоченный сервисный центр DeWALT. service centre.</p>
<p>Травосборник не собирает траву.</p>	<p>Отверстие выброса забилося. Отпустите скобу управления для отключения газонокосилки. Извлеките ключ безопасности и аккумуляторную батарею. Очистите отверстие выброса от скошенной травы.</p> <p>Поднимите высоту скашивания колес, чтобы снизить высоту скашивания.</p> <p>Травосборник переполнен. Чаше очищайте мешок.</p>



ГАРАНТИЙНЫЙ ТАЛОН



1. Поздравляем Вас с покупкой высококачественного изделия DEWALT и выражаем признательность за Ваш выбор.
2. При покупке изделия требуйте проверки его комплектности и исправности в Вашем присутствии, инструкцию по эксплуатации и заполненный Гарантийный талон на русском языке. В гарантийном талоне должны быть внесены: модель, дата продажи, серийный номер, дата производства инструмента; название, печать и подпись торговой организации. При отсутствии у Вас правильно заполненного Гарантийного талона, а также несоответствия указанных в нем данных, мы будем вынуждены отклонить Ваши претензии по качеству данного изделия.
3. Во избежание недоразумений, убедительно просим Вас перед началом работы с изделием внимательно ознакомиться с инструкцией по его эксплуатации. Правовой основой настоящих гарантийных условий является действующее Законодательство. Гарантийный срок на данное изделие составляет 36 месяцев и исчисляется со дня продажи. В случае устранения недостатков изделия, гарантийный срок продлевается на период его нахождения в ремонте. Срок службы изделия составляет 5 лет со дня продажи.
4. В случае возникновения каких-либо проблем в процессе эксплуатации изделия рекомендуем Вам обращаться только к уполномоченным сервисным центрам DEWALT, адреса и телефоны которых Вы сможете найти на сайте www.2helpU.com или узнать в магазине. Наши сервисные станции - это не только квалифицированный ремонт, но и широкий ассортимент запчастей и принадлежностей.
5. Производитель рекомендует проводить периодическую проверку и техническое обслуживание изделия в уполномоченных сервисных центрах.
6. Наши гарантийные обязательства распространяются только на неисправности, выявленные в течение гарантийного срока и вызванные дефектами производства и / или материалов.
7. Гарантийные условия не распространяются на неисправности изделия, возникшие в результате:
 - 7.1. Несоблюдения пользователем предписаний инструкции по эксплуатации изделия, применения изделия не по назначению, неправильном хранении, использования принадлежностей, расходных материалов и запчастей, не предусмотренных производителем.
 - 7.2. Механического повреждения (сколы, трещины и разрушения) внутренних и внешних деталей изделия, основных и вспомогательных рукояток, сетевого электрического кабеля, вызванного внешним ударным или любым иным воздействием.
 - 7.3. Попадания в вентиляционные отверстия и проникновение внутрь изделия посторонних предметов, материалов или веществ, не являющихся отходами, сопровождающими применение изделия по назначению, такими как: стружка, опилки, песок, и пр.
 - 7.4. Воздействия на изделие неблагоприятных атмосферных и иных внешних факторов, таких как дождь, снег, повышенная влажность, нагрев, агрессивные среды, несоответствие параметров питающей электросети, указанных на инструменте.
 - 7.5. Стихийного бедствия. Повреждение или утрата изделия, связанное с непредвиденными бедствиями, стихийными явлениями, в том числе вследствие действия непреодолимой силы (пожар, молния, потоп и другие природные явления), а также вследствие перепадов напряжения в электросети и других причин, которые находятся вне контроля производителя.
8. Гарантийные условия не распространяются:
 - 8.1. На инструменты, подвергавшиеся вскрытию, ремонту или модификации вне уполномоченного сервисного центра.
 - 8.2. На детали и узлы, имеющие следы естественного износа, такие как: приводные ремни и колеса, угловые щетки, смазка, подшипники, зубчатое зацепление редукторов, резиновые уплотнения, сальники, направляющие ролики, муфты сцепления, бойки, толкатели, стволы, и т.п.
 - 8.3. На сменные и расходные части: цанги, зажимные гайки и фланцы, фильтры, ножи, шлифовальные подошвы, цепи, звездочки, пыльные шины, защитные кобухи, пилки, абразивы, пыльные и абразивные диски, фрезы, сверла, буры и т.п.
 - 8.4. На неисправности, возникшие в результате перегрузки инструмента (как механической, так и электрической), повлекшей выход из строя одновременно двух и более деталей и узлов, таких как ротора и статора, обеих обмоток статора, ведомой и ведущей шестерни редуктора или других узлов и деталей. К безусловным признакам перегрузки изделия относятся, помимо прочего: появление цветов побежалости, деформация или оплавление деталей и узлов изделия, потемнение или обугливание изоляции проводов электродвигателя под воздействием высокой температуры.

Товар получен в исправном состоянии, без видимых повреждений, в полной комплектации, проверен в моем присутствии, претензий по качеству товара не имею. С условиями гарантийного обслуживания ознакомлен и согласен.

Ф. И. О. и подпись покупателя _____

Уважаемые клиенты, наша сеть авторизованных сервисных центров постоянно расширяется. Актуальную информацию об обслуживании в интересующем вас городе вы можете узнать на сайте

www.2helpU.com

Информация об инструменте

Наименование инструмента	
Модель	
Наименование продавца	
Дата продажи	

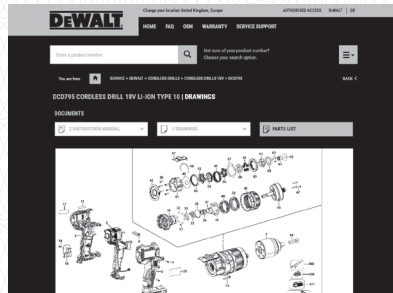
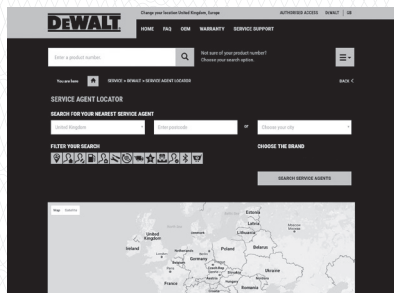
М.П.
Продавца

Серийный номер / Дата производства

Инструмент	
Зарядное устройство	
Аккумулятор 1	
Аккумулятор 2	

На сайте www.2helpU.com доступны следующие функции:

- Список авторизованных сервисных центров
- Удобный поиск ближайшего сервисного центра
- Руководство по эксплуатации
- Технические характеристики
- Список деталей и запасных частей
- Схема сборки инструмента



Также данную информацию вы можете получить, позвонив по телефону:
8(800) 1000 876

ОТМЕТКА О ПРОВЕДЕНИИ СЕРВИСНОГО ОБСЛУЖИВАНИЯ

№1	№2	№3	№4
№ заказа	№ заказа	№ заказа	№ заказа
Дата поступления	Дата поступления	Дата поступления	Дата поступления
Дата ремонта	Дата ремонта	Дата ремонта	Дата ремонта
Печать и подпись сервисного центра	Печать и подпись сервисного центра	Печать и подпись сервисного центра	Печать и подпись сервисного центра

DCMWP500 54В ГАЗОНОКОСАРКА

DCMWP550 54В САМОХІДНА КОСАРКА

Вітаємо вас!

Ви обрали інструмент виробництва компанії DEWALT. Ретельна розробка продукції, багаторічний досвід фірми у виробництві інструментів, різні вдосконалення, все це зробило інструменти DEWALT одними із найнадійніших помічників для тих, хто використовує електричні інструменти у своїй професії.

Технічні дані

		DCMWP500	DCMWP550
Напруга	В пост. струму	54	54
Тип акумулятора	Літій-іонний	Літій-іонний	Літій-іонний
Швидкість без навантаження	об/хв	2500	2500
Максимальна швидкість	об/хв	2800	2800
Довжина леза	см	53	53
Маса	кг	26	29

Значення рівня шуму та вібрації (сума трьох векторів) відповідно до стандарту EN62841-1

L_{pA} (рівень тиску звукового випромінювання)	дБ(A)	77	77
K (похибка для даного рівня звукового тиску)	дБ(A)	3	3
L_{WA} (рівень звукової потужності)	дБ(A)	84	84
K (похибка для даного рівня звукового тиску)	дБ(A)	1.3	1.3
Зважене значення вібрації, що передається на руки:			
Значення вібрації $a_h =$	м/с ²	2,5	2,5
Похибка K =	м/с ²	1,5	1,5

Значення вібрації та/або шуму, наведене в цьому документі, було виміряне згідно зі стандартизованим тестом, викладеним в EN62841 та може використовуватись для порівняння інструментів. Це значення вібрації можна також використовувати для попередньої оцінки впливу вібрації.

⚠ ПОПЕРЕДЖЕННЯ: Заявлене значення вібрації та/або шуму відповідає вимогам цільового використання інструмента. Однак якщо інструмент використовується для виконання інших завдань, або з іншими витратними матеріалами/насадками, або не обслуговується належним чином, значення вібрації та/або шуму може відрізнятись. Це може значно збільшити рівень впливу протягом усього періоду роботи.

Оцінка рівня впливу вібрації та/або шуму має враховувати час, протягом якого інструмент є ввімкненим, а також час, протягом якого він є

ввімкненим, але не використовується. Це може значно зменшити рівень впливу протягом усього періоду роботи.

Визначення додаткових заходів безпеки для захисту оператора від впливу вібрації та/або шуму: технічне обслуговування інструмента та приладдя, утримання рук у теплі (має значення для вібрації), організація режиму роботи.

Декларація про відповідність ЄС Директива для механічного обладнання



54В газонокосарка DCMWP500, DCMWP550

DEWALT заявляє, що вироби, описані в розділі **Технічні дані**, відповідають наступним вимогам:

2006/42/EC, EN 62841-1:2015 + A11:2022; EN IEC 62841-4-3:2021 + A11:2021.

Ці вироби також відповідають вимогам Директив 2014/30/EU та 2011/65/EU.

2000/14/EC, Газонокосарка, $50 < L \leq 70$, Додаток VI DEKRA Testing and Certification GmbH, Handwerkstraße 15, 70565 Stuttgart, Німеччина

Ідентифікаційний номер органа технічної експертизи: 0158

Рівень акустичної потужності відповідно до 2000/14/EC (Стаття 12, Додаток VI, $50 < L \leq 70$ см):

L_{WA} (виміряна акустична потужність) 84 дБ(A)

Похибка (K) = 1.3 дБ(A)

L_{WA} (гарантована акустична потужність) 88 дБ(A)

Для отримання додаткової інформації, будь ласка, звертайтеся до компанії DEWALT за адресою, зазначеною нижче або наприкінці цього посібника.

Нижчепідписаний несе відповідальність за упорядкування файлу технічних характеристик та робить цю заяву від імені компанії DEWALT.

Маркус Ромпель
Віце-президент з інженерно-технічного забезпечення,
PTE-Europe
DEWALT, Richard-Klinger-Straße 11,
65510, Ідштайн, Німеччина
02.08.2023



ПОПЕРЕДЖЕННЯ: Уважно прочитайте керівництво з експлуатації для зменшення ризику отримання травм.

Батареї				Зарядні пристрої/час зарядки (у хвилинали)**								
Кат. №	V _{DC}	Ah	Маса (kg)	DCB104	DCB107	DCB112/ DCB1102	DCB113	DCB115/ DCB1104	DCB116	DCB117	DCB118	DCB132
DCB546	18/54	6,0/2,0	1,08	60	270	170	140	90	80	40	60	90
DCB547/G	18/54	9,0/3,0	1,46	75*	420	270	220	135*	110*	60	75*	135*
DCB548	18/54	12,0/4,0	1,46	120	540	350	300	180	150	80	120	180
DCB549	18/54	15,0/5,0	2,12	125	730	450	380	230	170	90	125	230

*Код дати 201811475В або пізніше

**Таблиця представлена тільки для справки; время зарядки может варьироваться.

Позначення: інструкції з техніки безпеки

Умовні позначення, наведені нижче, описують рівень важливості кожної попереджувальної вказівки. Прочитайте керівництво з експлуатації та зверніть увагу на символи, наведені нижче.



НЕБЕЗПЕЧНО: Вказує на безпосередню загрозу, яка, якщо її не уникнути, призведе до смерті або серйозної травми.



ПОПЕРЕДЖЕННЯ: Вказує на потенційну загрозу, ігнорування якої може призвести до смерті або серйозної травми.



УВАГА: Вказує на потенційну загрозу, ігнорування якої може призвести до травми легкої або середньої тяжкості.

ПРИМІТКА: Вказує на ситуацію, не пов'язану з особою травмою, ігнорування цієї ситуації може призвести до пошкодження майна.



Вказує на ризик ураження електричним струмом.



Вказує на ризик виникнення пожежі.

ЗАГАЛЬНІ ПРАВИЛА БЕЗПЕКИ ПРИ ЕКСПЛУАТАЦІЇ ЕЛЕКТРИЧНОГО ІНСТРУМЕНТА



ПОПЕРЕДЖЕННЯ: Ознайомтеся з усіма попередженнями, інструкціями з техніки безпеки, зображеннями та специфікаціями, які поставляються з даним електричним інструментом. Невиконання нижченаведених інструкцій може призвести до ураження електричним струмом, пожежі та/або серйозних тілесних ушкоджень.

ЗБЕРІГАЙТЕ ВСІ ПОПЕРЕДЖЕННЯ ТА ІНСТРУКЦІЇ ДЛЯ ПОДАЛЬШОГО ВИКОРИСТАННЯ

Термін «електричний інструмент» в усіх попередженнях стосується використовуваних вами інструментів, що живляться від мережі енергопостачання (з електричним кабелем) або від акумуляторів (без кабелю).

1) Безпека робочої зони

- Робоча зона завжди має бути чистою та добре освітленою. Захаращена або темна робоча зона призводить до нещасних випадків.

- Не використовуйте електричні інструменти у вибухонебезпечній атмосфері, наприклад поруч із вогнебезпечними рідинами, газами та пилом. Електричні інструменти створюють іскри, що можуть запалити пил або палу.

- Тримайте дітей та сторонніх подалі від час використання інструмента. Відвернення уваги може призвести до втрати контролю.

2) Електрична безпека

- Вилка мережевого кабеля електричного інструмента повинна відповідати розетці. Ніколи жодним чином не змінюйте вилку. Не використовуйте адаптери з замкнутими на землю (заземленими) електричними інструментами. Немодифіковані вилки та розетки, що підходять до них, зменшують ризик ураження електричним струмом.
- Уникайте контакту тіла з заземленими поверхнями, такими як труби, радіатори, плити та холодильники. Якщо ваше тіло заземлене, збільшується ризик ураження електричним струмом.
- Не залишайте електричні інструменти під дощем або в умовах підвищеної вологості. Вода, що потрапляє в електричний інструмент, підвищує ризик ураження електричним струмом.
- Не використовуйте кабелів живлення не за призначенням. Ніколи не переносьте, не тягніть та не відключайте електричний інструмент від розетки живлення за допомогою шнура. Тримайте шнур подалі від високих температур, мастила, гострих предметів та рухомих деталей. Пошкоджені або перекручені шнури підвищують ризик ураження електричним струмом.
- При використанні електричного інструмента на вулиці, використовуйте подовжувальний шнур, що підходить для використання на вулиці. Використання шнура, що призначений для використання поза приміщенням, знижує ризик ураження електричним струмом.
- Якщо неможливо уникнути використання електричного інструмента в умовах підвищеної вологості, використовуйте живлення, захищене пристроєм захисного відключення (ПЗВ). Використання ПЗВ знижує ризик ураження електричним струмом.

3) Особиста безпека

- a) **Будьте уважні, дивіться, що ви робите, та будьте розсудливі, працюючи з електричним інструментом. Не використовуйте електричний інструмент, коли ви втомлені або знаходитесь під впливом наркотичних речовин, алкоголю або ліків.** Втрата уваги під час роботи з електричним інструментами може призвести до серйозних травм.
- b) **Використовуйте особисті засоби захисту. Завжди використовуйте засоби захисту очей.** Засоби захисту, такі як протипилова маска, неслизькі безпечні черевки, захисний шолом та засоби захисту слухового апарату при використанні для відповідних умов зменшують імовірність особистих травм.
- c) **Уникайте випадкового запуску. Переконайтесь в тому, що вимикач знаходиться в позиції Вимк., перш ніж підключати інструмент до джерела живлення та/або акумулятора, переміщувати або переносити.** Може статися нещасний випадок, коли ви переносите інструмент, тримаючи палець на вимикачі, або підключаєте електроінструменти до мережі живлення, коли увімкнений вимикач.
- d) **Зніміть усі ключі для регулювання або гайкові ключі, перш ніж вмикати електричний інструмент.** Гайковий ключ, що залишився прикріпленим до якоїсь деталі електричного пристрою, що обертається, може призвести до травм.
- e) **Не прикладайте надмірних зусиль. Завжди утримуйте правильну постановку ніг і рівновагу.** Це дає вам змогу краще контролювати інструмент в неочікуваних ситуаціях.
- f) **Одягайтеся відповідним чином. Не вдягайте вільний одяг або прикраси. Тримайте ваше волосся та одяг подалі від рухомих деталей.** Вільний одяг, прикраси або довге волосся можуть зачепитися за рухомі деталі.
- g) **Якщо передбачені пристрої для підключення до засобів видалення та збирання пилу, переконайтесь, що вони правильно підключені та використовуються.** Використання таких пристроїв зменшує ризик виникнення небезпечних ситуацій, що пов'язані з потраплянням пилу.
- h) **Навіть якщо ви добре знаєте інструмент та часто його використовуйте, не розслабляйтесь та не забувайте про принципи техніки безпеки.** Необережні дії можуть за долю секунди призвести до важких тілесних ушкоджень.
- безпечніше за умов виконання робіт, для яких він був розроблений.
- b) **Не використовуйте інструмент, якщо його неможливо вимкнути та вимкнути за допомогою вимикача.** Будь-який електричний інструмент, яким неможливо керувати за допомогою вимикача, є небезпечним і має бути відремонтований.
- c) **Від'єднайте вилку від джерела живлення та/або вийміть акумуляторну батарею, якщо вона знімається, перед будь-якими налаштуваннями електроінструменту, зміні аксесуарів або збиранням електроінструментів.** Ці профілактичні заходи зменшують ризик випадкового запуску електричного інструмента.
- d) **Зберігайте вимкнені електричні інструменти в недоступному для дітей місці та не дозволяйте особам, що не знайомі з електричним інструментом або цими інструкціями, використовувати електричний інструмент.** Електричні інструменти є небезпечними, якщо вони використовуються некваліфікованими користувачами.
- e) **Технічне обслуговування електричних інструментів та приладдя. Перевіряйте неспівісність, заїдання рухомих деталей, наявність пошкоджених частин та інших факторів, які можуть впливати на роботу електричного інструменту.** Якщо є пошкодження, відремонтуйте електричний інструмент перед використанням. Нещасні випадки часто є результатом того, що інструмент не пройшов відповідного технічного обслуговування.
- f) **Різальні інструменти мають бути гострими та чистими.** Правильно доглянуті різальні інструменти з гострими різальними кромками мають меншу імовірність заїдання, та ними легше керувати.
- g) **Використовуйте електричний інструмент, додаткові інструменти та деталі інструменту тощо у відповідності до цих інструкцій та відповідно до даного типу електричних інструментів, зважаючи на умови використання та роботу, яка має бути виконана.** Використання електричних інструментів не за призначенням може призвести до виникнення небезпечних ситуацій.
- h) **Всі ручки та поверхні для тримання інструмента мають бути сухими, без залишків мастила.** Слизькі ручки та поверхні для тримання не дозволяють безпечно працювати та контролювати інструмент у неочікуваних ситуаціях.

4) Використання електричного інструмента та догляд за ним

- a) **Не прикладайте надмірних зусиль під час роботи з інструментом. Використовуйте електричний інструмент, який відповідає завданню, що виконується.** Правильно обраний інструмент виконає завдання краще та

5) Використання та догляд за інструментом, що живиться від акумулятора

- a) **Заряджайте інструмент лише за допомогою зарядного пристрою, вказаного виробником.**

Зарядний пристрій, що підходить до одного типу акумуляторів, може призвести до пожежі в разі використання з іншим акумулятором.

b) **Використовуйте електричні інструменти лише з призначеними для них акумуляторами.** Використання інших акумуляторів може призвести до травм або пожежі.

c) **Коли акумулятори не використовуються, зберігайте їх подалі від металевих предметів, таких як скріпки, монети, ключі, цвяхи, гвинти або інші невеликі предмети, що можуть призвести до замикання двох контактів.** Коротке замикання клем акумулятора може призвести до вибуху або пожежі.

d) **За невідповідних умов використання рідина може витікати з акумулятора; уникайте контакту з цією рідиною. Якщо контакт таки стався, промийте забруднену ділянку водою. Якщо рідина потрапила в очі, промийте водою та зверніться до лікаря.** Рідина, що витікає з акумулятора, може призвести до подразнень та опіків.

e) **Не використовуйте пошкоджені або модифікований акумулятор або інструмент.** Пошкоджені або модифіковані акумулятори можуть поводити себе непередбачуваним чином, призводячи до пожежі, вибуху або тілесним ушкодженням.

f) **Не піддавайте акумулятор та інструмент дії вогню та надмірних температур.** Дія вогню або температури вище 130 °C може спричинити вибух.

g) **Виконуйте всі інструкції щодо зарядки; заряджайте акумулятор та інструмент тільки в межах температурного діапазону, вказаного в інструкціях.** Неналежна зарядка або зарядка поза межами вказаного температурного діапазону може пошкодити акумулятор та підвищити ризик пожежі.

6) Обслуговування

a) **Надавайте ваш електричний інструмент для обслуговування кваліфікованим спеціалістом з ремонту та використовуйте тільки ідентичні заміні деталі.** Це забезпечить безпеку електричного пристрою.

b) **Ніколи не обслуговуйте пошкоджені акумулятори самостійно.** Обслуговування акумуляторів мають виконувати представники виробника або працівники офіційного сервісного центру.

Попередження з техніки безпеки при роботі з газонокосаркою

1. **Не використовуйте газонокосарку під дощем або в умовах підвищеної вологості.** Це може збільшити ризик ураження електричним струмом.
2. **Не використовуйте газонокосарку у погану погоду, особливо коли існує ризик ураження блискавкою.** Це зменшує ризик ураження розрядом блискавки.

3. **Ретельно огляньте ділянку, де буде використовуватися газонокосарка, на присутність хижих тварин.** Хижі тварини можуть отримати травми від газонокосарки під час роботи.
4. **Завжди оглядайте місце, де буде використовуватися газонокосарка, та прибирайте все каміння, гілки, кабелі, кістки та інші сторонні предмети.** Відкинуті предмети можуть спричинити травми.
5. **Перед використанням газонокосарки обов'язково оглядайте її, стежте за тим, що лезо було гострим, а кріпильні елементи леза не мали ознак зносу та пошкодження.** Зношені або пошкоджені деталі збільшують ризик травмування.
6. **Регулярно перевіряйте травозбірник на ознаки зносу та пошкодження.** Зношений або пошкоджений травозбірник може збільшити ризик травмування.
7. **Тримайте захисні кожухи на місці. Захисні кожухи мають бути в робочому стані і правильно змонтовані.** Захисний кожух, який незакріплений, пошкоджений або неправильно функціонує, може призвести до травм.
8. **Не допускайте попадання сміття у всі отвори для впуску охолодженого повітря.** Засмічені отвори для повітря і сміття можуть призвести до перегріву або ризику пожежі.
9. **Під час роботи з газонокосаркою обов'язково обирайте неслизьке та захисне взуття. Не використовуйте газонокосарку босим або у відкритих сандаліях.** Це зменшує ймовірність травмування ніг від контакту з рухомих лезом.
10. **Під час роботи з газонокосаркою обов'язково надгайте довіг штани.** Відкрита шкіра підвищує ймовірність травмування відкинутими предметами.
11. **Не використовуйте газонокосарку на вологій траві. З інструментом потрібно ходити, а не бігати.** Це зменшує ризик ковзання та падіння, що може призвести до травм.
12. **Не використовуйте газонокосарку на занадто крутих схилах.** Це зменшує ризик втрати контролю, ковзання та падіння, що може призвести до травм.
13. **Під час роботи на схилах завжди слідкуйте за положенням ніг, працюйте поперек схилів, а не вгору чи вниз, і будьте особливо уважні під час зміни напрямку.** Це зменшує ризик втрати контролю, ковзання та падіння, що може призвести до травм.
14. **Будьте особливо уважні, коли повертаєте газонокосарку або тягнете її до себе. Завжди слідкуйте за оточенням.** Це знижує ризик спотикання під час роботи.
15. **Не торкайтеся лез та інших небезпечних рухомих деталей, доки вони в русі.** Це зменшує ризик травмування рухомими деталями.
16. **При видаленні застряглого матеріалу або чистенні газонокосарки переконайтеся, що всі викидачі**

живлення вимкнені, а акумулятор від'єднаний.

Несподіваний запуск газонокосарки може призвести до серйозних травм.

17. **Зупиніть роботу, якщо інструмент необхідно нахилити для перетину ділянок, не покритих травною, або для транспортування до та від ділянки експлуатації.**
18. **Не нахилийте інструмент під час увімкнення двигуна.**
19. **Зупиніть інструмент, витягніть захисний ключ і знімний акумулятор(и), переконайтеся, що всі рухомі деталі повністю зупинилися.**
 - У разі зіткнення зі стороннім предметом огляньте інструмент на наявність пошкоджень та відремонтуйте його перед повторним запуском та експлуатацією.
 - Якщо інструмент почне аномально вібрувати, негайно огляньте його на наявність пошкоджень, замініть або відремонтуйте пошкоджені деталі, а також перевірте і затягніть ослаблені деталі.
20. **Випорожніть травозбірник перед відправленням на зберігання.**

Інструкції з техніки безпеки

УВАГА! При використанні бездротових пристроїв необхідно дотримуватись основних заходів безпеки, включаючи наступні, щоб знизити ризик виникнення пожежі, ураження електричним струмом, травм та матеріальних ушкоджень.



УВАГА! При використанні пристрою необхідно дотримуватись правил техніки безпеки. Перед використанням пристрою уважно прочитайте цей посібник для забезпечення власної безпеки та безпеки сторонніх людей. Будь ласка, зберігайте інструкції в безпечному місці для використання в майбутньому.

- Перед роботою з пристроєм уважно прочитайте це керівництво.
- У цьому посібнику описано використання за призначенням. Використання будь-яких аксесуарів чи додаткових інструментів або виконання операцій з пристроєм, які не описано у цьому посібнику, може призвести до особистих травм.
- Зберігайте це керівництво для отримання інформації в подальшому.

ЗБЕРЕЖІТЬ ВСІ ДРУКОВАНІ ЕКЗЕМПЛЯРИ ІНСТРУКЦІЙ ТА ПОПЕРЕДЖЕНЬ ДЛЯ ПОДАЛЬШОГО ВИКОРИСТАННЯ.

Використання пристрою

Будьте уважні під час використання пристрою.

- Цей пристрій не призначений для використання молодими та хворими людьми без нагляду.
- Цей інструмент не можна використовувати як іграшки.

- Не дозволяйте дітям або тваринам підходити до робочої зони та торкатися пристрою.
- Необхідний ретельний нагляд, коли пристрій використовується біля дітей.
- Використовуйте лише у сухому місці. Не дозволяйте, щоб пристрій був вологим.
- Не занурюйте пристрій у воду.
- Не відкривайте корпус. В середині відсутні деталі, які користувач може обслуговувати самостійно.
- Не використовуйте цей пристрій у вибухонебезпечних умовах, наприклад, в присутності легкозаймистих рідин, газів або пилу.
- Перед використанням інструмента завжди оглядайте його, щоб переконаватися, що ніж гострий, а болти та кріпильні елементи ножа не мають ознак зносу та пошкодження. Замініть зношені та пошкоджені ножі та болти у комплектах, щоб зберегти баланс.
- Не використовуйте пристрій, коли інші особи, особливо діти або домашні тварини знаходяться поруч.
- Пам'ятайте, що оператор або користувач відповідає за нещасні випадки та безпеку щодо інших людей або їхнього майна.

Перед використанням

- Під час роботи з пристроєм завжди вдягайте міцні черевики та довгі штани. Не працюйте з інструментом босоніж та у відкритих сандалях. Унікайте вільного одягу, звисаючих поясів та краваток.
- Ретельно огляньте місце, де буде використовуватись пристрій, та приберіть всі предмети, які можуть бути відкинуті пристроєм.
- Перед використанням інструмента завжди оглядайте його, щоб переконатися, що ніж гострий, а болти та кріпильні елементи ножа не мають ознак зносу та пошкодження. Замініть зношені та пошкоджені деталі у комплекті, щоб зберегти баланс. Замініть пошкоджені або нерозбірливі маркування.

Після використання

- Коли пристрій не використовується, його необхідно зберігати у сухому, добре провітрюваному та недоступному для дітей місці.
- Дітям забороняється мати доступ до пристрою в місці зберігання.
- Якщо пристрій зберігається або транспортується в автомобілі, його необхідно помістити в багажник або зафіксувати, щоб уникнути рухів через раптові зміни швидкості або напрямку.

Перевірка та ремонт

- Перед використанням перевірте пристрій на наявність пошкоджених деталей. Перевірте на наявність зламаних деталей, пошкоджених перемикачів та інших умов, що можуть вплинути на роботу.
- Не використовуйте пристрій, якщо виявлено пошкодження або дефекти якоїсь деталі.

- Пошкоджені або дефектні деталі необхідно відремонтувати або замінити, звернувшись до авторизованого центру з ремонту.
- Ніколи не намагайтеся знімати або замінювати деталі, за винятком тих, що вказані в цьому посібнику.
- Будьте уважні під час налаштування косарки, слідкуйте, щоб пальці не потрапили між рухомими ножами/ деталями та нерухомими деталями пристрою.
- Під час обслуговування ножів пам'ятайте, що хоча джерело живлення вимкнене, ножі все ще можуть рухатися.
- Не тягніть газонокосарку назад за винятком випадків, коли це абсолютно необхідно. Завжди дивіться вниз та назад, перед та під час пересування назад.
- У жодному разі не спрямовуйте матеріал, що вивантажується, в бік інших людей. Уникайте вивантаження матеріалу в напрямку близько розташованої стіни або іншої перешкоди. Матеріал, що вивантажується, може відскочити та потрапити в оператора. Коли необхідно перейти через гравійне покриття, відпустіть дужку, щоб вимкнути газонокосарку та зупинити ніж.

Додаткові інструкції з техніки безпеки для газонокосарки

- Не транспортуйте пристрій з підключеним джерелом живлення.
- Під час використання газонокосарки міцно тримайте ручку обома руками.
- Якщо необхідно нахилити газонокосарку, обидві руки повинні залишатися у робочому положенні, коли вона нахилиться. Тримайте обидві руки в робочому положенні до того моменту, коли косарка повернеться в надійне положення на землі.
- У жодному разі не слухайте радіо або музику в навушниках під час використання газонокосарки.
- У жодному разі не намагайтеся відрегулювати висоту коліс, коли електродвигун увімкнений або захисний ключ знаходиться у корпусі перемикача.
- Якщо газонокосарка заїла, відпустіть дужку запуску, щоб вимкнути газонокосарку, зачекайте, поки ножі зупиняться та витягніть захисний ключ до того, як намагатися прочистити лоток або витягнути щось з-під платформи.
- Утримуйте руки та ноги подальше від зони різання.
- Ножі повинні бути гострими. Завжди використовуйте захисні рукавиці під час роботи з ножами газонокосарки.
- Якщо ви використовуєте травозбірник для трави, часто перевіряйте його на наявність ознак зношення та пошкодження. Якщо він надмірно зношений, замініть його на новий з міркувань безпеки використання.
- Будьте особливо уважні, коли повертаєте газонокосарку або тягнете її до себе.
- Не ставте руки або ноги поряд з газонокосаркою або під неї. У жодному разі не знаходьтеся навпроти отвору для вивантаження.
- Очистіть місце, де буде використовуватися газонокосарка, від таких предметів, як каміння, гілки, кабелі, іграшки, кістки тощо, які можуть бути відкинуті ножем. Такі предмети під час зіткнення з лезом можуть спричинити тяжкі ушкодження людині. Знаходьтеся за ручкою, коли двигун працює.
- Не використовуйте газонокосарку босим або у відкритому взутті. Завжди вдягайте міцне взуття.
- Не використовуйте газонокосарку без травозбірника, захисту отвору для вивантаження, заднього захисного кожуха та інших захисних пристроїв, які повинні бути встановлені на пристрій та знаходитись у справному стані. Періодично перевіряйте всі захисні кожухи та захисні пристрої, щоб упевнитися, що вони знаходяться у нормальному робочому стані та виконують відповідну функцію. Перед використанням замініть пошкоджені захисні кожухи та інші захисні пристрої.
- У жодному разі не залишайте без нагляду газонокосарку, яка працює.
- Завжди відпускайте дужку, щоб зупинити електродвигун, та чекайте повної зупинки ножів, а також витягайте захисний ключ перед очищенням газонокосарки, знімання мшок для трави, усуваючи забивання захисту отвору для вивантаження, перш ніж залишити газонокосарку або перед виконанням будь-яких налаштувань, ремонту або огляду.
- Використовуйте газонокосарку лише вдень або за умов доброго штучного освітлення, коли всі предмети, що знаходяться на шляху ножа, добре видно з місця оператора газонокосарки.
- Не використовуйте газонокосарку, знаходячись під впливом алкоголю або наркотиків, а також якщо ви втомилися чи захворіли. Завжди будьте уважні, добре стежте за тим, що ви робите, та будьте розсудливі.
- Уникайте знаходження у небезпечному середовищі. У жодному разі не використовуйте газонокосарку на вологій або мокрій траві та під час дощу. Завжди зберігайте стійке положення ніг, рухайтесь повільно й в жодному разі не біжіть.
- Якщо газонокосарка починає занадто сильно вібрувати, відпустіть дужку, зачекайте, щоб ніж зупинився, а потім відразу спробуйте знайти причину вібрації. Вібрація зазвичай свідчить про якісь пошкодження, див. **Пошук та усунення несправностей** для отримання рекомендацій у випадку занадто сильної вібрації.
- Під час використання газонокосарки завжди використовуйте належний захист очей та органів дихання.
- Використання будь-якого приладдя та додаткового обладнання, не рекомендованого до використання з цією газонокосаркою, є небезпечним. Використовуйте лише комплектуючі, схвалені компанією DEWALT.

- У жодному разі не намагайтеся дотягнутися занадто далеко під час роботи з газонокосаркою. Завжди підтримуйте правильне положення ніг та рівновагу під час роботи з газонокосаркою.
- Рухайтеся вздовж схилу, але за жодних обставин не вгору або вниз. Будьте особливо уважні під час зміни напрямку скошування на схилі.
- Уникайте ям, колій, горбиків, каменів та інших прихованих перешкод. Нерівна поверхня може стати причиною ковзання та падіння. Висока трава може ховати перешкоди.
- Не використовуйте косарку на вологій траві та занадто крутих схилах. Неправильне положення ніг може стати причиною ковзання та падіння.
- Не використовуйте косарку біля обривів, канал або насипів. У таких місцях можна випадково втратити рівновагу.
- Перед тим, як поставити пристрій на зберігання, завжди давайте йому охолонути.
- Витягніть вилку з розетки та витягніть акумуляторну батарею з пристрою. Переконайтеся, що всі рухомі частини повністю зупинились:
 - щоразу, коли ви залишаєте пристрій;
 - перед очищенням після забивання;
 - перед перевіркою, очищенням або роботою над пристроєм.

Безпека сторонніх людей

- Цей пристрій не призначений для використання особами (включаючи дітей) із зниженими фізичними, сенсорними або розумовими можливостями або особами, яким бракує досвіду або знань за винятком випадків, коли такі особи працюють під наглядом або отримали інструкції щодо використання пристрою від особи, яка несе відповідальність за їх безпеку.
- Діти повинні знаходитись під контролем, щоб гарантувати, що вони не будуть грати з пристроєм.
- Після зіткнення із стороннім предметом. Огляньте пристрій на предмет наявності пошкоджень та в разі потреби відремонтуйте його.

Залишкові ризики

Дотримання всіх правил техніки безпеки та застосування пристроїв безпеки не гарантує уникнення певних залишкових ризиків. До такого переліку належать:

- Травми через контакт з деталями, що рухаються/обертаються.
- Травми при заміні деталей, лез або аксесуарів.
- Травми через занадто тривале використання інструменту. При використанні будь-якого інструменту протягом тривалого періоду часу не забувайте робити регулярні перерви.
- Порушення слуху.
- Небезпека для здоров'я через вдихання пилу, що утворюється під час використання інструменту

(наприклад, при роботі з деревом, особливо з дубом, буком та ДВП)

- В жодному разі не підносьте та не переносьте пристрій з електродвигуном, який працює.


ЗБЕРІГАЙТЕ ЦІ ІНСТРУКЦІЇ

Зарядні пристрої

DEWALT не вимагають налаштувань і розроблені для максимально простого використання.

Електрична безпека

Електричний двигун розроблений для роботи лише з одним значенням напруги. Завжди перевіряйте, що напруга акумулятора відповідає напрузі, що вказана в технічних даних. Також переконайтеся, що напруга зарядного пристрою відповідає напрузі мережі живлення.

 Ваш зарядний пристрій DEWALT має подвійну ізоляцію відповідно до EN60335; тому заземлення не є необхідним.

Якщо кабель живлення пошкоджений, він повинен бути замінений лише авторизованою DEWALT сервісною організацією.

Використання електричного подовжувача

Використовуйте подовжувальний шнур лише за абсолютної необхідності. Використовуйте лише рекомендований подовжувальний шнур, що відповідає споживаній потужності вашого зарядного пристрою (див. **Технічні дані**). Мінімальний розмір перерізу провідника становить 1 мм²; максимальна довжина — 30 м.

При використанні кабельного барабану завжди витягуйте весь кабель.

Важливі інструкції з техніки безпеки для всіх зарядних пристроїв

ЗБЕРІГАЙТЕ ЦІ ІНСТРУКЦІЇ: У цьому керівництві містяться важливі інструкції з техніки безпеки та використання для сумісних зарядних пристроїв (див. «**Технічні дані**»).

- Перед використанням зарядного пристрою прочитайте всі інструкції та попередження на зарядному пристрої, акумуляторах та продукті, для якого ці акумулятори використовуються.



ПОПЕРЕДЖЕННЯ: Небезпека ураження електричним струмом. Не допускайте потрапляння рідини в зарядний пристрій. Це може призвести до ураження електричним струмом.



ПОПЕРЕДЖЕННЯ: Ми рекомендуємо використовувати пристрій з керуванням диференційним струмом з номінальним значенням диференційного струму 30 мА або менше.



УВАГА: Небезпека опіку. Для зниження ризику виникнення травм заряджайте лише акумулятори DEWALT. Інші типи акумуляторів можуть вибухнути, спричинивши тілесні ушкодження та пошкодження майна.



УВАГА: Уважно слідкуйте за тим, щоб діти не гралися з пристроєм.

ПРИМІТКА: За певних умов, коли зарядний пристрій підключений до мережі живлення, незахищені контакти всередині зарядного пристрою можуть замкнутися будь-яким стороннім предметом. Сторонні предмети, що проводять струм, наприклад металева стружка, алюмінієва фольга або будь-які металеві деталі, необхідно зберігати подалі від зарядного пристрою. Завжди відключайте зарядний пристрій від розетки, коли батарея не встановлена в зарядний пристрій. Відключіть зарядний пристрій від мережі живлення перед його очищенням

- **НЕ намагайтеся заряджати акумулятор зарядними пристроями, що не вказані в цьому керівництві.** Зарядний пристрій та акумулятори даної моделі розроблені для сумісної експлуатації.
- **Ці зарядні пристрої не призначені ні для чого іншого, крім зарядки акумуляторів DeWALT.** Використання з іншими акумуляторами може призвести до виникнення пожежі або ураження електричним струмом.
- **Не піддавайте зарядний пристрій впливу дощу або снігу.**
- **При відключенні зарядного пристрою від мережі живлення тягніть за вилку, а не за кабель.** Це зменшить ризик пошкодження вилки та кабелю.
- **Переконайтесь, що кабель розміщений так, щоб на нього не наступали, не ходили по ньому та не піддавали його іншим фізичним впливам.**
- **Не використовуйте подовжувальний шнур окрім випадків, коли це абсолютно необхідно.** Використання невідповідних подовжувальних шнурів може призвести до пожежі або ураження електричним струмом.
- **Не кладіть будь-які предмети на зарядний пристрій та не залишайте зарядний пристрій на м'якій поверхні, що може заблокувати вентиляційні отвори та призвести до надмірного нагрівання.** Розташуйте зарядний пристрій подалі від джерел тепла. Зарядний пристрій вентилюється крізь отвори у верхній та нижній частинах корпусу.
- **Не використовуйте зарядний пристрій із пошкодженим кабелем або вилкою — їх потрібно негайно замінити.**
- **Не використовуйте зарядний пристрій, якщо той отримав різкий удар, вдав або був пошкоджений іншим чином.** Віднесіть його до авторизованого сервісного центру.
- **Якщо зарядний пристрій вимагає технічного обслуговування або ремонту, не розбирайте його самотужки, а віднесіть до авторизованого сервісного центру.** Невідповідні способи використання можуть призвести до виникнення пожежі або ураження електричним струмом.

- Якщо кабель живлення пошкоджено, для уникнення небезпеки його необхідно негайно замінити, звернувшись до виробника, спеціаліста сервісного центру або іншого кваліфікованого спеціаліста.
- **Відключайте зарядний пристрій від розетки перед його очищенням. Це дозволяє знизити ризик ураження електричним струмом.** Видалення акумулятора не знижує ризик.
- **НИКОЛИ не намагайтесь з'єднувати два зарядні пристрої.**
- **Цей зарядний пристрій розрахований на роботу зі стандартною напругою побутової електромережі 230 В. Не намагайтесь використовувати його з іншою напругою.** Це не стосується автомобільних зарядних пристроїв.

Зарядка акумулятора (Рис. [Fig.] B)

1. Підключіть зарядний пристрій до відповідної розетки перед встановленням акумулятора.
2. Вставте акумулятор **15** у зарядний пристрій до упору. Червоний індикатор («зарядка») буде блимати, вказуючи на початок процесу зарядки.
3. Коли зарядку завершено, червоний індикатор горить, не блимаючи. Це означає, що акумулятор повністю заряджений та може використовуватися одразу або залишатися в зарядному пристрої. Щоб витягнути акумулятор із зарядного пристрою, натисніть кнопку деблокування **16** на акумуляторі.

ПРИМІТКА: щоб забезпечити максимальну продуктивність та тривалість роботи літій-іонного акумулятора, повністю зарядіть його перед першим використанням.

Робота зарядного пристрою

Нижче описані індикатори стану зарядки акумулятора.

Індикатори зарядки	
	Заряджається
	Повністю заряджений
	Затримка через надмірно високу/низьку температуру акумулятора*

*Червоний індикатор буде продовжувати миготіти, а жовтий індикатор буде горіти під час виконання цього завдання. Коли акумулятор досягне прийнятної температури, жовтий індикатор згасне, а зарядний пристрій відновить процес зарядки.

Сумісний зарядний пристрій не буде заряджати несправний акумулятор. Зарядний пристрій розпізнає несправну батарею та не вмикне світловий індикатор.

ПРИМІТКА: Це також може свідчити про проблему з зарядним пристроєм.

Якщо виявлено проблему із зарядним пристроєм, віднесіть зарядний пристрій та акумулятор для перевірки в авторизований сервісний центр.

Затримка через надмірно високу/низьку температуру акумулятора

Якщо зарядний пристрій визначає, що акумулятор є надмірно гарячим або холодним, він автоматично вмикає режим температурної затримки, припиняючи процес зарядки, доки акумулятор не досягне відповідної температури. Після досягнення прийнятної температури зарядний пристрій автоматично перемикається в режим зарядки акумулятора. Ця функція забезпечує максимальний термін служби акумулятора.

Холодний акумулятор буде заряджатися повільніше порівняно з теплим акумулятором. Такий акумулятор буде заряджатися повільніше протягом всього циклу зарядки та не повернеться до максимального значення зарядки, навіть якщо нагріється.

Зарядний пристрій DCB118 оснащений внутрішнім вентилятором, призначеним для охолодження акумулятора. Вентилятор автоматично вмикається, коли акумулятор потребує охолодження. Ніколи не використовуйте зарядний пристрій, якщо вентилятор працює неналежним чином або вентиляційні отвори заблоковані. Уникайте потрапляння сторонніх предметів усередину зарядного пристрою.

Електронна система захисту

Інструменти з літій-іонними акумуляторами XR розроблені з використанням електронної системи захисту, яка захищає акумулятор від перевантаження, перегрівання або глибокої розрядки.

Пристрій автоматично вмикається, якщо спрацює електронна система захисту. Якщо це сталося, встановіть літій-іонний акумулятор в зарядний пристрій до повної зарядки.

Кріплення на стіну

Ці зарядні пристрої можна закріпити на стіні, чи поставити на стіл або іншу робочу поверхню. При кріпленні на стіну розташуйте зарядний пристрій недалеко від електричної розетки, а також подалі від кутів та інших перешкод, що заважають повітряному потоку. Скористайтеся задньою частиною зарядного пристрою в якості шаблону для розташування кріпильних гвинтів на стіні. Надійно зафіксуйте зарядний пристрій за допомогою шурупів (потрібно придбати окремо) довжиною приблизно 25,4 мм з голівкою діаметром 7–9 мм, що закручуються в дерев'яну поверхню до оптимальної глибини, щоб залишилося приблизно 5,5 мм. Вирівняйте отвори на задній поверхні зарядного пристрою з виступаючими шурупами, після чого повністю вставте шурупи в отвори.

Інструкції з очищення зарядного пристрою



ПОПЕРЕДЖЕННЯ: Небезпека ураження електричним струмом. Відключіть зарядний пристрій від розетки змінного струму перед його очищенням. Бруд та жир можна видалити з поверхні зарядного пристрою за допомогою ганчірки або м'якої неметалевої щітки. Не використовуйте воду та мийні речовини. Не дозволяйте рідині

попасти всередину інструмента та ніколи не занурюйте деталі інструмента в рідину.

Акумулятор

Важливі інструкції з техніки безпеки для різних типів акумуляторів

При замовленні змінних акумуляторів не забудьте вказати номер за каталогом та напругу.

Новий акумулятор заряджений не повністю. Перед використанням акумулятора та зарядного пристрою прочитайте всі нижче наведені інструкції з техніки безпеки. Після цього виконайте всі вказані пункти процедури зарядки.

ПРОЧИТАЙТЕ ВСІ ІНСТРУКЦІЇ

- **Не заряджайте та не використовуйте акумулятор у вибухонебезпечних умовах, наприклад в присутності легкозаймистих рідин, газів або пилу.** Під час встановлення або виймання батареї з зарядного пристрою може спалахнути пил або пара.
- **Не прикладайте зусилля, вставляючи акумулятор в зарядний пристрій. Жодним чином не модифікуйте акумулятор, аби встановити його в несумісний зарядний пристрій, адже акумулятор може розірватися та спричинити серйозні травми.**
- Використовуйте тільки зарядні пристрої DEWALT для заряджання акумуляторів.
- **НЕ занурюйте акумулятор у воду та інші рідини та не бризкайте на нього.**
- **Не зберігайте та не використовуйте інструмент та акумулятор у місцях, де температура може сягати або перевищувати 40 °C (104 °F) (наприклад, біля гаражів або металевих будівель влітку).**
- **Не спалюйте акумулятор, навіть якщо він сильно пошкоджений або повністю зношений.** Акумулятор може вибухнути у вогні. Коли літій-іонні акумулятори горять, утворюються токсичні випаровування та речовини.
- **Якщо вміст акумулятора потрапив на шкіру, негайно промийте це місце м'яким милом та водою.** Якщо рідина з акумулятора потрапила в очі, промийте відкрите око протягом 15 хвилин або доки подразнення не зникне. Якщо необхідно звернутися до лікаря, акумуляторний електродит складається з суміші рідких органічних вуглекислих солей та солей літію.
- **Вміст відкритого акумулятора може спричинити подразнення дихальних шляхів.** Вийдіть на свіже повітря. Якщо симптоми не зникнуть, зверніться до лікаря.



ПОПЕРЕДЖЕННЯ: Небезпека опіку. Рідина з акумулятора може спалахнути, якщо на неї потрапить іскра або полум'я.



ПОПЕРЕДЖЕННЯ: За жодних умов не намагайтесь відкрити акумулятор. За будь-якого пошкодження акумулятора не встановлюйте його у зарядний пристрій. Не бийте, не кидайте та не пошкоджуйте

акумулятор. Не використовуйте акумулятор та зарядні пристрій, якщо ті отримали різкий удар, впали або були пошкоджені іншим чином (наприклад, були проколоті цвяхом, вдарені молотком, на них наступили). Це може призвести до ураження електричним струмом. Пошкоджені акумулятори необхідно повернути до сервісного центру для переробки.



ПОПЕРЕДЖЕННЯ: Небезпека виникнення пожежі.
Зберігайте та переносьте акумулятор так, щоб металеві предмети не торкалися його відкритих контактів. Наприклад, не кладіть акумулятор у фартух, кишені, ящики з інструментами, коробки з наборами приладдя, шухляди тощо, де можуть бути цвяхи, гвинти, ключі тощо.



УВАГА: Коли інструмент не використовується, залишайте його на боці на стабільній поверхні в такому місці, де через нього не можна перечепитися та впасти. Деякі інструменти з великими акумуляторами можуть стояти на батареї, але їх можна легко перекинути.

Транспортування



ПОПЕРЕДЖЕННЯ: Небезпека виникнення пожежі. Під час перевезення акумуляторів може виникнути пожежа, якщо контакти акумулятора виладково увійдуть в контакт з електропровідним матеріалом. Під час перевезення акумуляторів переконайтесь, що їхні контакти захищені та добре ізольовані від матеріалів, які можуть увійти з ними в контакт та викликати коротке замикання.

ПРИМІТКА: При перевезенні літій-іонних акумуляторів не можна здавати їх в багаж.

Акумулятори DeWALT відповідають всім нормам перевезення, описаним у галузевих та законодавчих положеннях, включно з рекомендаціями ООН про перевезення небезпечних вантажів, правилами перевезення небезпечних вантажів Міжнародної організації повітряного транспорту (IATA), міжнародними правилами перевезення небезпечних вантажів водним транспортом (IMDG) та Європейській угоді про міжнародне дорожнє перевезення небезпечних вантажів (ADR). Літій-іонні елементи живлення та акумулятори були перевірені відповідно до розділу 38.3 керівництва з тестів та критеріїв щодо перевезення небезпечних вантажів Рекомендацій ООН.

У більшості випадків перевезення акумуляторів DeWALT може не класифікуватися як перевезення небезпечних речовин, що підпадають під клас 9. Загалом тільки вантажі, що містять літій-іонні акумулятори ємністю більше за 100 ват-годин (Вт-год.), вимагають транспортування відповідно до норм перевезення небезпечних речовин, що повністю підпадають під Клас 9. На всі літій-іонні акумулятори нанесено значення ват-годин. Крім того, через складність законодавчих норм компанія DeWALT не рекомендує транспортування окремо літій-іонних акумуляторів повітряним транспортом, незалежно

від показника ват-годин. Перевезення інструментів з акумуляторами (у комплекті) можна виконувати повітряним транспортом, якщо значення ват-годин не перевищує 100 Вт-год.

Незалежно від того, чи вантаж вважається виключеним або повністю регламентованим, вантажовідправник несе відповідальність за відповідність останнім нормам щодо вимог до упаковки, етикеток/маркування та документації. Інформація, що наводиться у цьому розділі керівництва, сумлінно перевірена та вважається дійсною на момент складання документації. Проте чинні нормативи можуть підлягати змінам. Покупець несе відповідальність за те, щоб його дії відповідали певним нормам.

Рекомендації щодо зберігання

1. Найкращим місцем для зберігання інструмента є прохолодне сухе місце, куди не потрапляють прямі сонячні промені та немає доступу тепла та холоду. Для оптимальної продуктивності та терміну служби батарей зберігайте їх за кімнатної температури, коли вони не використовуються.
2. При тривалому зберіганні для оптимального результату рекомендується помістити повністю заряджений акумулятор у сухе прохолодне місце поза зарядним пристроєм.

ПРИМІТКА: Не рекомендується зберігати акумулятор повністю розрядженим. Акумулятор потрібно перезарядити перед використанням.

Етикетки на зарядному пристрої та акумуляторі

Крім символів, що використовуються у цьому керівництві, етикетки на зарядному пристрої та акумуляторі можуть містити наведені нижче позначки.



Прочитайте інструкції цього керівництва перед використанням.



Див. розділ «Технічні дані» щодо часу зарядки.



Не торкайтеся електропровідними предметами.



Не заряджайте пошкоджені акумулятори.



Не піддавайте впливу води.



Негайно замінійте пошкоджений дрот живлення.



Заряджайте акумулятор за температури 4–40 °C.



Лише для використання в приміщенні.



Утилізуйте акумулятори з належною турботою про навколишнє середовище.



Заряджайте акумулятори DEWALT лише за допомогою спеціальних зарядних пристроїв DEWALT. Зарядка інших акумуляторних батарей, ніж призначені DEWALT, у зарядному пристрої DEWALT може призвести до їх вибуху або інших небезпечних ситуацій.



Не спляйте акумулятори.

Тип акумулятора

Пристрій DCMWP500 працює від акумулятора DeWALT з напругою 54 вольт.

Для експлуатації придатні акумулятори наступних моделей: DCB546, DCB547, DCB547G, DCB548, DCB549. Див. додаткову інформацію у розділі **Технічні дані**.

Комплект поставки

До комплекту входить:

- 1 Газонокосарка
- 1 Травозбірник
- 1 Боковий вихідний жолоб
- 1 Захисний ключ
- 1 Керівництво з експлуатації

ПРИМІТКА. Акумулятори, зарядні пристрої та коробки для зберігання не входять до комплекту моделей N. Акумулятори та зарядні пристрої не входять до комплекту моделей NT. Моделі V включають акумулятори для приладів з підтримкою Bluetooth®.

ПРИМІТКА. Текстовий знак та логотипи Bluetooth® є зареєстрованими товарними знаками, що належать компанії Bluetooth®, SIG, Inc. Будь-яке використання таких знаків компанією DEWALT здійснюється згідно з ліцензією. Інші торгові марки й торгові назви належать відповідним власникам.

- *Перевірте інструмент, деталі та приладдя на пошкодження, що могли виникнути під час транспортування.*
- *Перед використанням уважно прочитайте та повністю зрозумійте це керівництво.*

Маркування на інструменті

На інструменті є такі піктограми:



Прочитайте інструкції цього посібника перед використанням.



В Директиві 2000/14/ЕС вказана гарантована звукова потужність.



Не залишайте інструмент під дощем.



Не розпилюйте воду на інструмент.



Завжди використовуйте засоби захисту органів зору.



Завжди використовуйте засоби захисту органів слуху.



Пам'ятайте про те, що леза є гострими.



Щоб уникнути ризику отримання серйозних тілесних ушкоджень, не косіть на схилах під кутом більше 15°/25%.



Не косіть на схилах униз.



Не косіть на схилах угору.



Завжди косіть поперек схилів під кутом менше 15°/25%.



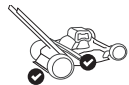
Завжди дивіться вниз та назад, перед та під час пересування назад.



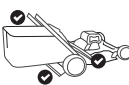
Забороняється експлуатувати машину без встановленої задньої заслінки або заднього бокового вихідного жолоба.



Обов'язково працюйте зі встановленою задньою заслінкою та заднім боковим вихідним жолобом.



Обов'язково працюйте зі встановленою задньою заслінкою та травозбірником.





Завжди оглядайте робочу ділянку перед скошуванням та прибирайте предмети, на які може наскочити лезо.

Леза, що обертаються, можуть спричинити серйозні травми. Завжди тримайте руки та ноги подалі від деки газонокосарки та отвору викидання трави. Завжди перевіряйте, що лезо зупинилося. Відпустіть ручку-дужку, щоб вимкнути газонокосарку і почекайте, поки лезо перестане обертатися (приблизно 3 секунди), після чого витягніть захисний ключ і акумулятор перед зніманням та заміною травозбірника, очищенням, обслуговуванням, транспортуванням або підняттям газонокосарки.



Вимкніть газонокосарку і почекайте, поки лезо перестане обертатися (приблизно 3 секунди), після чого вийміть захисний ключ і акумулятор перед очищенням, обслуговуванням, транспортуванням або підняттям газонокосарки.



Предмети, на які натрапляють леза газонокосарки, можуть спричинити серйозні травми. Знаходьтеся за рукояткою, коли двигун працює. Завжди стежте за тим, щоб люди і тварини перебували на безпечній відстані від газонокосарки під час її роботи. Відпустіть ручку-дужку, щоб вимкнути газонокосарку і почекайте, поки лезо перестане обертатися (приблизно 3 секунди), перш ніж перетинати пішохідні зони, дороги, тераси і гравійні доріжки.



Тримайте дітей та сторонніх спостерігачів подалі під час роботи газонокосарки.

Розташування коду дати (рис. Е)

Код дати виробництва **61** складається із 4 цифр року, за якими йдуть 2 цифри тижня і додатково 2 цифри коду підприємства.

Опис (рис. А)



ПОПЕРЕДЖЕННЯ. Ніколи не модифікуйте електричні інструменти та їх деталі. Це може призвести до пошкодження майна або тілесних ушкоджень.

- 1 Натискна рукоятка
- 2 Опора рукоятки
- 3 Кнопка розблокування рукоятки
- 4 Основна рукоятка
- 5 Кнопка відпускання рукоятки
- 6 Захисний ключ
- 7 Блок перемикачів.
- 8 Ручка-дужка
- 9 Важіль самохідного приводу (лише для моделі DCMWSP550)
- 10 Селектор регулювання швидкості (лише для моделі DCMWSP550)
- 11 Кнопка живлення
- 12 Панель управління
- 13 Індикатор перегріву
- 14 Індикатор вимірювача різального навантаження
- 15 Індикатор складання рукоятки
- 16 Індикатор загострення леза
- 17 Кнопка скидання леза
- 18 Індикатор стану заряду
- 19 Кришка акумуляторного відсіку
- 20 Важіль регулювання висоти скошування
- 21 Задня кришка
- 22 Травозбірник
- 23 Ручка травозбірника
- 24 Вставка для мульчування
- 25 Задній боковий вихідний жолоб

Сфера застосування

Ця газонокосарка призначена для професійного косіння газонів.

НЕ використовуйте за умов підвищеної вологості або в присутності легкозаймистих рідин та газів.

Ця газонокосарка є професійним інструментом для догляду за газоном.

НЕ дозволяйте дітям торкатися інструмента. Використання інструмента недосвідченими операторами потребує нагляду.

- **Діти та люди з обмеженими можливостями.** Цей інструмент не призначений для використання дітьми та особами з обмеженими розумовими та фізичними можливостями без стороннього контролю.
- Цей інструмент не призначений для використання особами (включаючи дітей) зі зниженими фізичними,

сенсорними або розумовими можливостями або особами, яким бракує досвіду або знань за винятком випадків, коли такі особи працюють під наглядом особи, яка несе відповідальність за їх безпеку. Не можна залишати дитей наодинці з цим інструментом.

МОНТАЖ ТА НАЛАШТУВАННЯ

⚠ НЕБЕЗПЕЧНО! Щоб знизити ризик отримання серйозних тілесних ушкоджень, вимикайте інструмент та виймайте захисний ключ і акумулятор перед виконанням будь-яких налаштувань або змінняям/встановленням насадок або приладдя. Випадковий запуск може призвести до травм.

Регулювання натискної рукоятки (Рис. D, E)

Газонокосарка постачається в положенні зберігання. Перед продовженням роботи необхідно перевести натискну рукоятку 1 в робоче положення.

Підняття натискної рукоятки (Рис. D, E)

- Щоб вивільнити натискну рукоятку 1 з положення зберігання, натисніть кнопку розблокування рукоятки 3.
ПРИМІТКА. Кнопка розблокування рукоятки 3 розташована на задній частині опори рукоятки 2.
ПРИМІТКА. Основна рукоятка 4 повинна злегка виступати з обох боків від трубок рукоятки, щоб вивільнити натискну рукоятку 1 з положення зберігання, як показано на Рис. D.
- Підніміть натискну рукоятку 1 в фіксоване робоче положення. Дочекайтеся характерного клацання і переконайтеся, що натискна рукоятка 1 зафіксована в робочому положенні, перш ніж продовжувати.
- Висуньте основну рукоятку 4 назовні до характерного клацання. Тепер натискна рукоятка 1 знаходиться в робочому положенні.
ПРИМІТКА. Не перетискайте, не смийкайте та не навантажуйте шнур 28 в будь-який інший спосіб.

Регулювання висоти основної рукоятки (Рис. F)

Основна рукоятка 4 висувається, щоб забезпечити зручність для високих користувачів.

- Щоб висунути основну рукоятку 4 в нижнє положення, натисніть кнопку відпускання рукоятки 5 і потягніть основну рукоятку від опори рукоятки 2 до характерного клацання, що свідчить про фіксацію рукоятки в нижньому положенні.
ПРИМІТКА. Кнопка відпускання рукоятки 5 розташована на нижній частині опори рукоятки 2.
- Щоб висунути основну рукоятку 4 в верхнє положення, натисніть кнопку відпускання рукоятки 5 і потягніть основну рукоятку від опори рукоятки 2 до характерного клацання, що свідчить про фіксацію рукоятки в верхньому положенні.
- Переконайтеся, що основна рукоятка 4 зафіксована в робочому положенні, перш ніж продовжувати.
ПРИМІТКА. Після встановлення акумулятора 26 та захисного ключа 6 і після витягування ручки-дужки 8

загориться індикатор складання рукоятки 15, якщо натискна рукоятка 1 не зафіксована в робочому положенні.

- Щоб повернути основну рукоятку 4 в нижнє положення, натисніть кнопку відпускання рукоятки 5 і потягніть основну рукоятку 4 до опори рукоятки 2 до характерного клацання, що свідчить про фіксацію рукоятки в нижньому положенні.
- Переконайтеся, що основна рукоятка 4 зафіксована в робочому положенні, перш ніж продовжувати.

Режим зберігання (Рис. G-L)

⚠ НЕБЕЗПЕЧНО! ПЕРЕД ВСТАНОВЛЕННЯМ ТА ЗМІННЯМ АКУМУЛЯТОРА ПЕРЕКОНАЙТЕСЬ, ЩО ЗАХИСНИЙ КЛЮЧ ВИЙНЯТО, ЩОБ УНИКНУТИ ВИПАДКОВОГО ЗАПУСКУ.

⚠ НЕБЕЗПЕЧНО! Вимкніть інструмент та вийміть захисний ключ і акумулятор.

- Щоб скласти основну рукоятку 4, натисніть кнопку відпускання рукоятки 5 і потягніть основну рукоятку 4 до опори рукоятки 2 до характерного клацання, що свідчить про фіксацію рукоятки в робочому положенні. Основна рукоятка 4 повинна бути щільно притиснута до опори рукоятки.
ПРИМІТКА. Основна рукоятка 4 має повністю входити у прорізи рукоятки 29. Якщо вони не зафіксовані, як показано на рис. G, притисніть основну рукоятку 4 до опори рукоятки 2 до двох характерних клацань і доки прорізи рукоятки 29 не будуть з обох боків закриті, як показано на Рис. H.
- ПРИМІТКА.** Переконайтеся, що два фіксатори положення зберігання 30 на зворотній стороні трубок натискної рукоятки 1 виступають назовні, як показано на рис. J і лише після цього опустіть натискну рукоятку 1 в положення для зберігання.
- Складіть натискну рукоятку 1 в напрямку передніх коліс 32 у положення для зберігання. Дочекайтеся двох характерних клацань, які свідчатимуть про те, що обидва фіксатори положення зберігання 30 увійшли у відповідні отвори 31 як показано на рис. K.
- Переконайтеся, що натискна рукоятка 1 зафіксована в положенні зберігання, перш ніж продовжувати.
- Газонокосарку можна зберігати в вертикальному положенні, зі знятим травозбірником, або в горизонтальному положенні на колесах, як показано на рис. L.
ПРИМІТКА. Не перетискайте, не смийкайте та не навантажуйте шнур 28 в будь-який інший спосіб.

Травозбірник (рис. M)


⚠ НЕБЕЗПЕЧНО! Вимкніть інструмент та вийміть захисний ключ і акумулятор.

- Підніміть задню кришку 21, вийміть вставку для мультчування 24, після чого встановіть травозбірник 22 на газонокосарку таким чином, щоб виступи травозбірника 20 увійшли в отвори 39 на внутрішніх пластикових поверхнях кронштейнів ручок. Після чого

опустіть задню кришку **21**.


ПРИМІТКА. Зніміть задній боковий вихідний жолоб **25** (за наявності) і переконайтеся, що задня кришка **21** повністю піднята, перш ніж встановлювати травозбірник **22**.

Мульчування (рис. N)

 **НЕБЕЗПЕЧНО!** Вимкніть інструмент та вийміть захисний ключ і акумулятор.

- Для роботи газонокосарки в режимі мульчування зніміть травозбірник **22** або задній боковий вихідний жолоб **25**.
- Підніміть задню кришку **21** і повністю просуньте вставку для мульчування **24** в газонокосарку.
- Переконайтеся, що штифти **35** на вставці для мульчування **24** увійшли в отвори **36** на газонокосарці, як показано на Рис. N.
- Переконайтеся, що задня кришка **21** закрита.

Бокове розвантаження (рис. O)

 **НЕБЕЗПЕЧНО!** Вимкніть інструмент та вийміть захисний ключ і акумулятор.

- Для роботи газонокосарки в режимі бокового розвантаження вийміть травозбірник **22**.
ПРИМІТКА. Зніміть вставку для мульчування **24** за наявності.
- Підніміть задню кришку **21** і закріпіть задній боковий вихідний жолоб **25** на газонокосарці, вставивши його в відповідний отвір ліворуч, як показано на Рис. O.
- Опустіть задню кришку **21** і переконайтеся, що задній боковий вихідний жолоб **25** надійно зафіксовано, перш ніж увімкнути газонокосарку.

Регулювання висоти газонокосарки (рис. P)


Висота скошування регулюється за допомогою важеля регулювання висоти скошування **11**.

ПРИМІТКА. Якщо ви не впевнені, на якій висоті косити, починайте, встановивши передній і задній важелі регулювання висоти скошування **11** в найвищі положення, і регулюйте висоту за необхідністю.


Встановлення висоти скошування


- Витягніть важіль регулювання висоти скошування **11** із фіксувальної виймки **37**.
- Подайте важіль регулювання висоти скошування **11** у напрямку задньої частини газонокосарки, щоб збільшити висоту скошування.
- Подайте важіль регулювання висоти скошування **11** у напрямку передньої частини газонокосарки, щоб зменшити висоту скошування.
- Встановіть важіль регулювання висоти скошування **11** в одну із фіксувальних виймок **37**.

РЕЖИМ РОБОТИ

 **НЕБЕЗПЕЧНО!** Щоб знизити ризик отримання серйозних тілесних ушкоджень, **вимикайте інструмент та виймайте захисний ключ і акумулятор перед виконанням будь-яких налаштувань або зніманням/встановленням насадок або приладдя.** Випадковий запуск може призвести до травм.

Належне положення рук (рис. Q, R)

 **ПОПЕРЕДЖЕННЯ:** Щоб знизити ризик серйозних травм, **ЗАВЖДИ** правильно розташовуйте руки, як показано.

 **ПОПЕРЕДЖЕННЯ:** Щоб знизити ризик серйозних травм, **ЗАВЖДИ** надійно тримайте інструмент, щоб попередити випадкову віддачу.

DCMWP500


При правильному положенні рук необхідно обома руками тримати за основну рукоятку **4** та ручку-дужку **8**, як показано на рис. Q.


DCMWP550


При правильному положенні рук необхідно обома руками тримати за основну рукоятку **4** та ручку-дужку **8** одночасно, якщо інструмент не працює в самохідному режимі; і обома руками тримати за основну рукоятку, ручку-дужку та важіль самохідного приводу **9** одночасно, якщо інструмент працює в самохідному режимі, як показано на рис. R.


ПЕРЕД ПОЧАТКОМ РОБОТИ З ГАЗОКОСАРКОЮ ОЗНАЙОМТЕСЯ З ЦИМ ПОСІБНИКОМ З ЕКСПЛУАТАЦІЇ

Повний список компонентів наведено на рис. A на початку цього посібника. Зберігайте цей посібник для використання в майбутньому.

 **НЕБЕЗПЕЧНО!** *Леза рухаються і є гострими.* Забороняється використовувати газонокосарку в режимі мульчування, якщо задня кришка не закрита під дією натягу пружини, оскільки це може призвести до серйозних травм. Віднесіть газонокосарку в найближчий сервісний центр для ремонту.

 **НЕБЕЗПЕЧНО!** Забороняється використовувати газонокосарку, якщо рукоятка не зафіксована в робочому положенні.

 **НЕБЕЗПЕЧНО!** *Леза рухаються і є гострими.* Забороняється використовувати газонокосарку в режимі збору трави, якщо виступи травозбірника не розміщені належним чином на газонокосарці, а задня кришка не щільно прилягає до верхньої частини травозбірника, оскільки це може призвести до серйозних травм.

 **НЕБЕЗПЕЧНО!** *Леза рухаються і є гострими.* Забороняється використовувати газонокосарку в режимі бокового розвантаження, якщо задній

боковий вихідний жолоб не встановлений належним чином, а задня кришка не щільно прилягає до нього.



ПОПЕРЕДЖЕННЯ. Газонокосарка повинна працювати з рекомендованою швидкістю. Не перевантажуйте її.

Встановлення та виймання акумуляторів (рис. S)



НЕБЕЗПЕЧНО! ПЕРЕД ВСТАНОВЛЕННЯМ ТА ЗНИМАННЯМ АКУМУЛЯТОРА ПЕРЕКОНАЙТЕСЬ, ЩО ЗАХИСНИЙ КЛЮЧ ВІЙНЯТО, ЩОБ УНИКНУТИ ВИПАДКОВОГО ЗАПУСКУ.

У разі досягнення акумулятором критично високої температури газонокосарка вимкнеться, а індикатор перегріву **13** почне блимати. Це може бути спричинено скошуванням жорсткої трави. В такому випадку дайте акумулятору охолонуть і продовжуйте роботу з високою піднятою декою газонокосарки.

ПРИМІТКА. Для забезпечення найкращих результатів, перед використанням слід переконавшись, що акумулятор повністю заряджений.

Встановлення акумулятора

1. Підніміть і тримайте кришку акумуляторного відсіку **19**, щоб отримати доступ до акумуляторів **38**.
2. Вставте акумулятор **26** в акумуляторний відсік **38** до характерного клацання (рис. S).
ПРИМІТКА. Переконайтеся, що акумулятор вставлений належним чином і надійно зафіксований у відповідному положенні.
3. Закрийте кришку акумуляторного відсіку **19**. Перед запуском газонокосарки переконайтеся, що кришка акумуляторного відсіку повністю закрита.

Виймання акумулятора

1. Підніміть і тримайте кришку акумуляторного відсіку **19**, щоб отримати доступ до акумуляторів **38**.
2. Натисніть кнопку розблокування акумулятора **27** та витягніть акумулятор **26** із акумуляторного відсіку.

Акумулятори з індикатором рівня заряду (рис. C)

Деякі DEWALT акумулятори оснащені індикатором заряду з трьох зелених світлодіодів, що вказують рівень заряду акумулятора, що залишився.

Щоб увімкнути індикатор заряду, натисніть та утримуйте кнопку індикатора заряду **62**. Три зелені світлодіоди будуть горіти відповідним чином, відображуючи рівень заряду акумулятора. Коли рівень заряду акумулятора нижче відповідного ліміту, індикатор рівня заряду не горить, а акумулятор потрібно зарядити.

ПРИМІТКА. Індикатор рівня заряду показує лише рівень заряду, що залишився в акумуляторі. Він не показує функціональність інструмента, а його показники можуть змінюватись відповідно до комплекtnості інструмента, температури та способу застосування.

Захисний ключ (Рис. T)



НЕБЕЗПЕЧНО! Леза рухаються і є гострими.

З метою запобігання випадковому запуску або несанкціонованому використанню в конструкції акумуляторної газонокосарки передбачено знімний захисний ключ. Після виймання захисного ключа з газонокосарки вона буде повністю вимкнена.



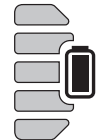
НЕБЕЗПЕЧНО! Леза, що обертаються, можуть спричинити серйозні травми. Щоб уникнути серйозних травм вимикайте інструмент та виймайте захисний ключ і акумулятор, коли газонокосарка знаходиться без нагляду або при її зарядці, очищенні, обслуговуванні, транспортуванні, підйомі або зберіганні.

1. Вставте захисний ключ **6** у відповідний отвір **50** на головній рукоятці **4** до кінця **50**, як показано на рис. T.
2. Тепер газонокосарка готова до роботи.

Світлодіодні індикатори панелі приладів (рис. A, U)

На панелі управління **12** розташовані індикатор стану заряду, індикатор вимірювача навантаження, індикатор температури, індикатор складання рукоятки, індикатор загострення леза і кнопка скидання.

Індикатор стану заряду (рис. U)





Моделі DCMWSP500 та DCMWSP550 оснащено індикаторами стану заряду. Вони відображають поточний рівень заряду акумулятора в процесі роботи. Індикатор не показує функціональність інструмента, а його показники можуть змінюватись відповідно до комплекtnості інструмента, температури та способу застосування.

- Світлодіодні індикатори стану заряду **18** горять, вказуючи відсоток заряду акумулятора.
- Якщо горять всі 5 світлодіодних індикаторів стану заряду **18**, це означає, що акумулятор повністю заряджений.
- Якщо горить один світлодіодний індикатор стану заряду **18**, це означає низький рівень заряду, після розрядження акумулятора він блиматиме. Зніміть акумулятор та зарядіть його.

Світлодіодний індикатор стану заряду

	РІВЕНЬ ЗАРЯДУ	КОЛІР СВІТЛОДІОДНОГО ІНДИКАТОРА СТАНУ ЗАРЯДУ
	100%–85%	Білий
	70%–85%	Білий

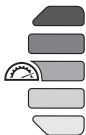
РІВЕНЬ ЗАРЯДУ	КОЛІР СВІТЛОДІОДНОГО ІНДИКАТОРА СТАНУ ЗАРЯДУ
 50%–70%	Білий
 25%–50%	Білий
 ≤25%	Білий
 Вимкнення через низький рівень заряду акумулятора	Білий і блимає

Індикатор складання рукоятки (рис. U)



Індикатор складання рукоятки **15** горітиме, якщо натискна рукоятка **1** не зафіксована в робочому положенні, при цьому захисний ключ **6** і акумулятор **26** встановлено, а ручку-дужку **8** витягнуто. Інструкції з відключення індикатора складання рукоятки **15** див. у розділі «Підняття натискної рукоятки» в цьому посібнику.

Індикатор вимірювача різального навантаження (рис. U)



В процесі скошування індикатор вимірювача різального навантаження **14** горітиме білим, жовтим або червоним.

- Білий свідчить про низьке різальне навантаження.
- Жовтий свідчить про середнє різальне навантаження.
- Червоний свідчить про високе різальне навантаження. Тривале високе навантаження під час скошування призведе до скорочення ресурсу роботи інструмента.

Індикатор перегріву (рис. U)



- У разі перевантаження акумулятора або двигуна під час роботи індикатор перегріву **13** загориться жовтим, а потім почне блимати.
- У разі досягнення модулем високої температури індикатор перегріву **13** загориться червоним, а потім почне блимати.
- Щоб відключити індикатор перегріву **13**, дайте акумулятору та газонокосарці охолонути. Після

охладження перезапустіть газонокосарку і продовжуйте роботу з високо піднятою декою газонокосарки.

Індикатор загострення леза (рис. U)



Індикатор загострення леза **16** горить, коли леза потребують обслуговування. Загостріть або замініть леза, див. розділ **Загострення леза** в цьому посібнику.

Кнопка скидання леза (рис. U)



ПРИМІТКА. Перш ніж виконати скидання, переконайтеся, що акумулятор **26** і захисний ключ **6** встановлені належним чином.

Щоб відключити індикатор загострення леза **16**, увімкніть панель світлодіодних індикаторів **12**, витягнувши і притиснувши ручку-дужку **8** до основної рукоятки **4**. Натисніть і утримуйте кнопку скидання леза **17**, доки індикатор загострення леза **16** не вимкнеться.

Запуск газонокосарки (рис. Q-T)



НЕБЕЗПЕЧНО! Леза рухаються і є гострими. Ніколи не намагайтесь змінювати спосіб використання цього блоку перемикачів та системи захисного ключа, тому що це може призвести до серйозних травм.



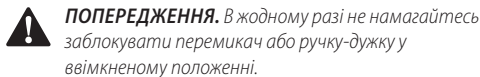
ПОПЕРЕДЖЕННЯ. Перед запуском газонокосарки переконайтеся, що самохідний привід відключений.

ПРИМІТКА. Газонокосарка працює, якщо акумулятор **26** і захисний ключ **6** встановлені належним чином.

1. Підніміть і тримайте кришку акумуляторного відсіку **19**, щоб отримати доступ до акумуляторів **38**.
2. Вставте акумулятор **26** в акумуляторний відсік **38** до характерного клацання.
ПРИМІТКА. Перед запуском газонокосарки переконайтеся, що акумулятор вставлений належним чином і надійно зафіксований у відповідному положенні.
3. Закрийте кришку акумуляторного відсіку **19**. Перед запуском газонокосарки переконайтеся, що кришка акумуляторного відсіку **19** повністю закрита.
4. Вставте захисний ключ **6** у відповідний отвір **50** на головній рукоятці **4** до кінця **50**, як показано на рис. Т.
5. Щоб увімкнути панель світлодіодних індикаторів **12**, витягніть і притисніть ручку-дужку **8** до основної рукоятки **4**.
6. Щоб запустити леза газонокосарки, утримуйте ручку-дужку **8** притиснутою до основної рукоятки **4** і натисніть кнопку живлення **11**.

ПРИМІТКА. Після запуску газонокосарки можна відпустити кнопку живлення **11**, але необхідно утримувати ручку-дужку **8** на основній рукоятці **4** для продовження роботи.

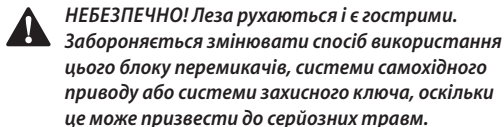
7. Щоб ВИМКНУТИ газонокосарку, просто відпустіть ручку-дужку **8**.



ПРИМІТКА. Коли ручка-дужка **8** повертається у вихідне положення, вона активує «Механізм автоматичного гальмування». Двигун буде загальмований, а лезо газонокосарки перестане обертатися через три секунди або навіть менше. Якщо лезо газонокосарки обертатися більше трьох секунд, припиніть її використання та проведіть технічне обслуговування.

DCMWS550 ВИКЛЮЧНО

Система самохідного приводу (рис. V)



Ця газонокосарка DCMWS550 обладнана системою самохідного приводу, що функціонує незалежно від лез.

1. Щоб задіяти самохідний привід, притисніть важіль самохідного приводу **9** до основної рукоятки **4**.
2. Щоб вимкнути самохідний привід, відпустіть важіль самохідного приводу **9**.

ПРИМІТКА. В процесі скошування буває легше керувати газонокосаркою біля таких предметів, як дерева або інші рослини, коли самохідний привід вимкнений. Газонокосарку можна використовувати із вимкненим самохідним приводом.

DCMWS550 ВИКЛЮЧНО

Селектор регулювання швидкості (рис. W)

Ця DCMWS550 газонокосарка оснащена селектором регулювання швидкості **10**, розташованим біля панелі управління **12**. Цифри на селекторі регулювання швидкості **10** показують, як швидко або повільно система самохідного приводу приводить в рух газонокосарку. Вибір меншого числа призведе до зменшення швидкості роботи газонокосарки. Вибір більшого числа призведе до збільшення швидкості роботи газонокосарки.

1. Щоб збільшити швидкість системи самохідного приводу, поверніть селектор регулювання швидкості **10** до піктограми у вигляді кролика **40**.

ПРИМІТКА. На селекторі регулювання швидкості **10** відобразиться більше число.

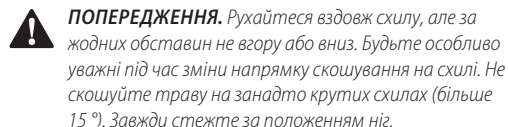
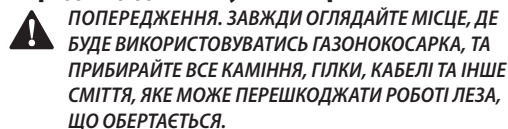
2. Щоб зменшити швидкість системи самохідного приводу, поверніть селектор регулювання швидкості **10** до піктограми у вигляді черепахи **41**.

ПРИМІТКА. На селекторі регулювання швидкості **10** відобразиться менше число.

Перевантаження газонокосарки

Щоб уникнути пошкодження через перевантаження газонокосарки, не скошуйте занадто багато трави за раз. Сповільніть швидкість скошування або підніміть висоту відрізання.

Поради щодо скошування (рис. T)



- Відпустіть ручку-дужку **8**, щоб вимкнути газонокосарку при переході через засипані гравієм доріжки (каміння може бути відкинута лезами).
- Встановіть найбільше значення висоти скошування, коли необхідно скосити нерівну поверхню або високі бур'яни. Скошування занадто великої частини трави за один раз може призвести до перевантаження двигуна та його зупинки.
- Якщо під час скошування використовується травозбірник **22** в період швидкого росту трави, трава може накопичуватися біля отвору викидання трави. Відпустіть ручку-дужку, щоб вимкнути газонокосарку, витягніть захисний ключ **6** та акумулятор **26**. Зніміть травозбірник **22** та струсьте траву в його задню частину. Також приберіть траву або сміття біля отвору викидання трави. Встановіть на місце травозбірник **22**.
- Якщо газонокосарка почне аномально вібрувати, відпустіть ручку-дужку, щоб її вимкнути, витягніть захисний ключ та акумулятор. негайно з'ясуйте причину. Вібрація є попередженням про проблему. Не використовуйте газонокосарку до її перевірки.
- Для досягнення найкращих результатів скошування зберігайте леза гострими та збалансованими.
- Оглядайте та ретельно очищайте газонокосарку після кожного використання. Дека зі злиплою травою знижує продуктивність.
- Завжди відпускайте ручку-дужку, щоб вимкнути газонокосарку, та витягайте захисний ключ і акумулятор, якщо газонокосарка залишається без нагляду протягом певного часу.

Наступні рекомендації допоможуть отримати оптимальну продуктивність та термін роботи акумуляторної газонокосарки:

- Уповільнюйте скошування в місцях, де трава особливо висока та густа.
- Уникайте скошування, коли трава мокра від дощу або просочена росою.

- Часто підстригайте газон, особливо під час періодів швидкого зростання.

ПРИМІТКА. Рекомендується заряджати акумулятори після кожного використання для продовження терміну їх служби. Часте заряджання не зашкодить акумулятору і забезпечить його повний заряд і готовність до наступного використання.

ПРИМІТКА. Зберігання не повністю заряджених акумуляторів скорочує термін їх служби.

ТЕХНІЧНЕ ОБСЛУГОВУВАННЯ

Цей інструмент призначений для роботи упродовж тривалого часу з мінімальним обслуговуванням. Довга задовільна робота інструмента залежить від його належного обслуговування та регулярного очищення.

⚠ НЕБЕЗПЕЧНО! Щоб знизити ризик отримання серйозних тілесних ушкоджень, **вимикайте інструмент та виймайте захисний ключ і акумулятор перед виконанням будь-яких налаштувань або зніманням/встановленням насадок або приладдя.** Випадковий запуск може призвести до травм.

Зарядний пристрій та акумулятор не вимагають обслуговування.

Додаткові аксесуари

⚠ ПОПЕРЕДЖЕННЯ: Оскільки інше приладдя, що не зазначене виробником DEWALT, не перевірялося з цим пристроєм, його використання з інструментом може бути небезпечним. Необхідно використовувати лише рекомендовані DEWALT приладдя з цим пристроєм, щоб знизити ризик отримання травми.

Зверніться до свого дилера для отримання подальшої інформації щодо відповідного приладдя.

Зняття та встановлення лез (Рис. X—DD)

⚠ НЕБЕЗПЕЧНО! РИЗИК ТРАВМИ. ПРИ ПОВТОРНИЙ ЗБІРЦІ РІЗАЛЬНОЇ СИСТЕМИ ПЕРЕКОНАЙТЕСЯ, ЩО КОЖНА ДЕТАЛЬ ВСТАНОВЛЕНА ПРАВИЛЬНО, ЯК ОПИСАНО НИЖЧЕ. НЕВІРНИЙ МОНТАЖ ЛЕЗА АБО ІНШИХ ДЕТАЛЕЙ РІЗАЛЬНОЇ СИСТЕМИ МОЖЕ СПРИЧИНИТИ СЕРЙОЗНУ ТРАВМУ.

⚠ НЕБЕЗПЕЧНО! Щоб знизити ризик отримання серйозних тілесних ушкоджень, **вимикайте інструмент та виймайте захисний ключ і акумулятор перед виконанням будь-яких налаштувань або зніманням/встановленням насадок або приладдя.** Випадковий запуск може призвести до травм.

Змінні леза доступні в офіційному сервісному центрі.

Для цієї газонокосарки необхідні змінні леза: DT20902.

Відріжте шматок дерева розміром 38 мм x 89 мм **42** (довжиною приблизно 61 см), щоб леза не поверталися при знятті болта кріплення леза **43**.

⚠ ПОПЕРЕДЖЕННЯ. Використовуйте захисні рукавиці та відповідні засоби захисту очей. Поверніть

газонокосарку на бік. *Будьте обережні з гострими кромками лез.*

1. Поверніть газонокосарку на бік таким чином, щоб два колеса стояли на землі.
 2. Покладіть шматок дерева розміром 38 мм x 89 мм **42** між болтом леза **47** і зовнішньою кромкою деки, як показано на Рис. X, щоб леза не поверталися.
 3. Викрутіть і зніміть болт кріплення леза **43** проти годинникової стрілки за допомогою 14 мм (9/16") гайкового ключа **44** (не входить до комплекту постачання), як показано на Рис. X, Y.
 4. Зніміть розпірну втулку під шпонку **45** та лезо **47** з вала-тримача леза **49**.
 5. Закріпіть лезо **47** у лещатах **34**, як показано на Рис. Z.
 6. Відкрутіть чотири гайки кріплення леза **51** проти годинникової стрілки за допомогою 14 мм (9/16") гайкового ключа **44** (не входить до комплекту постачання), як показано на Рис. Z. Спочатку відкрутіть дві гайки кріплення **51** леза **1 52** і зніміть лезо **1**. Потім відкрутіть дві гайки кріплення **51** леза **2 53** і витягніть лезо **2** з адаптера **48**.
- ПРИМІТКА.** Леза газонокосарки **52** та **53** мають монтажні отвори під шпонки **55**, тому їх можна встановити на адаптер леза **48** виключно у правильному положенні.
7. Перевірте усі деталі на наявність пошкоджень і замініть їх за необхідності.
 8. Встановіть загострене або нове лезо на адаптер леза **48**, як показано на рис. AA, BB.
 9. Першим встановлюють лезо **2 53**, при цьому отвори під болти необхідно вирівняти з зовнішніми шпильками кріплення леза **56** та монтажним отвором під шпонку **55** на адаптері леза **48**, як показано на рис. AA.
- ПРИМІТКА.** Переконайтеся, що в монтажний отвір під шпонку **55** вставлена шпонка **57** на адаптері леза **48**, як показано на Рис. AA. Ця шпонка **57** повинна виступати за лезо **2 53**.
10. Другим встановлюють лезо **1 52**, при цьому отвори під болти необхідно вирівняти з внутрішніми шпильками кріплення леза **58** та монтажним отвором під шпонку **55** на адаптері леза **48**, як показано на Рис. BB.
- ПРИМІТКА.** Переконайтеся, що в монтажний отвір під шпонку **55** вставлена шпонка **57** на адаптері леза **48**, і вони знаходяться на одному рівні, як показано на рис. BB.
- ПРИМІТКА.** Якщо лезо **1 52** не знаходиться на одному рівні зі шпонкою **57** на адаптері леза **48**, то леза були встановлені в неправильному порядку і мають бути переставлені.
11. Накрутіть чотири гайки кріплення леза **51** на шпильки кріплення леза **56** та **58**, як показано на рис. AA, BB. Вручну затягніть чотири гайки кріплення леза **51**.
- ПРИМІТКА.** При установці загостреного або нового леза на адаптер леза **48** переконайтеся, що нижня частина леза з маркуванням **Grass Side** буде звернена

до землі, коли газонокосарка повернеться в нормальне вертикальне положення.

12. Закріпіть лезо **47** у лещатах **34**. Затягніть чотири гайки кріплення леза **51** за годинниковою стрілкою за допомогою 14 mm (9/16") гайкового ключа 44 (не входить до комплекту постачання). Затягніть чотири гайки кріплення леза **51** з моментом затягування 18–27 Нм (13–20 футо-фунтів).
13. У такому порядку встановіть лезо **47** та розпірну втулку під шпонку **45** на вал-тримач леза **49**, як показано на рис. СС.
ПРИМІТКА. Вирівняйте шпонки **46** на розпірній втулці **45** з отворами під шпонки **60** на валу-тримачі леза **49**, як показано на рис. СС.
14. Встановіть болт кріплення леза **43** і затягніть вручну.
15. Покладіть шматок дерева розміром 38 мм x 89 мм **42** між болтом леза **47** і зовнішньою кромкою деки, як показано на рис. DD, щоб леза не поверталися.
16. Повністю затягніть болт кріплення леза **43** за допомогою 14 mm (9/16") гайкового ключа **44** (не входить до комплекту постачання). Затягніть болт кріплення леза **43** з моментом затягування 50–68 Нм (37–50 футо-фунтів).
17. Поверніть газонокосарку в нормальне вертикальне положення.

Загострення леза (Рис. EE)

ДЛЯ ОПТИМАЛЬНОЇ ПРОДУКТИВНОСТІ ГАЗОНОКОСАРКИ ТРИМАЙТЕ ЛЕЗО ГОСТРИМ. ТУПЕ ЛЕЗО НЕ ЗРІЗАТИМЕ ТРАВУ ЧИСТО.



ПОПЕРЕДЖЕННЯ. Використовуйте рукавиці та належні засоби захисту очей під час зняття, загострювання й встановлення леза. Впевніться, що захисний ключ та акумулятор вийняті.

Двічі загострюйте лезо протягом сезону скошування трави, цього має бути достатньо за нормальних умов використання. Пісок призводить до швидкого затуплення леза. Якщо ваш газон посаджений на піщаному ґрунті, необхідно загострювати лезо частіше. **НЕГАЙНО ЗАМІНІЙТЕ ЗІГНУТІ АБО ПОШКОДЖЕНІ ЛЕЗА.**

Загострення леза:

- Забезпечуйте належну збалансованість леза.
- Загострюйте лезо таким чином, щоб зберегти кут первісної різальної кромки.
- Загострюйте різальні кромки з обох кінців леза, знімаючи однакову кількість металу з кожного кінця.

Загострення леза в лещатах (рис. EE)

1. Перед зняттям лез переконайтесь, що леза зупинилися, ручка-дужка відпущена, захисний ключ і акумулятор вийнято.
2. Зніміть леза з газонокосарки. Дивіться інструкції із **Зняття та встановлення лез**.
3. Затисніть лезо **52** або **53** в лещатах **34**.
4. Використовуйте належні засоби захисту очей та рукавиці та будьте обережні, щоб не порізатись.

5. Ретельно загостріть різальну кромку леза дрібним напилком **54** (не входить до комплекту постачання) або точильним каменем (не входить до комплекту постачання), зберігаючи кут первісної різальної кромки.
6. Перевірте збалансованість леза. Дивіться інструкції в розділі **Збалансованість леза**.
7. Установіть леза на газонокосарці та надійно затягніть.

Збалансованість леза (Рис. EE, FF)

Перевірте збалансованість кожного леза **52** або **53**, вставивши в монтажний отвір під шпонку **55** цвях або викрутку з круглим жалом **59**, що закріплені в лещатах горизонтально **34**. Якщо один з кінців леза обертається донизу, зніміть метал вздовж гострої кромки сторони, яка нахилилась донизу. Лезо вважається належним чином збалансованим тоді, коли жоден з кінців не обертається донизу.

Очищення (Рис. A)



ПОПЕРЕДЖЕННЯ. Вивувайте бруд і пил з усіх вентиляційних отворів чистим сухим повітрям не рідше одного разу в тиждень. Щоб мінімізувати ризик отримання травм очей, завжди використовуйте сертифіковані засоби захисту органів зору та сертифіковану протипилову маску при виконанні цієї операції.



ПОПЕРЕДЖЕННЯ. Ніколи не використовуйте розчинники та інші агресивні хімічні засоби для очищення неметалевих деталей інструмента. Такі хімічні речовини можуть нанести шкоду пластиковим матеріалам, що використовуються в цих деталях. Використовуйте вологу ганчірку, змочену лише водою з м'яким милом. Не дозволяйте рідині потрапляти всередину інструмента та ніколи не занурюйте деталі інструмента в рідину.

- Відпустіть ручку-дужку **8**, щоб вимкнути газонокосарку і почекайте, поки леза перестануть обертатися.
- Витягніть акумулятор та захисний ключ.
- Очистіть нижню сторону газонокосарки від обрізків трави, які могли там накопичитись. Не розпилюйте воду або інші рідини.
- Після кількох використань перевіряйте затягнення всіх з'єднань.

Корозія (Рис. A)

Добрива та інші хімічні сполуки, що використовуються в саду, містять речовини, що можуть збільшити ймовірність корозії металу. Якщо ви скошуєте траву в місцях, де використовуються добрива та інші хімічні речовини, необхідно відразу після скошування очистити газонокосарку наступним чином:

Відпустіть ручку-дужку **8**, щоб вимкнути газонокосарку і витягніть акумулятор та захисний ключ. Протріть усі зовнішні поверхні вологою ганчіркою.



ОБЕРЕЖНО! Не виливайте і не розпилюйте воду на газонокосарку, намагаючись її очистити. Не

зберігайте інструмент у безпосередній близькості до добрив та інших хімічних речовин. Зберігання в таких умовах може спричинити швидку корозію.

Змащування

Ваш електричний інструмент не вимагає додаткового змащування.

Захист навколишнього середовища



Пристрої/акумулятори підлягають переробці, але якщо вони позначені знаком із перекресленим контейнером для сміття, їх не можна викидати зі звичайними побутовими відходами.

Повністю розрядьте акумулятори і витягніть їх з приладу, а також витягніть будь-які джерела світла за можливості.

Видалення будь-якої персональної інформації з виробу

є відповідальністю користувача. Потім доставте їх до офіційного центру збору відходів або до представника роздрібної торгівлі, який безкоштовно приймає участь у зборі відходів. Упакування має бути утилізованим відповідно до коду маркування матеріалу. Інструкції з експлуатації та техніки безпеки мають бути утилізованими після припинення використання виробу.

Дізнайтеся про місцеві/муніципальні рекомендації щодо поводження з відходами. Для додаткової інформації завітайте на сайт www.2helpU.com і відскануйте наведений вище QR-код.



Виробник:
"Stanley Black & Decker Deutschland GmbH" Black-&-Decker Str.40, D-65510 Idstein, Німеччина

ІНСТРУКЦІЇ ЩОДО ВИЯВЛЕННЯ ТА УСУНЕННЯ НЕСПРАВНОСТЕЙ



НЕБЕЗПЕЧНО! Щоб знизити ризик отримання серйозних тілесних ушкоджень, вимикайте інструмент та виймайте захисний ключ і акумулятор перед виконанням будь-яких налаштувань або зніманням/встановленням насадок або приладдя. Випадковий запуск може призвести до травм.

Щоб отримати допомогу щодо цього інструмента, зверніться до місцевого офіційного сервісного центру DEWALT.

ПРОБЛЕМА

РІШЕННЯ

Газонокосарка не працює при активації ручки-дужки.

Переконайтеся, що захисний ключ встановлений і повністю вставлений, а кнопка живлення натиснута.

Відпустіть ручку-дужку. Вимкніть живлення газонокосарки. Витягніть захисний ключ та акумулятор. Переверніть газонокосарку та перевірте, чи вільно обертаються леза.

Переконайтеся, що акумуляторний відсік вільний від сміття, а акумулятор правильно підключено.

Чи повністю заряджений акумулятор? Натисніть кнопку стану заряду.

Якщо горить індикатор складання рукоятки **15**, див. розділ **Підняття натискної рукоятки** в цьому посібнику.

Двигун зупиняється під час скошування трави

Відпустіть ручку-дужку. Вимкніть живлення газонокосарки. Витягніть захисний ключ та акумулятор. Переверніть газонокосарку та перевірте, чи вільно обертаються леза.

Відрегулюйте висоту коліс до максимально високого положення та ввімкніть газонокосарку.

Переконайтеся, що акумуляторний відсік вільний від сміття.

Чи повністю заряджений акумулятор? Натисніть кнопку стану заряду.

Уникайте перевантаження газонокосарки. Сповільніть швидкість скошування або підніміть висоту відрізання.

Якщо горить індикатор перегріву **13**, дайте акумулятору і газонокосарці охолонути. Після охолодження перезапустіть газонокосарку і продовжуйте роботу з високо піднятою декою газонокосарки.

Натискна рукоятка **1** не фіксується в положенні для зберігання.

Переконайтеся, що два фіксатори положення зберігання **30** в нижній частині трубок натискної рукоятки **1** виступають назовні, перш ніж опустити натискну рукоятку **1** в положення зберігання.

Основна рукоятка **4** має повністю входити у прорізи рукоятки **29**. Якщо вони не зафіксовані, як показано на Рис. G, притисніть основну рукоятку **4** до опори рукоятки **2**, до двох характерних клацань і доки прорізи рукоятки **29** не будуть з обох боків закриті, як показано на рис. H.

Самохідний привід зупиняється під час роботи

Вимкніть живлення самохідної газонокосарки.

Очистіть корпус самохідного приводу від сміття.

Перевірте, чи вільно обертаються колеса.

Газонокосарка працює, але продуктивність скошування є незадовільною або вона не стриже весь газон.	<p>Чи повністю заряджений акумулятор? Натисніть кнопку стану заряду.</p> <p>Відпустіть ручку-дужку, щоб вимкнути газонокосарку. Витягніть захисний ключ та акумулятор. Переверніть газонокосарку та перевірте наступне:</p> <ul style="list-style-type: none"> • Гострота лез – підтримуйте леза гострими. • Деку та вихідний жолоб на наявність засмічення. <p>Встановлена занадто мала висота коліс для даного стану газону. Підніміть висоту відрізання.</p> <p>Індикатор загострення леза 16 горить, коли леза потребують обслуговування. Загостріть або замініть леза, див. розділ Загострення леза в цьому посібнику.</p>
Газонокосарку важко пересувати.	<p>Відпустіть ручку-дужку, щоб вимкнути газонокосарку. Витягніть захисний ключ та акумулятор. Підніміть висоту зрізання, щоб зменшити волочіння днища по траві. Перевірте, чи вільно обертається кожне колесо.</p> <p>Якщо горить індикатор перегріву 13, дайте акумулятору і газонокосарці охолонути. Після охолодження перезапустіть газонокосарку і продовжуйте роботу з високо піднятою декою газонокосарки.</p>
Газонокосарка видає сильний шум та вібрує.	<p>Відпустіть ручку-дужку, щоб вимкнути газонокосарку. Витягніть захисний ключ та акумулятор. Переверніть газонокосарку на бік та переконайтеся, що лезо не погнуте і не пошкоджене. Скористайтеся замінним лезом DEWALT у разі пошкодження основного леза. Якщо пошкоджено нижню частину деки, поверніть газонокосарку в офіційний сервісний центр DEWALT .</p> <p>Якщо відсутні видимі пошкодження леза, але газонокосарка все ж вібрує: Відпустіть ручку-дужку, щоб вимкнути газонокосарку. Витягніть захисний ключ та акумулятор. Розберіть весь вузол леза відповідно до інструкцій в розділі Зняття та встановлення лез посібника. Приберіть сміття та очистіть кожну деталь. Замініть кожну деталь відповідно інструкцій в розділі Зняття та встановлення лез посібника. Якщо газонокосарка продовжує вібрувати, поверніть її в офіційний сервісний центр DEWALT .</p>
Газонокосарка не збирає скошену траву у травозбірник.	<p>Вихідний жолоб засмічений. Відпустіть ручку-дужку, щоб вимкнути газонокосарку. Витягніть захисний ключ та акумулятор. Очистіть вихідний жолоб від скошеної трави.</p> <p>Відрегулюйте висоту коліс, зменшуючи висоту відрізання.</p> <p>Травозбірник заповнений. Частіше очищуйте травозбірник.</p>

DEWALT

ГАРАНТІЙНИЙ ТАЛОН

**3 РОКИ
ГАРАНТІЇ**

1. Вітаємо Вас з покупкою високоякісного виробу DEWALT і висловлюємо вдячність за Ваш вибір.
2. При покупці виробу вимагайте перевірки його комплектності і справності у Вашій присутності, інструкцію з експлуатації та заповнений гарантійний талон українською мовою. В гарантійному талоні повинні бути внесені: модель, дата продажу, серійний номер, дата виробництва інструменту, назва, печатка і підпис торгової організації. За відсутності у Вас правильно заповненого гарантійного талону, а також при невідповідності зазначених у ньому даних ми будемо змушені відхилити Ваші претензії щодо якості даного виробу.
3. Щоб уникнути непорозумінь, переконливо просимо Вас перед початком роботи з виробом уважно ознайомитися з інструкцією з його експлуатації. Правовою основою справних гарантійних умов є чинне Законодавство. Гарантійний термін на даний виріб складає 36 місяці і обчислюється з дня продажу. У разі усунення недоліків виробу, гарантійний строк продовжується на період його перебування в ремонті. Термін служби виробу становить 5 років з дня продажу.
4. У разі виникнення будь-яких проблем у процесі експлуатації виробу рекомендуємо Вам звертатися тільки в уповноважені сервісні центри DEWALT, адреси та телефони яких Ви зможете знайти в гарантійному талоні, на сайті www.2helpU.com або дізнатися в магазині. Наші сервісні станції - це не тільки кваліфікований ремонт, але і широкий асортимент запчастин і аксесуарів.
5. Виробник рекомендує проводити періодичну перевірку і технічне обслуговування виробу в уповноважених сервісних центрах.
6. Наші гарантійні зобов'язання поширюються тільки на несправності, виявлені протягом гарантійного терміну і викликані дефектами виробництва та \ або матеріалів.
7. Гарантійні умови не поширюються на несправності виробу, що виникли в результаті:
 - 7.1. Недотримання користувачем приписів інструкції з експлуатації виробу, застосування виробу не за призначенням, неправильного зберігання, використання приладдя, витратних матеріалів і запчастин, що не передбачені виробником.
 - 7.2. Механічного пошкодження (відколи, тріщини і руйнування) внутрішніх і зовнішніх деталей виробу, основних і допоміжних рукояток, мережевого кабелю, що викликані зовнішнім ударним або будь-яким іншим впливом
 - 7.3. Поتراплення у вентиляційні отвори та проникнення всередину виробу сторонніх предметів, матеріалів або речовин, що не є відходами, які супроводжують застосування виробу за призначенням, такими як: стружка, тирса, пісок, тін.
 - 7.4. Впливу на виріб несприятливих атмосферних і інших зовнішніх факторів, таких як дощ, сніг, підвищена вологість, нагрівання, агресивне середовище, невідповідність параметрів електромережі, що зазначені на інструменті.
 - 7.5. Стихійного лиха. Пошкодження або втрати виробу, що пов'язані з непереборними лихами, стихійними явищами, у тому числі внаслідок дії непереборної сили (пожежа, блискавка, потоп і інші природні явища), а також внаслідок перепадів напруги в електромережі та іншими причинами, які знаходяться поза контролем виробника.
8. Гарантійні умови не поширюються:
 - 8.1. На інструменти, що піддавалися розкриттю, ремонту або модифікації поза уповноваженим сервісним центром.
 - 8.2. На деталі, вузли та матеріали, що мають сліди природного зносу, такі як: приводні ремені і колеса, вугільні щітки, мастило, підшипники, зубчасті зчеплення редукторів, гумові ущільнення, сальники, направляючі ролики, муфти, вимикачі, бойки, штовхачі, столи тощо.
 - 8.3. На змінні частини: патрони, цанги, затискні гайки і фланці, фільтри, ножі, шліфувальні підшви, ланцюги, зірочки, пильні шини, захисні кожухи, пилки, абразиви, пильні і абразивні диски, фрези, свердла, бури тощо
 - 8.4. На несправності, що виникли в результаті перевантаження інструменту (як механічного, так і електричного), що спричинили вихід з ладу одночасно двох і більше деталей і вузлів, таких як: ротора і статора, обох обмоток статора, веденої і ведучої шестерень редуктора або інших вузлів і деталей. До безумовних ознак перевантаження виробу відносяться, крім інших: поява кольорів мінливості, деформація або оплвлення деталей і вузлів виробу, потемніння або обуглювання ізоляції проводів електродвигуна під впливом високої температури.

Товар отриманий в справному стані, без видимих ушкоджень, в повній комплектатції, перевірений у моїй присутності, претензій щодо якості товару не маю. З умовами гарантійного обслуговування ознайомлений і згоден.

П. І. Б. та підпис власника _____

Шановні клієнти, наша мережа авторизованих сервісних центрів постійно розширюється. Актуальну інформацію про обслуговування в місті, що цікавить вас, ви можете дізнатися на сайті

www.2helpU.com

Інформація про інструмент

Найменування інструменту	
Модель	
Найменування продавця	
Дата продажу	

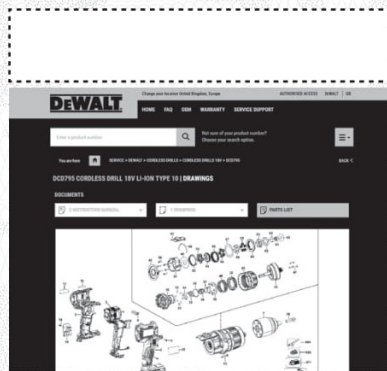
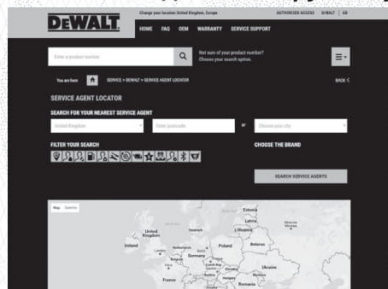
М.П.
Продавця

Серійний номер/Дата виробництва

Інструмент	
Зарядний пристрій	
Акумулятор 1	
Акумулятор 2	

На сайті www.2helpU.com доступні наступні функції:

- Список авторизованих сервісних центрів
- Зручний пошук найближчого сервісного центру
- Керівництво з експлуатації
- Технічні характеристики
- Список деталей і запасних частин
- Схема складання інструменту



**Також дану інформацію ви можете отримати, зателефонувавши за номером:
0 (800) 211 521 в Україні**

ВІДМІТКА ПРО ПРОВЕДЕННЯ СЕРВІСНОГО ОБСЛУГОВУВАННЯ

№1	№2	№3	№4
№ замовлення	№ замовлення	№ замовлення	№ замовлення
Дата прийому	Дата прийому	Дата прийому	Дата прийому
Дата ремонту	Дата ремонту	Дата ремонту	Дата ремонту
Печатка і підпис сервісного центру	Печатка і підпис сервісного центру	Печатка і підпис сервісного центру	Печатка і підпис сервісного центру

